

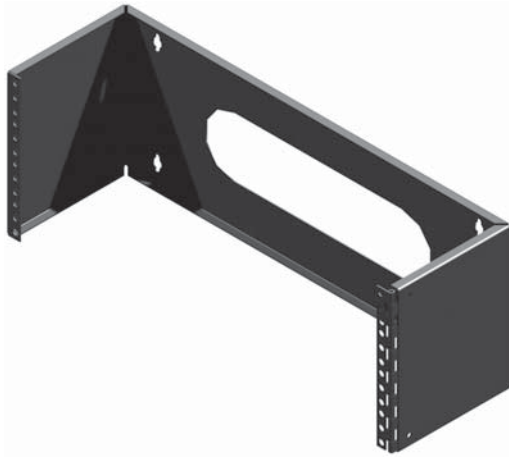
Formed & Knockdown Wall Racks

FWB, HPB & VPB Series

FWB Series - Economy Fixed Wall Bracket

- Hinged for easy rear access to devices.
- Fixed-depth of 6".
- 16 gauge formed steel.
- Rear cable access.
- Black powder paint finish.
- Static weight-load tested up to 70 lbs.
- Includes four (4) 10-32 black rack screws w/washers and clip nuts per rack unit.

| Part No. | Description | Contractor Pack |
|------------------|-----------------|---------------------|
| FWB191UBK | 1U Wall Bracket | FWB191UBK-12 |
| FWB192UBK | 2U Wall Bracket | FWB192UBK-12 |
| FWB194UBK | 4U Wall Bracket | FWB194UBK-12 |

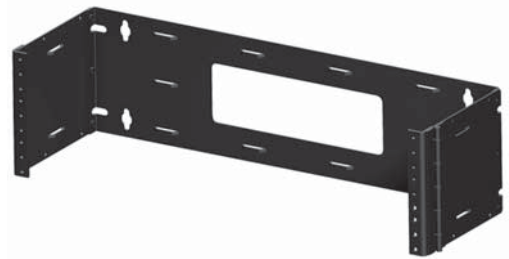


HPB Series - Heavy Duty Fixed Wall Bracket

- Knock-down design.
- Ships un-assembled (flat-pack).
- 14 gauge formed steel.
- Hinged for easy rear access to devices.
- Fixed-depth of 6".
- Multiple tie points for cable management.
- EIA compliant 10-32 tapped holes.
- Static weight-load tested up to 90 lbs.
- Black powder paint finish.

| Part No. | Description |
|--------------------|---------------------------|
| HPB19003BK1 | 2U Wall Bracket |
| HPB19005BK1 | 3U Wall Bracket |
| HPB19007BK1 | 4U Wall Bracket |
| PBCOVER | 6" Depth Dust cover/shelf |

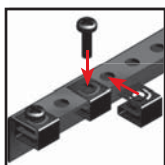
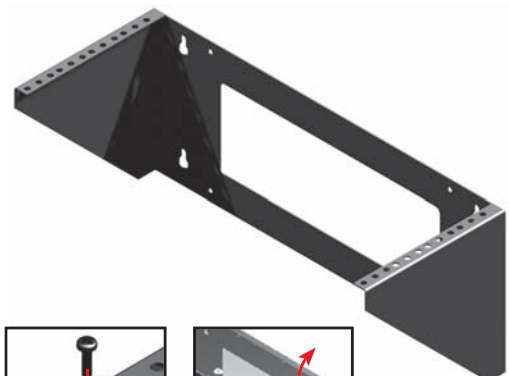
Includes 10 or 25-pack of 10-32 black rack screws w/washers and mounting template for easy installation.



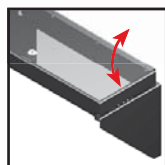
VPB Series - Heavy Duty Vertical Wall Bracket

- Available in 2U, 4U and 6U mounting depths.
- Includes generous rear cutout for cable entry.
- Four (4) wall mount keyholes included.
- 14-gauge formed construction.
- EIA compliant punched hole mounting rails are stronger than square holes.
 - Uses 10-32 clip nuts (includes starter pack of 10-32 clip nuts and screws).
- Recommended weight load tested for 135 lbs.
- Rugged textured black powder paint.

| Part # | Panel Height | | Overall Dimensions | | |
|------------------|--------------|-------|--------------------|--------|--------|
| | Inches | Units | Height | Width | Depth |
| VPB192UBK | 3.50 | 2 | 7.69" | 19.19" | 4.19" |
| VPB194UBK | 7.00 | 4 | 7.96" | 19.19" | 7.69" |
| VPB196UBK | 10.50 | 6 | 11.19" | 19.19" | 11.19" |



Clip nuts are easier to install when compared to square hole cage nuts.



Optional acrylic RMSC hinged panel cover prevents equipment from dust and tampering.

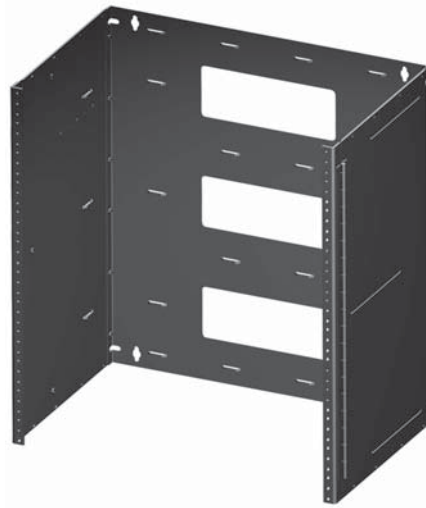
Data Communication Infrastructure

Technical references and CAD downloads available at www.hammondmfg.com

All dimensions in inches unless specified otherwise

Formed & Knockdown Wall Racks

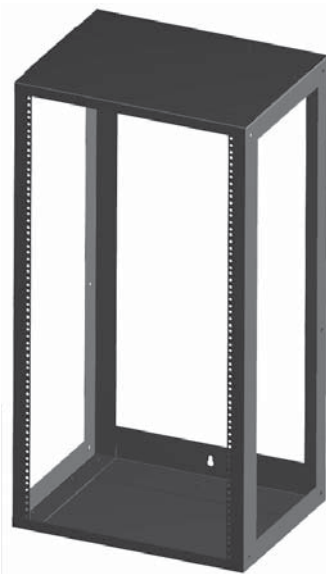
FWB, HPB & VPB Series



APB Series - Heavy Duty Adjustable Wall Bracket

- Knock-down design ships un-assembled (flat-pack).
- Mounting heights available in 4U, 6U, 8U and 12U.
- Available in two depths, from 12" to 18" using slots for easy set-up and adjusting.
- Includes generous rear cutout for cable entry.
- Four (4) wall mount keyholes included.
- Double-hinged for easy rear access.
- Multiple tie points for cable management.
- EIA compliant 10-32 tapped mounting rails.
 - Includes starter pack of 10-32 screws.
- Constructed of 14 gauge formed steel with a recommended weight load of 80 lbs.
- Professional smooth black powder paint.

| Part # | Panel Dimensions | | Overall Dimensions | | |
|-------------|------------------|-------|--------------------|--------|-----------|
| | Height | Units | Height | Width | Depth |
| APB19007BK1 | 7.00 | 4 | 6.98" | 19.25" | 12" - 18" |
| APB19010BK1 | 10.50 | 6 | 10.48" | 19.25" | 12" - 18" |
| APB19014BK1 | 14.00 | 8 | 13.98" | 19.25" | 12" - 18" |
| APB19021BK1 | 21.00 | 12 | 20.98" | 19.25" | 12" - 18" |



1459 Series - Open Frame

- EIA compliant 10-32 clip nuts mounting rails.
- Suitable for wall or table mounting (with open back).
- Removable top & bottom panels included.
- Four (4) wall mount keyholes included.
- Optional side panels sold separately.
- Comes with rubber feet for table mounting.
- Constructed of 16 gauge formed steel with a recommended weight load of 800 lbs.
- Rugged textured black powder paint finish.

| Part # | Panel Dimensions | | Overall Dimensions | | | Side Panels (Sold in Pairs) |
|----------|------------------|-------|--------------------|-------|--------|-----------------------------------|
| | Height | Units | Height | Width | Depth | |
| 1459FBK1 | 22.75 | 13 | 21.12" | 24.7" | 16.14" | 1459FQBK1 |
| 1459JBK1 | 33.25 | 19 | 21.12" | 35.2" | 16.14" | 1459JQBK1 |
| 1459MBK1 | 47.25 | 27 | 21.12" | 49.2" | 16.14" | 1459MQBK1 |