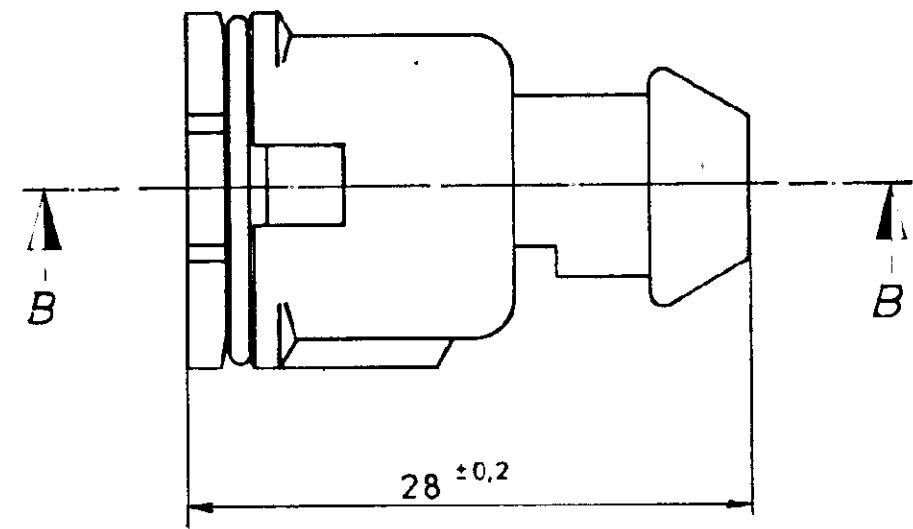
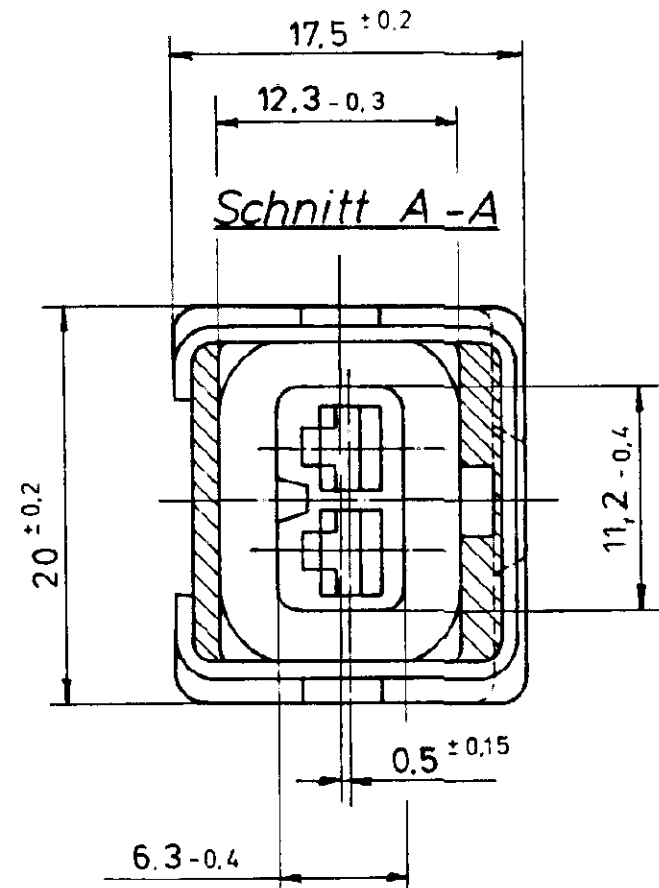
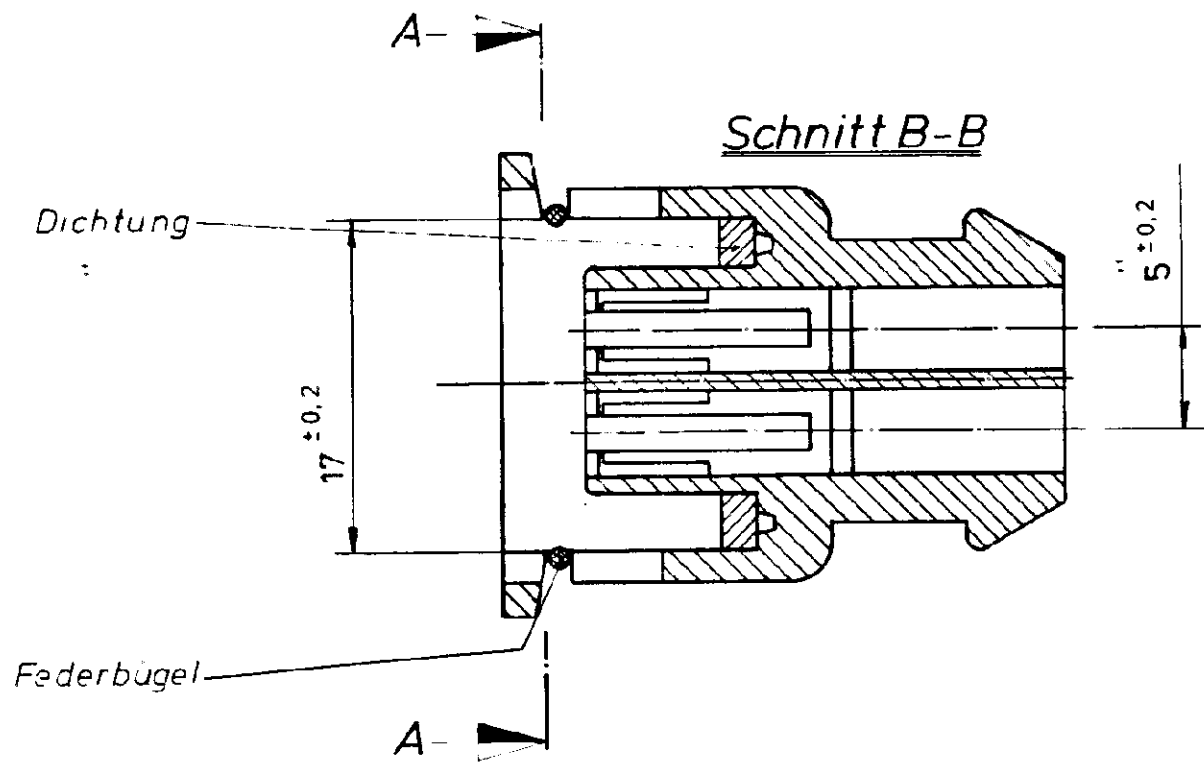


SEL 074



|               |         |                           |
|---------------|---------|---------------------------|
| 1-826 008 - 6 | braun   | PA 6 6 GV 30              |
| 1-826 008 - 5 | schwarz |                           |
| 1-826 008 - 3 | blau    |                           |
| 1-826 008 - 2 | grün    |                           |
| 1-826 008 - 1 | grau    | PA 6 6 GV 30              |
| 826 008 - 8   | gelb    | PA 6 6 GV 13 wahlw. GV 30 |
| 826 008 - 7   | weiß    |                           |
| 826 008 - 6   | braun   |                           |
| 826 008 - 5   | schwarz |                           |
| 826 008 - 3   | blau    |                           |
| 826 008 - 2   | grün    |                           |
| 826 008 - 1   | grau    | PA 6 6 GV 13 wahlw. GV 30 |
| Bestell-Nr.   | Farbe   | Material                  |

CUSTOMER COPY REFERENCE ONLY

|                    |                  |         |
|--------------------|------------------|---------|
| MATERIAL           | 18675 Slem.      | APV     |
| HEAT TREAT         | CHP 20 L 25 Jahn | PCL     |
| COATING OR PLATING | TE Connectivity  |         |
| TERMINAL           | FIRST USED       | REV     |
| Al                 | B                | 826 008 |
|                    |                  | G1      |

|    |                           |    |          |
|----|---------------------------|----|----------|
| G1 | REVISED PER ECO-11-005294 | RK | 07APR 11 |
| TR | REVISED PER               | DR | AP       |

NAME Zusammenstellung des 2 pol Buchsengeh. für Junior-Timer Kontakt