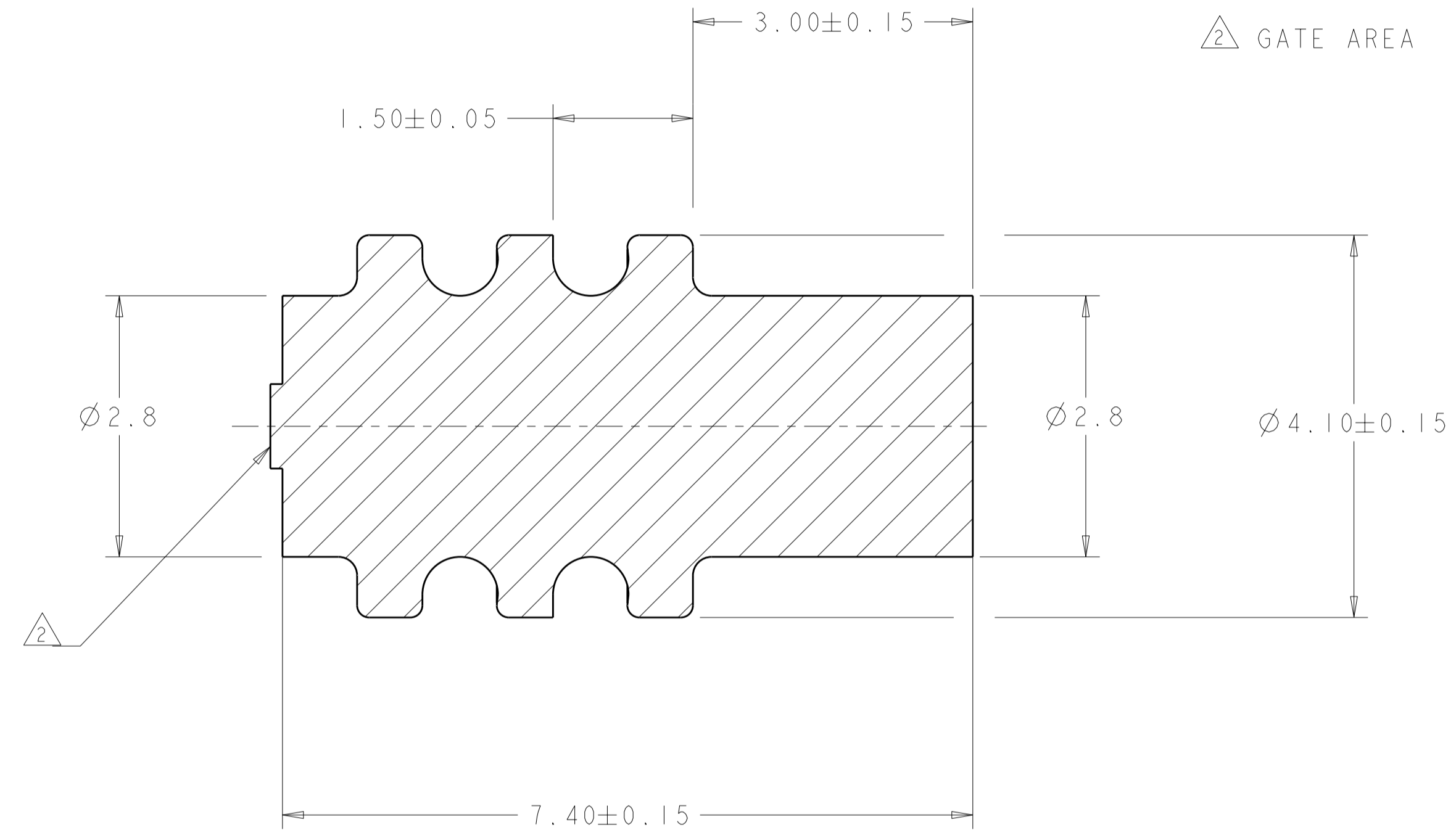
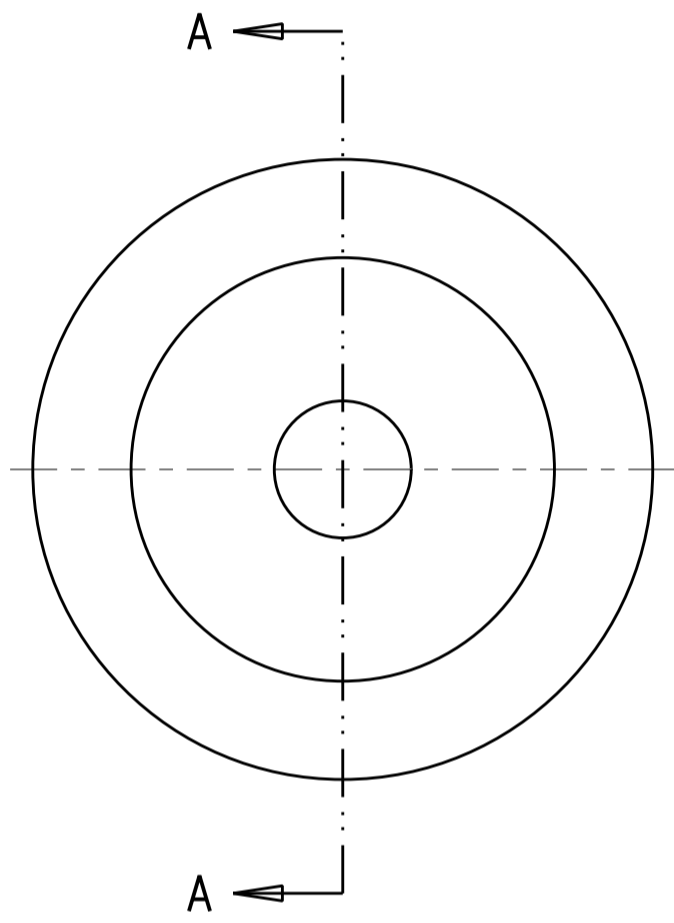


THIS DRAWING IS UNPUBLISHED. RELEASED FOR PUBLICATION 20
 © COPYRIGHT 20 BY TYCO ELECTRONICS CORPORATION. ALL RIGHTS RESERVED.

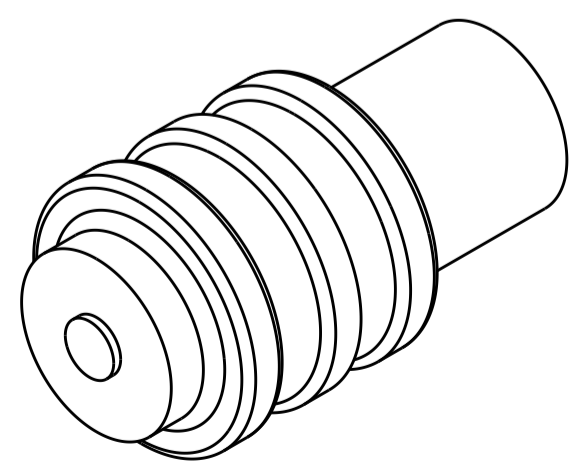
LOC	DIST	REVISIONS					
CM	00	P	LTR	DESCRIPTION	DATE	DWN	APVD
		D		REVISED PER ECR 11-001811	17MAR11	JR	TM

△ MATERIAL: SILICON RUBBER, BLACK.
 SELF LUBRICATING

△ GATE AREA



SECTION A-A



3 DIMENSIONAL VIEW
 SCALE 10:1

METRIC

794995-1
 PART NUMBER

THIS DRAWING IS A CONTROLLED DOCUMENT FOR TYCO ELECTRONICS CORPORATION. IT IS SUBJECT TO CHANGE AND THE CONTROLLING ENGINEERING ORGANIZATION SHOULD BE CONTACTED FOR THE LATEST REVISION.		DWN K. WHITAKER 21-NOV-2001	Tyco Electronics Harrisburg, PA 17105-3608	
DIMENSIONS: mm		CHK C. JONES 21-NOV-2001	NAME SINGLE CAVITY PLUG SEAL, MINI UNIVERSAL MATE-N-LOK™	
TOLERANCES UNLESS OTHERWISE SPECIFIED: 0 PLC ± 1 PLC ±0.3 2 PLC ± 3 PLC ± 4 PLC ± ANGLES ±2° FINISH		APVD C. JONES 21-NOV-2001	PRODUCT SPEC -	RESTRICTED TO -
MATERIAL △		APPLICATION SPEC -	WEIGHT -	SIZE A2
		CUSTOMER DRAWING	SCALE 20:1	CAGE CODE 00779
			DRAWING NO 794995	SHEET 1
				OF 1
				REV D