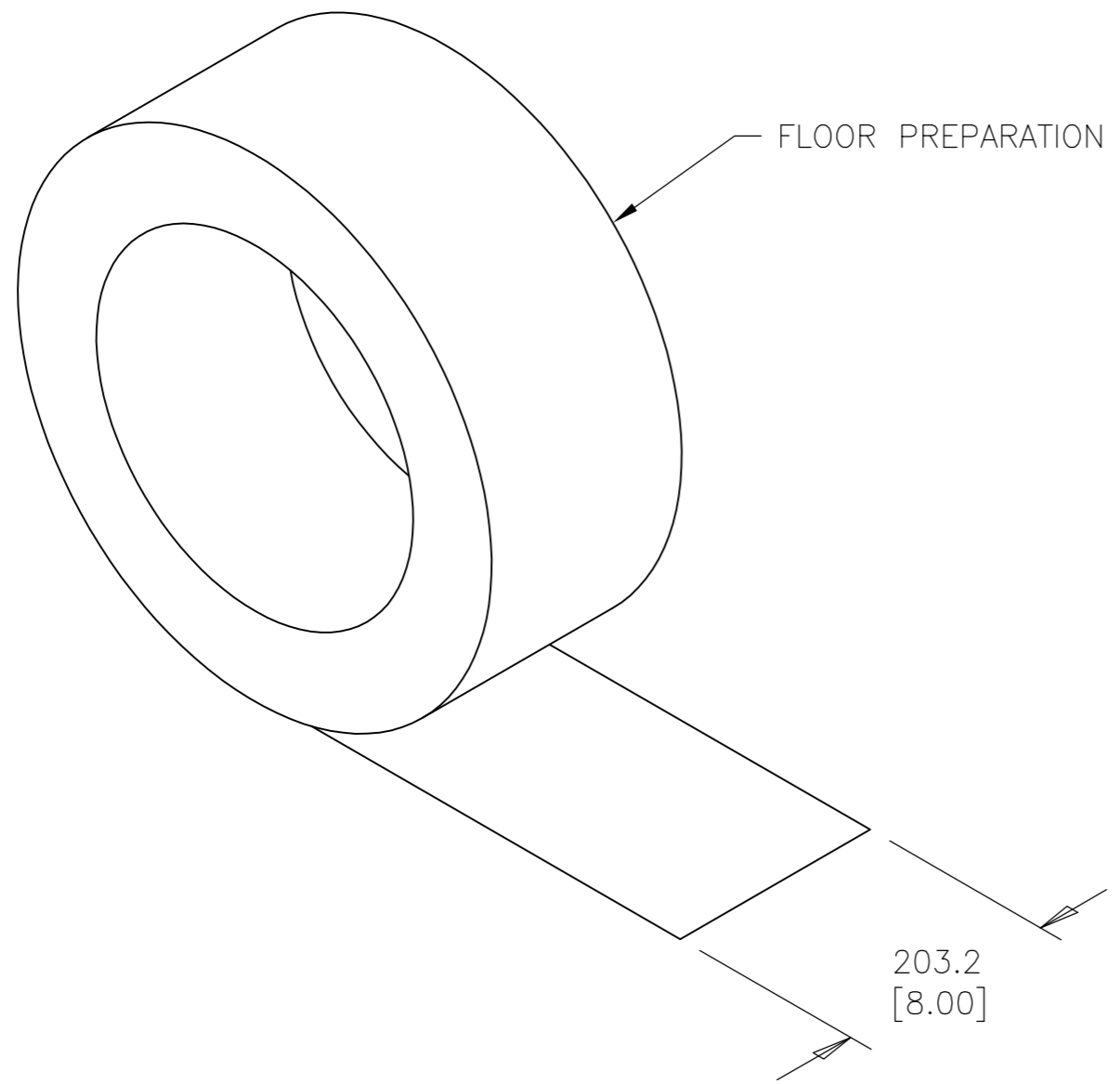


THIS DRAWING IS UNPUBLISHED. RELEASED FOR PUBLICATION
 © COPYRIGHT BY TYCO ELECTRONICS CORPORATION. ALL INTERNATIONAL RIGHTS RESERVED.

LOC	DIST	REVISIONS					
		P	LTR	DESCRIPTION	DATE	DWN	APVD
HM	00		B	REV ECO-08-016211	22JUL08	LH	SJ



1. ALL DIMENSIONS SHOWN ARE FOR REFERENCE ONLY UNLESS OTHERWISE SPECIFIED.
2. MATERIAL: POLYVINYL CHLORIDE SHEET, YELLOW, .010 THICK.
3. APPLICATION: PROVIDES A SMOOTH, EVEN SURFACE FOR UNDERCARPET POWER CABLE (TYPE FCC) INSTALLATION. REQUIRED FOR SLAB-ON-GRADE INSTALLATIONS. REFER TO INSTRUCTION SHEET 408-3154 FOR ADDITIONAL INSTALLATION INFORMATION.

30.5 [100]	554123-4
15.2 [50]	554123-3
76.2 [250]	554123-1
LENGTH M [FT]	PART NO.

THIS DRAWING IS A CONTROLLED DOCUMENT.		DWN L. HALL 22JUL2008	Tyco Electronics Corporation Harrisburg, PA 17105-3608												
DIMENSIONS: mm [INCHES]		CHK S. JONES 22JUL2008	NAME PREPARATION, FLOOR, UC												
TOLERANCES UNLESS OTHERWISE SPECIFIED:		APVD S. JONES 22JUL2008	PRODUCT SPEC -												
<table border="0"> <tr><td>0 PLC</td><td>± -</td></tr> <tr><td>1 PLC</td><td>± -</td></tr> <tr><td>2 PLC</td><td>± -</td></tr> <tr><td>3 PLC</td><td>± -</td></tr> <tr><td>4 PLC</td><td>± -</td></tr> <tr><td>ANGLES</td><td>± -</td></tr> </table>		0 PLC	± -	1 PLC	± -	2 PLC	± -	3 PLC	± -	4 PLC	± -	ANGLES	± -	APPLICATION SPEC -	
0 PLC	± -														
1 PLC	± -														
2 PLC	± -														
3 PLC	± -														
4 PLC	± -														
ANGLES	± -														
MATERIAL -	FINISH -	WEIGHT -	SIZE A3	RESTRICTED TO -											
		CAGE CODE 00779		DRAWING NO 554123											
		SCALE NTS		SHEET 1 OF 1											
		CUSTOMER DRAWING		REV B											