

CODE	DIM "M" MATING LENGTH	CONTACT TYPE
PC	[N/A]	POWER
G	[6.86]	SIGNAL
HA	[N/A]	HOLD-DOWN

spec ref	See Notes	dr	Wei-Long Zhang	2010/09/21	projection	MM	size	A4	scale	1:1			
tolerance std	TOLERANCES UNLESS OTHERWISE SPECIFIED	eng	Guang, Shi	2011/08/08			ecn no	ELX-DG-004880-1					
See Notes		chr	Tian-Xu Huang	2011/08/17				product family	PwrBlade	rel level	Released		
surface ✓		appr	Pei-Ming Zheng	2011/08/17								2ACP + 8S + 2ACP VERTICAL PRESS FIT HEADER	www.fci.com
linear	0.X	±0.50	title 51963-062 rev C	dwg no 51963-062									
	0.XX	±0.25											
angular	0°	±2°											

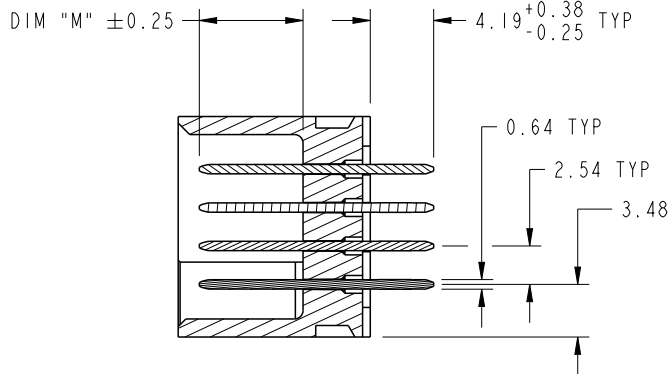
PrdE File - REV C - 2009-06-09



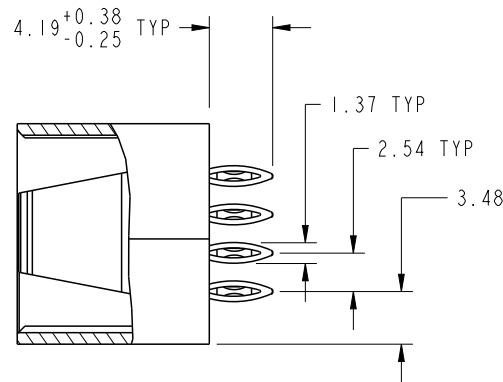
Copyright FCI.

PRODUCT NUMBER

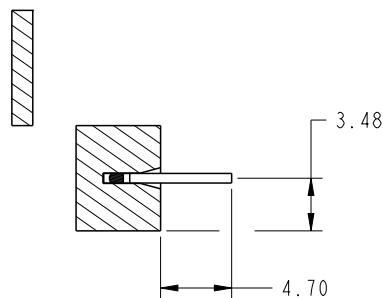
51963-062__
NOTE 3



SECTION A-A
SCALE 2:1



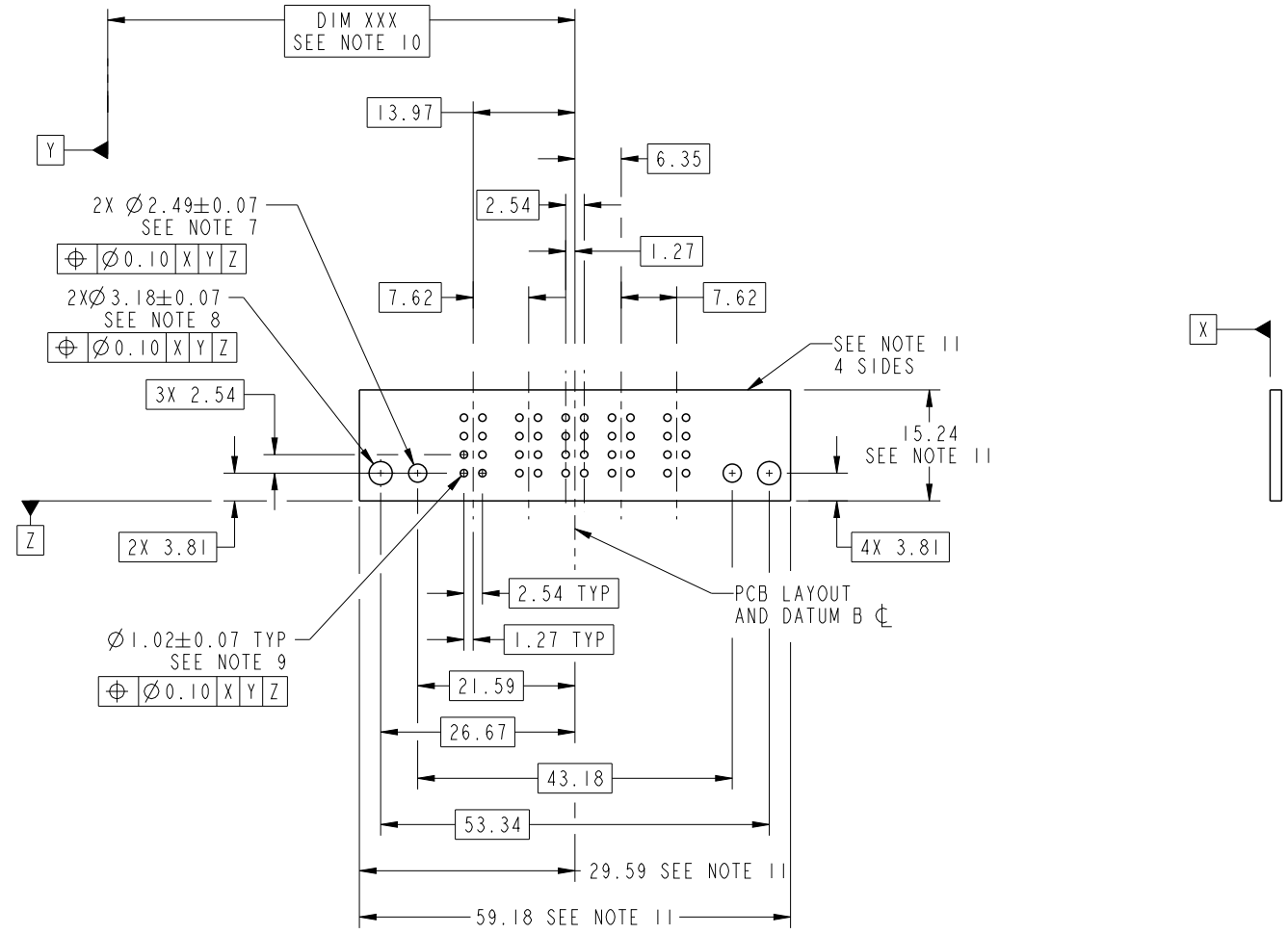
SECTION B-B
SCALE 2:1



SECTION C-C
SCALE 2:1

spec ref		See Notes		dr	Wei-Long Zhang	2010/09/21	projection 	MM 	size	A4	scale	1:1		
tolerance std		TOLERANCES UNLESS OTHERWISE SPECIFIED		eng	Guang, Shi	2011/08/08			ecn no	ELX-DG-004880-1				
See Notes				chr	Tian-Xu Huang	2011/08/17			product family	PwrBlade				
surface		linear	0.X	±0.50	FCI 	title	2ACP + 8S + 2ACP VERTICAL PRESS FIT HEADER	dwg no	51963-062	rel level	Released			
			0.XX	±0.25							www.fci.com	cat. no.	Product - Customer Drw	sheet 2 of 4
			0.XXX	±0.10										
		angular	0°	±2°										

PRODUCT NUMBER
51963-062--
NOTE 3



Copyright FCI.

spec ref	See Notes			dr	Wei-Long Zhang	2010/09/21	projection 	MM 	size	A4	scale	1:1			
tolerance std	TOLERANCES UNLESS OTHERWISE SPECIFIED			eng	Guang, Shi	2011/08/08			ecn no	ELX-DG-004880-1					
See Notes				chr	Tian-Xu Huang	2011/08/17			rel level	Released					
surface	linear	0.X	±0.50	FCI 	www.fci.com	part no	2ACP + 8S + 2ACP	dwg no	51963-062	rev	C	cat. no.	Product - Customer Drw	sheet 3 of 4	
		0.XX	±0.25												
		0.XXX	±0.10												
	angular	0°	±2°												

PrdE File - REV C - 2009-06-09

PRODUCT NUMBER

51963-062__
NOTE 3

NOTES:

1. DIMENSIONS AND TOLERANCES ARE IN ACCORDANCE WITH ASME Y14.5M, 1994 UNLESS OTHERWISE SPECIFIED.

CONNECTOR NOTES:

- ② HOUSING MATERIAL: UL 94 V-0 GLASS FILLED HIGH-TEMP THERMOPLASTIC
POWER CONTACT MATERIAL: COPPER ALLOY
SIGNAL PIN MATERIAL: COPPER ALLOY
- 3. PLATING:
SEE ITEM 3 & 4 IN PRINT 10064183 FOR PLATING SPEC OF 51963-062; 51963-062LF PRESPECTIVELY
- ④ MANUFACTURER'S NAME, DATE CODE AND OPTIONAL P/N TO APPEAR ON THIS SURFACE. THE P/N CAN BE OMITTED IF THERE IS NOT ENOUGH SPACE ON THIS SURFACE.
- 5. PRODUCT SPECIFICATION GS-12-149.
APPLICATION SPECIFICATION BUS-20-067.

6. PACKAGED IN TRAYS.

PCB NOTES:

- 7. ALL HOLE DIAMETERS ARE FINISHED HOLE SIZE.
- 8. MOUNTING HOLES, WHERE APPLICABLE, ARE UNPLATED.

CUSTOMER SUPPLIES (2) #4-40 UNC SCREWS, HARDWARE TO MOUNT HEADER TO PC BOARD

- ⑨ $\varnothing 1.151 \pm 0.025$ DRILLED HOLES PLATED WITH
0.008 MIN SnPb OR Sn OVER .001 [0.03]
TO 0.08 Cu PLATING TO ACHIEVE
 $\varnothing 1.02 \pm 0.07$ HOLE.
- ⑩ "DIM XXX" TO BE DETERMINED BY THE CUSTOMER.
- ⑪ CONNECTOR KEEP-OUT ZONE.
- 12. FOR PRESS FIT APPLICATION USE FCI CAM TOOL 430169-XXX.

spec ref		See Notes		dr	Wei-Long Zhang	2010/09/21	projection 	MM 	size	A4	scale	1:1
tolerance std		TOLERANCES UNLESS OTHERWISE SPECIFIED		eng	Guang, Shi	2011/08/08			ecn no	ELX-DG-004880-1		
See Notes				chr	Tian-Xu Huang	2011/08/17				rel level		Released
surface		linear		appr	Pei-Ming Zheng	2011/08/17	product family		PwrBlade	rev		
		0.X		FCI		title		2ACP + 8S + 2ACP		dwg no		51963-062
		0.XX		www.fci.com		cat. no.		Product - Customer Drw		sheet 4 of 4		C
		0.XXX										
		angular										
		0°										
		± 0.50										
		± 0.25										
		± 0.10										
		$\pm 2^\circ$										