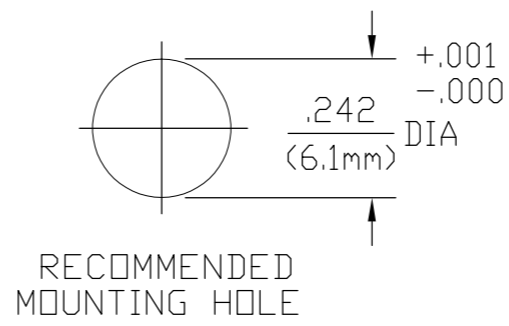
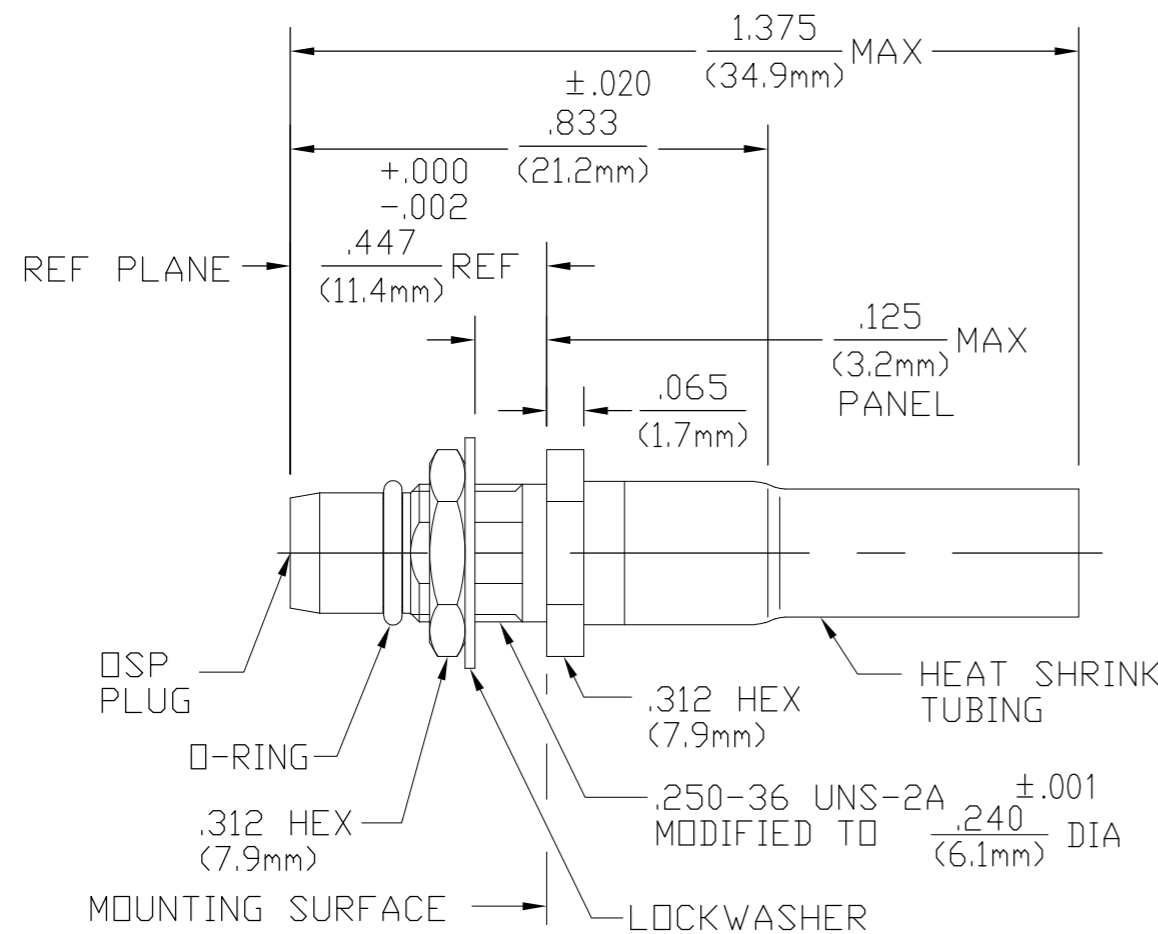


THIS DRAWING IS UNPUBLISHED. RELEASED FOR PUBLICATION  
 © COPYRIGHT BY TYCO ELECTRONICS CORPORATION. ALL INTERNATIONAL RIGHTS RESERVED.

LOC		DIST		REVISIONS			
P	LTR	DESCRIPTION		DATE	DWN	APVD	
	A	REV PER ECO 08-021971		20NOV08	PK	WM	



DESIGNED FOR USE WITH RG 142/U & SIMILAR CABLES	
CABLE ENTRY DIAMETER MINIMUM	
HOUSING	.122
FERRULE	.216
CONTACT	.042

COMPONENT	MATERIAL	FINISH
HOUSING MOUNTING NUT LOCKWASHER	STAINLESS STEEL PER ASTM-A484 AND ASTM-A582, TYPE 303	PASSIVATE PER ASTM-A380
DIELECTRIC	TFE FLUOROCARBON PER ASTM-D-1457	N/A
CENTER CONTACT	BERYLLIUM COPPER PER ASTM B 196, ALLOY C17300, CONDITION H	GOLD PLATE PER MIL-G-45204 OVER COPPER PLATE PER MIL-C-14550
"O" - RING	NITRILE (BUNA-N) PER MIL-P-25732	N/A
SHRINK TUBING	HEAT SHRINKABLE POLYOLEFIN COMPOUND MIL-I-23053/4	N/A
FERRULE	COPPER OR BRASS ALLOY ROCKWELL F65 MAXIMUM	GOLD PLATE PER MIL-G-45204 OVER COPPER PLATE PER MIL-C-14550

ELECTRICAL	MECHANICAL	ENVIRONMENTAL
Nominal Impedance (Ohms) <u>50</u>	Interface Dimensions Per MIL-STD-348A FIG 321-1	TEMPERATURE RATING -65° TO +125°C
Frequency Range (GHz) <u>DC to 12.4</u>	Force to Engage (In-Lbs MAX) <u>3.0</u> & Disengage (In-Lbs MAX) <u>1.5</u>	Vibration MIL-STD-202, Method 204, Condition D
Volt Rating (VRMS MAX) @ Sea Level <u>335</u>	Center Contact Captivation Axial (Lbs) <u>6.0</u>	Shock MIL-STD-202, Method 213, Condition I
VSWR <u>1.15+0.01f(GHz)</u> DC to 12.4 GHz	Cable Retention Axial Force (Lbs MIN) <u>45.0</u>	Thermal Shock MIL-STD-202, Method 107, Condition B
Insertion Loss (dB MAX) <u>.03x √f(GHz)</u>	Weight (Grams) <u>TBD</u>	Except High Temp Shall Be +115°C
RF Leakage (dB MIN) (Fully Mated) <u>-(85-f(GHz))</u>		Moisture Resistance MIL-STD-202, Method 106, Except Step 7b Shall Be Omitted
Corona, 70,000 Ft (VRMS MIN) <u>250</u>		Corrosion - MIL-STD-202, Method 101, Condition B
Dielectric Withstanding Voltage (VRMS MIN) @ Sea Level <u>1000</u>		
Contact Resistance (Milliohms MAX) Center Contact <u>3.0</u> Outer Contact <u>2.0</u> Cable to Housing <u>0.5</u>		
RF High Potential @ Sea Level (VRMS MIN @ 5 MHz) <u>670</u>		
I.R.(Megohms MIN) <u>5000</u>		

THIS DRAWING IS A CONTROLLED DOCUMENT.

DIMENSIONS: INCHES	TOLERANCES UNLESS OTHERWISE SPECIFIED: 0 PLC ± - 1 PLC ± - 2 PLC ± - 3 PLC ± .005 4 PLC ANGLES ± - ± 1'	DWN MH/M 11-5-87 CHK MH/M 11-5-87 APVD D. CAM 11-5-87	Tyco Electronics Corporation Harrisburg, PA 17105-3608
MATERIAL: SEE TABLE	FINISH: SEE TABLE	PRODUCT SPEC: - APPLICATION SPEC: - WEIGHT: -	

NAME: OSP BULKHEAD FEEDTHROUGH CABLE PLUG - CRIMP ATTACHMENT

SIZE: A3	CAGE CODE: 00779	DRAWING NO: C-1059519	RESTRICTED TO: -
----------	------------------	-----------------------	------------------

CUSTOMER DRAWING SCALE: 3:1 SHEET: 1 OF 1 REV: A