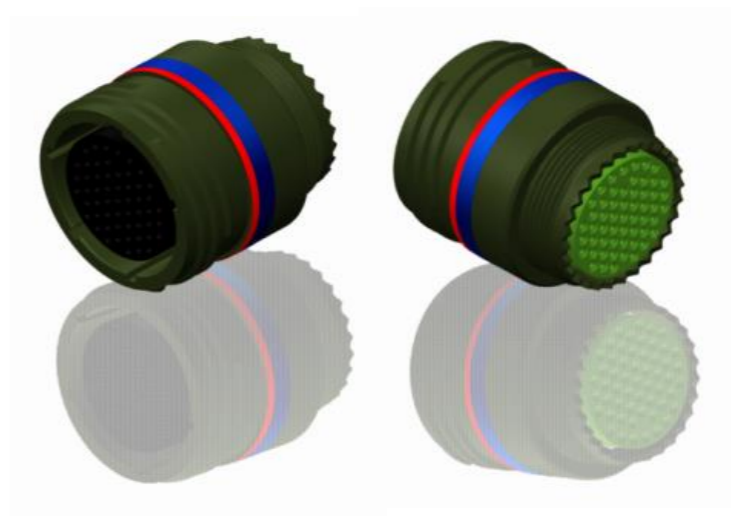
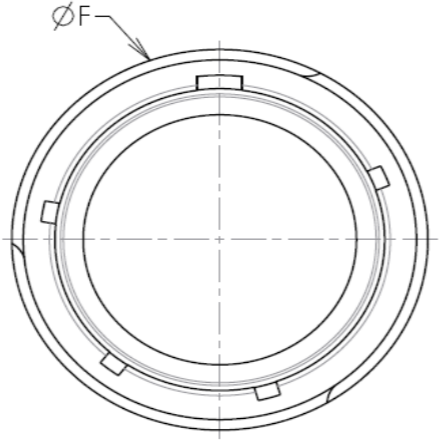
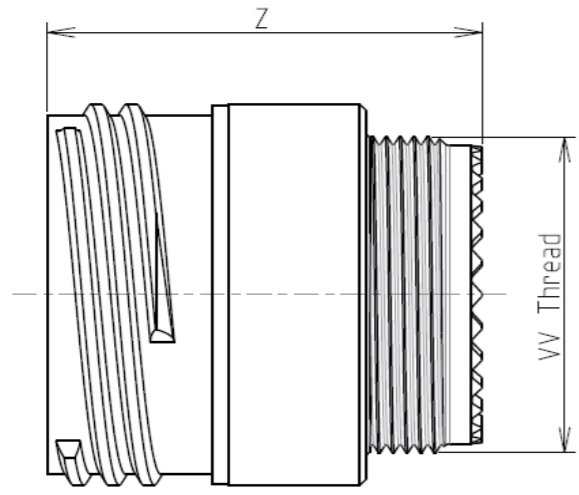


H G F E D C B A

4
3
2
1

4
3
2
1



LAYOUT SHOWN AS EXAMPLE

Keying Shown as example

CHARACTERISTICS

- Standard : Based on MIL-DTL-38999 Series III
- Shell Material : Aluminium
- Shell Plating : Olive drab Cadmium
- Insulator : Thermoplastic
- Contacts : Copper Alloy
- Seals & Grommet : Silicon Elastomer
- Contact Plating : Gold over copper Alloy 0.8µm minimum
- Durability : 500 Mating cycles
- Delivered with Souriau contacts and Accessories
- Temperature Range : -65°C to +175°C
- Salt Spray : 500 hours

Connector dimension	
Dim	Nominal
F	35 Max
Z	31.5 Max
VV THREAD	M31x1-6g

SOURIAU shall not be liable for any non-conformity or damage due to a use of the Products which does not comply with the Specifications issued by either of the Parties or by a third party (professional recommendation, technical notice.)

Country	Jurisdiction & Control List
FR	Not Listed

PN: 8D121W16SA

A	23-09-2016	First Release	
ISS	DATE	Latest modification - by	MOD N°
Designed By:		Date:	CUSTOMER DRAWING

BASIC SERIES:	8D	1	-	21	W	16	S	A	
SHELL TYPE :	In line Receptacle								
CONTACT TYPE :	Standard Crimp Contact								
SHELL SIZE :	21								
PLATING :	W = Olive drab Cadmium								
					ORIENTATION : A		CONTACT TYPE : SOCKET(500 Matings)		
					CONTACT LAYOUT : 21-16				

TITLE	Aluminium Inline plug 8D series		
SCALE	NA	General linear Tolerances: ±--	NPRDS / PROJECT 859
SOURIAU	WWW.SOURIAU.COM		This document is the property of SOURIAU it must not be reproduced or communicated without permission
FORMAT	A3		SOURIAU DRG N° 8D121W16SA-C
			SHEET 1/2

H G F E D C B A

Contact Layout



Contacts (Insert arrangement 21-16)					
Contact position ID	Location		Contact position ID	Location	
	X-axis	Y-axis		X-axis	Y-axis
A	+118 (3.00)	+322 (8.18)	J	-341 (8.66)	+036 (0.91)
B	+271 (6.88)	+211 (5.36)	K	-271 (6.88)	+211 (5.36)
C	+341 (8.66)	+036 (0.91)	L	-118 (3.00)	+322 (8.18)
D	+308 (7.82)	-150 (3.81)	M	+000 (0.00)	+175 (4.45)
E	+182 (4.62)	-290 (7.37)	N	+154 (3.91)	+062 (1.57)
F	+000 (0.00)	-343 (8.71)	P	+094 (2.39)	-122 (3.10)
G	-182 (4.62)	-290 (7.37)	R	-094 (2.39)	-122 (3.10)
H	-308 (7.82)	-150 (3.81)	S	-154 (3.91)	+062 (1.57)

Shell size	Arrangement no.	Number of contacts	Size contacts	Service rating	Contact location	Supersedes
21	-16	16	16	II	All	MS20055-16

SOURIAU shall not be liable for any non-conformity or damage due to a use of the Products which does not comply with the Specifications issued by either of the Parties or by a third party (professional recommendation, technical notice.)

Country	Jurisdiction & Control List
FR	Not Listed

PN: 8D121W16SA

A	23-09-2016	First Release	
ISS	DATE	Latest modification - by	MOD N°
Designed By:		Date:	CUSTOMER DRAWING
TITLE	Aluminium Inline plug 8D series		
SCALE		General linear Tolerances:	NPRDS / PROJECT
NA		±--	859
SOURIAU	WWW.SOURIAU.COM		This document is the property of SOURIAU it must not be reproduced or communicated without permission
FORMAT	SOURIAU DRG N° 8D121W16SA-C		SHEET 2/2