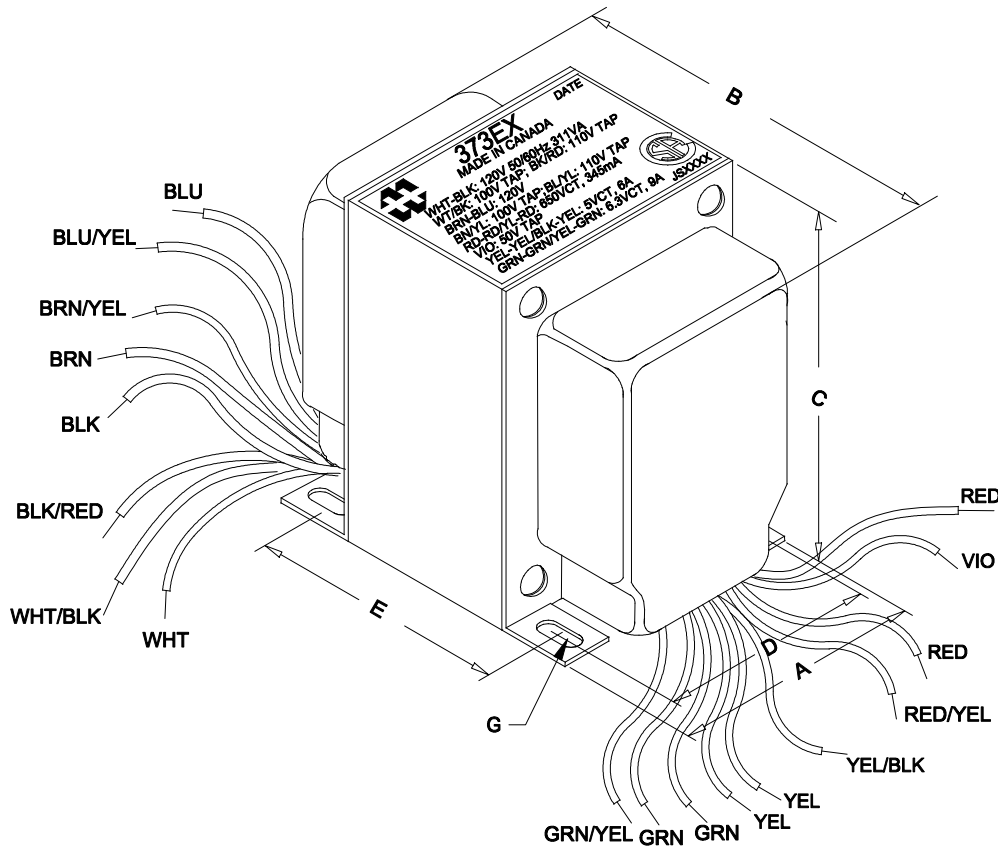
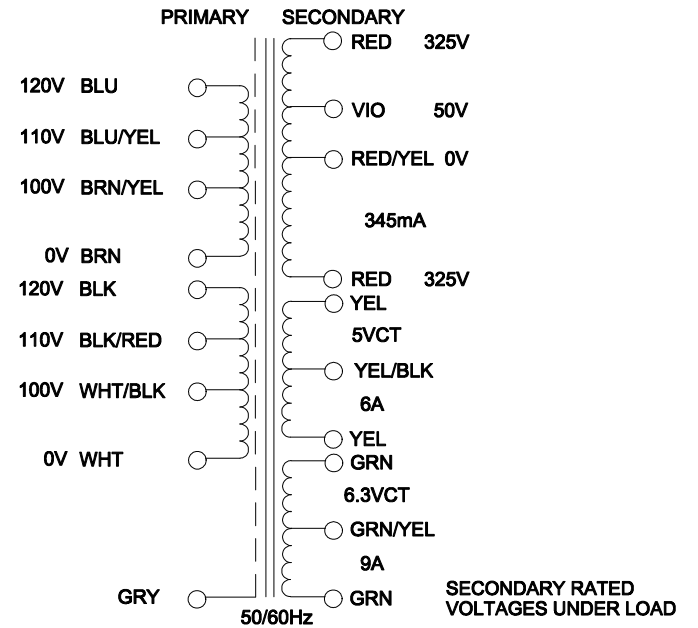


DIMENSIONS:	
A	4.375" ±0.063
B	4.846" ±0.125
C	5.300" ±0.063
D	3.500" ±0.063
E	3.250" ±0.063
G	0.281" x 0.625" ±0.015



NOTE: ALL LEADS 8" OUT MIN.



ELECTRICAL DATA:		
TESTS	CONDITIONS	ACCEPTANCE CRITERIA
I _{ex}	@ 120V, 60Hz, WHT - BLK	294mA Max.
Sec. N.L.V	@ 120V, 60Hz, WHT - BLK	
	RED - RED =	679.5V ±2%
	RED - RED/YEL = RED/YEL - RED =	339.7V ±2%
	RED/YEL - VIO =	52.60V ±2%
	YEL - YEL =	5.479V ±2%
	YEL - YEL/BLK = YEL/BLK - YEL =	2.740V ±2%
	GRN - GRN =	6.575V ±2%
	GRN - GRN/YEL = GRN/YEL - GRN =	3.288V ±2%
DCR	@ 20°C, WHT - BLK =	1.505 Ω ±20%
	@ 20°C, BRN - BLU =	1.660 Ω ±20%
	@ 20°C, RED - RED =	42.11 Ω ±20%
	@ 20°C, YEL - YEL =	0.023 Ω ±20%
	@ 20°C, GRN - GRN =	0.014 Ω ±20%
HIPOT	PRIMARY - SECONDARY	2500V, 60Hz, 1 SEC

REV.#	REVISION	DATE	HAMMOND ELECTRONIC DIVISION		52 RANKIN PLACE, WATERLOO, ONTARIO, N2J 3Z5		PH # (519) 886-6181
0	RELEASED.	01/19/10	MANUFACTURING™				FAX # (519) 886-9540
			DWG. BY: C. ILIE	CHK'D BY:	TITLE: POWER TRANSFORMER	DWG. NO. 373EX	
			DATE: 01/19/10	APP'D. BY:			
				DIMENSIONS: IN(X) MM()			