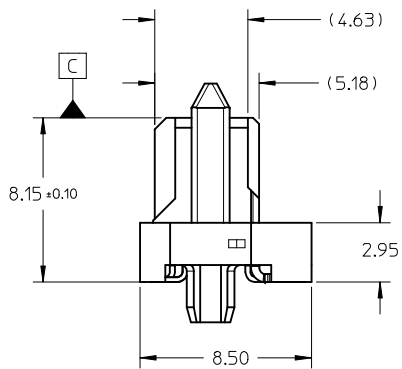
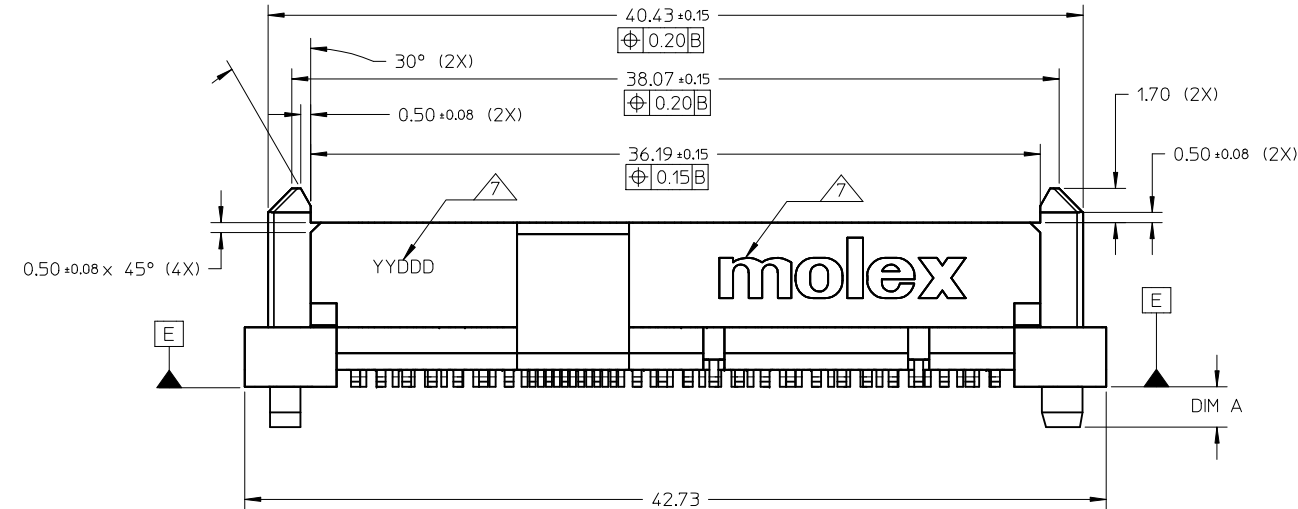


- NOTES:
- MATERIALS:  
HOUSING: LCP, GLASS FILLED, UL94V-0, COLOR: BLACK  
TERMINALS & SMT CLIPS: COPPER ALLOY
  - FINISHES:  
TERMINALS:  
0.76µM MIN GOLD ON CONTACTS OVER 1.27µM MIN NICKEL UNDERPLATE.  
2.54µM MIN TIN ON SOLDER TAIL OVER 1.27µM MIN NICKEL UNDERPLATE.  
SMT CLIPS:  
2.54µM MIN TIN OVER 1.27µM MIN NICKEL UNDERPLATE
  - PRODUCT SPECIFICATION: PS-78757-001
  - PACKAGING SPECIFICATION: PK-78757-001
  - REFER TO AS-78757-001 FOR PCB ROUTING RECOMMENDATIONS.
  - NON FUNCTIONAL CORING TO VARIES.
  - MOLEX LOGO, DATE CODE AND CAVITY ID TO BE LOCATED APPROXIMATELY AS SHOWN.
  - PRODUCT IS COMPLIANT TO RoHS DIRECTIVE WITH THE FOLLOWING BANNED SUBSTANCES - LEAD, MERCURY, CADMIUM, HEXAVALENT CHROMIUM, POLYBROMINATED BIPHENYLS AND POLYBROMINATED DIPHENYL ETHERS.



THIS DESIGN IS BASED ON DESIGN OBJECTIVES AND IS STRICTLY TENTATIVE. IT MAY CHANGE BASED ON RESULTS OF ADDITIONAL DESIGN REVIEWS & VERIFICATIONS.

|                   |            |
|-------------------|------------|
| ADD CAVITY ID     | 2014/09/13 |
| EC NO: S2015-0266 | 2014/09/30 |
| DRWN:SKANG        | 2014/09/30 |
| CHKD:GWANG25      | 2014/10/02 |
| APPR:SHONG        |            |

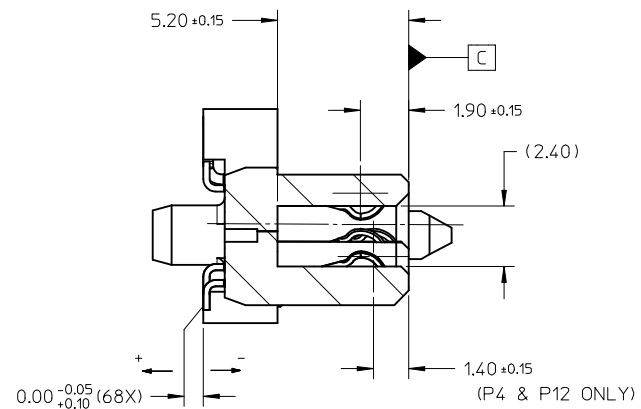
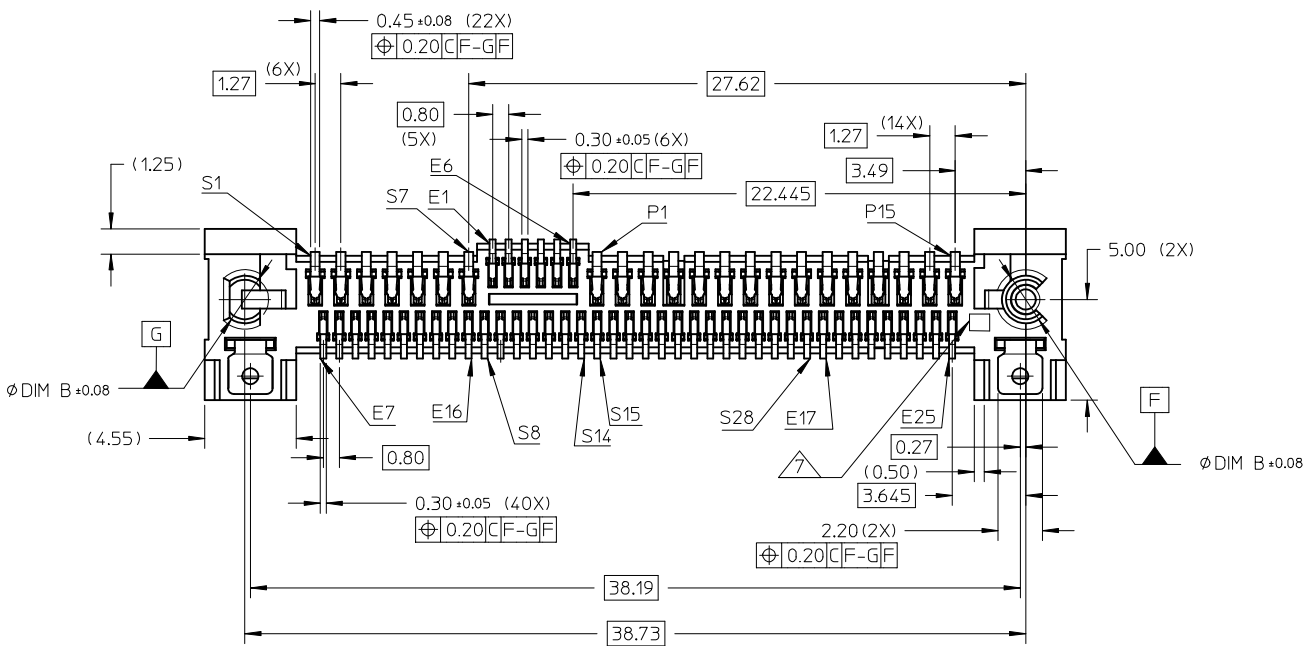
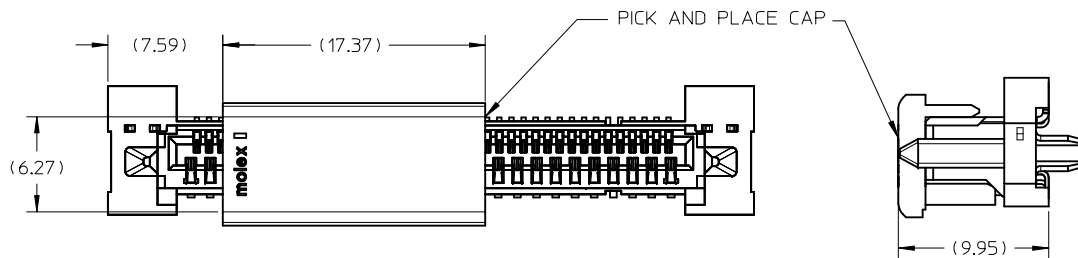
| REV | DESCRIPTION |
|-----|-------------|
| 7   |             |

| QUALITY SYMBOLS | GENERAL TOLERANCES (UNLESS SPECIFIED)                |
|-----------------|--|
| $F_A=0$         | mm   |
| $F_G=0$         | INCH   |
| $F_P=0$         | 4 PLACES ± --- ± ---                                 |
|                 | 3 PLACES ± --- ± ---                                 |
|                 | 2 PLACES ± 0.20 ± ---                                |
|                 | 1 PLACE ± --- ± ---                                  |
|                 | 0 PLACE ± --- ± ---                                  |
|                 | ANGULAR ± 3 °  |
|                 | DRAFT WHERE APPLICABLE MUST REMAIN WITHIN DIMENSIONS |

| DIMENSION STYLE |            |
|-----------------|------------|
| MM ONLY         |            |
| DRAWN BY        | DATE       |
| CGOH            | 2012/05/25 |
| CHECKED BY      | DATE       |
| GMENARLY        | 2012/10/17 |
| APPROVED BY     | DATE       |
| BOKOK           | 2012/10/17 |
| MATERIAL NO.    |            |
| SEE TABLE       |            |
| SIZE            |            |
| A3              |            |

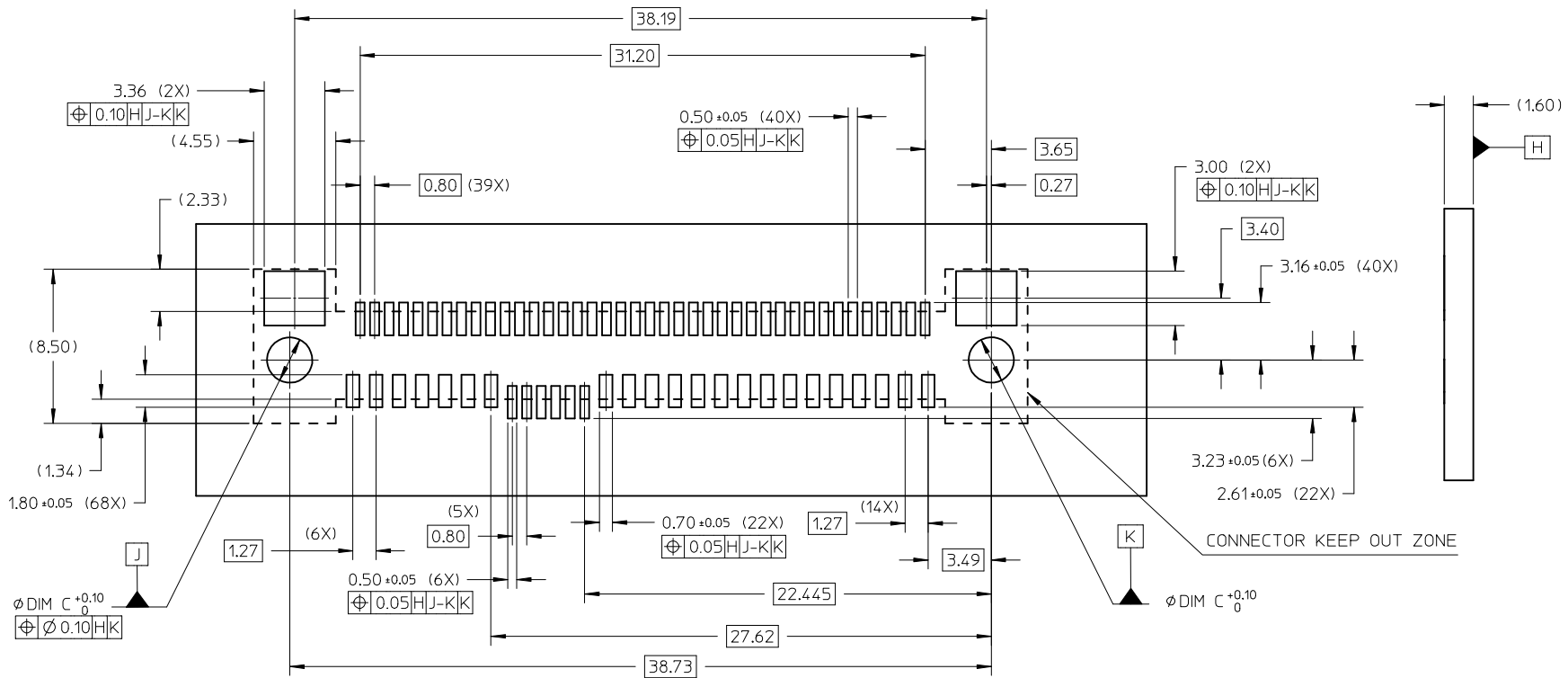
| SCALE  | DESIGN UNITS | THIRD ANGLE PROJECTION |
|--|--------------|------------------------|
| NTS  | METRIC       |                        |
| TITLE  |              |                        |
| SAS/PCIE<br>STD HEIGHT BACKPLANE SMT<br>RECEPTACLE (SMT MOUNT) |              |                        |
| <b>molex</b>   |              |                        |
| MATERIAL NO.   | DOCUMENT NO. | SHEET NO.              |
|  | SD-78757-001 | 1 OF 3                 |

| PART NO.   | PACKAGING SPECIFICATION | PACKAGING     | DIM A | DIM B | DIM C |
|------------|-------------------------|---------------|-------|-------|-------|
| 78757-0001 | PK-78757-001            | TAPE AND REEL | 2.00  | ø2.36 | ø2.50 |
| 78757-0002 | PK-78757-002            | TRAY          |       |       |       |
| 78757-0004 | PK-78757-001            | TAPE AND REEL | 1.00  | ø1.26 | ø1.40 |
| 78757-0005 | PK-78757-002            | TRAY          |       |       |       |
| 78757-0006 | PK-78757-001            | TAPE AND REEL | 1.00  | ø0.80 | ø0.90 |

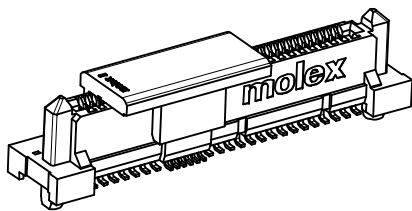


SECTION Z-Z

|   |   |  |          |                                   |  |                               |  |  |  |
|---|---|--|----------|-----------------------------------|--|-------------------------------|--|--|--|
| <b>ADD CAVITY ID</b><br>EC NO: S2015-0266<br>DRWN:SKANG<br>CHKD:CWANG/5<br>APPR:SHONG<br>2014/09/13<br>2014/09/30<br>2014/10/02 | <b>QUALITY SYMBOLS</b><br>$F_A=0$<br>$F_G=0$<br>$F_P=0$ | <b>GENERAL TOLERANCES (UNLESS SPECIFIED)</b>               |          | <b>DIMENSION STYLE</b><br>MM ONLY | <b>SCALE</b><br>NTS  | <b>DESIGN UNITS</b><br>METRIC | THIRD ANGLE PROJECTION   |  |  |
|   |   |  | mm       | INCH                              | <b>DRAWN BY</b><br>CGOH  | <b>DATE</b><br>2012/05/25     | <b>TITLE</b><br>SAS/PCIE<br>STD HEIGHT BACKPLANE SMT<br>RECEPTACLE (SMT MOUNT) |  |  |
|   |   |  | 4 PLACES | ± ---                             | ± ---  | <b>CHECKED BY</b><br>GMENARLY | <b>DATE</b><br>2012/10/17  |  |  |
|   |   |  | 3 PLACES | ± ---                             | ± ---  | <b>APPROVED BY</b><br>BOKOK   | <b>DATE</b><br>2012/10/17  |  |  |
|   |   | 2 PLACES   | ± 0.20   | ± ---                             | <b>MATERIAL NO.</b><br>SEE TABLE   |                               | <b>DOCUMENT NO.</b><br>SD-78757-001  |  |  |
|   |   | 1 PLACE  | ± ---    | ± ---                             | <b>SIZE</b><br>A3  |                               | <b>SHEET NO.</b><br>2 OF 3   |  |  |
|   |   | 0 PLACE  | ± ---    | ± ---                             | THIS DRAWING CONTAINS INFORMATION THAT IS PROPRIETARY TO MOLEX<br>INCORPORATED AND SHOULD NOT BE USED WITHOUT WRITTEN PERMISSION |                               |  |  |  |
|   |   | ANGULAR ± 3 °  |          |                                   |  |                               |  |  |  |
|   |   | DRAFT WHERE APPLICABLE<br>MUST REMAIN<br>WITHIN DIMENSIONS |          |                                   |  |                               |  |  |  |



RECOMMENDED PCB LAYOUT  
PCB THICKNESS: 1.60±0.10 MM



|  |   |   |      |  |                    |   |                        |  |
|--|---|---|------|--|--------------------|---|------------------------|--|
| ADD CAVITY ID<br>EC NO: S2015-0266<br>DRWN:SKANG 2014/09/23<br>CHKD:CWANG/25 2014/09/30<br>APPR:SHONG 2014/10/02 | QUALITY SYMBOLS<br>$\nabla_A = 0$<br>$\nabla_C = 0$<br>$\nabla_P = 0$ | GENERAL TOLERANCES (UNLESS SPECIFIED)                   |      | DIMENSION STYLE<br><b>MM ONLY</b>  | SCALE<br>NTS       | DESIGN UNITS<br>METRIC  | THIRD ANGLE PROJECTION |  |
|  |   | mm  | INCH | DRAWN BY<br>CGOH   | DATE<br>2012/05/25 | TITLE<br>SAS/PCIE<br>STD HEIGHT BACKPLANE SMT<br>RECEPTACLE (SMT MOUNT) |                        |  |
|  |   | 4 PLACES ± --- ± ---                                    |      | CHECKED BY<br>GMENARLY   | DATE<br>2012/10/17 | <b>molex</b><br>DOCUMENT NO. SD-78757-001<br>SHEET NO. 3 OF 3           |                        |  |
|  |   | 3 PLACES ± --- ± ---                                    |      | APPROVED BY<br>BOKOK   | DATE<br>2012/10/17 |   |                        |  |
| 2 PLACES ± 0.20 ± ---  |   | MATERIAL NO.<br>SEE TABLE                               |      |  |                    |   |                        |  |
| 1 PLACE ± --- ± ---  |   | DRAFT WHERE APPLICABLE<br>MUST REMAIN WITHIN DIMENSIONS |      | THIS DRAWING CONTAINS INFORMATION THAT IS PROPRIETARY TO MOLEX<br>INCORPORATED AND SHOULD NOT BE USED WITHOUT WRITTEN PERMISSION |                    |   |                        |  |
| 0 PLACE ± --- ± ---  |   |   |      |  |                    |   |                        |  |
| ANGULAR ± 3 °  |   |   |      |  |                    |   |                        |  |