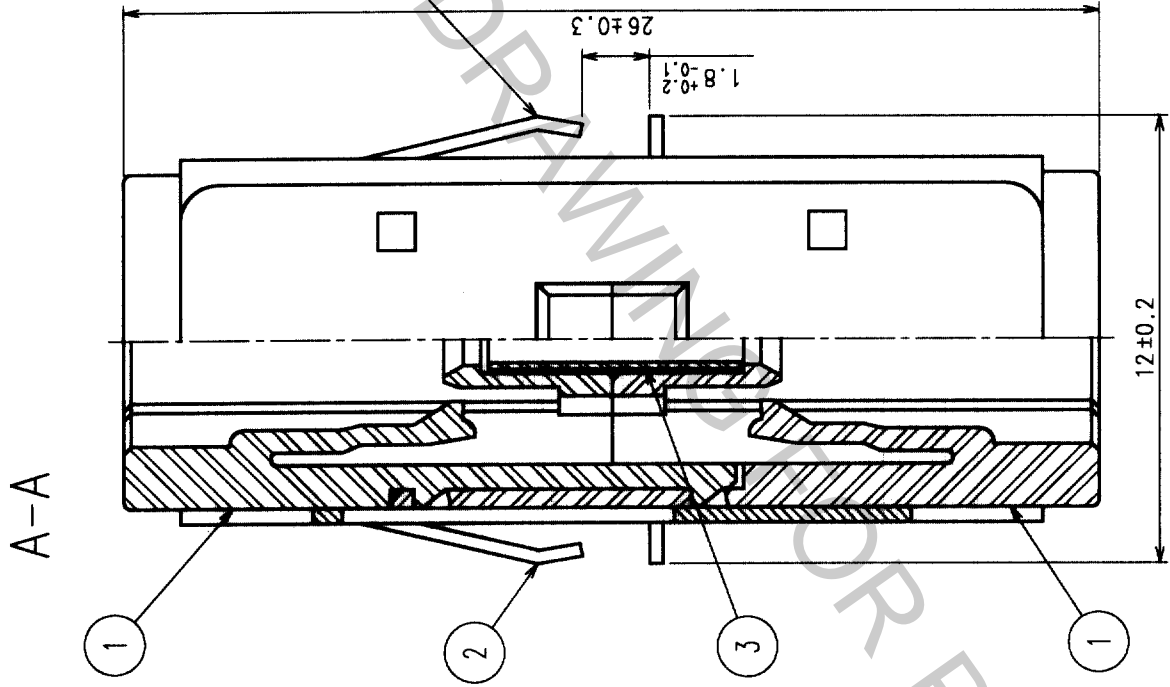
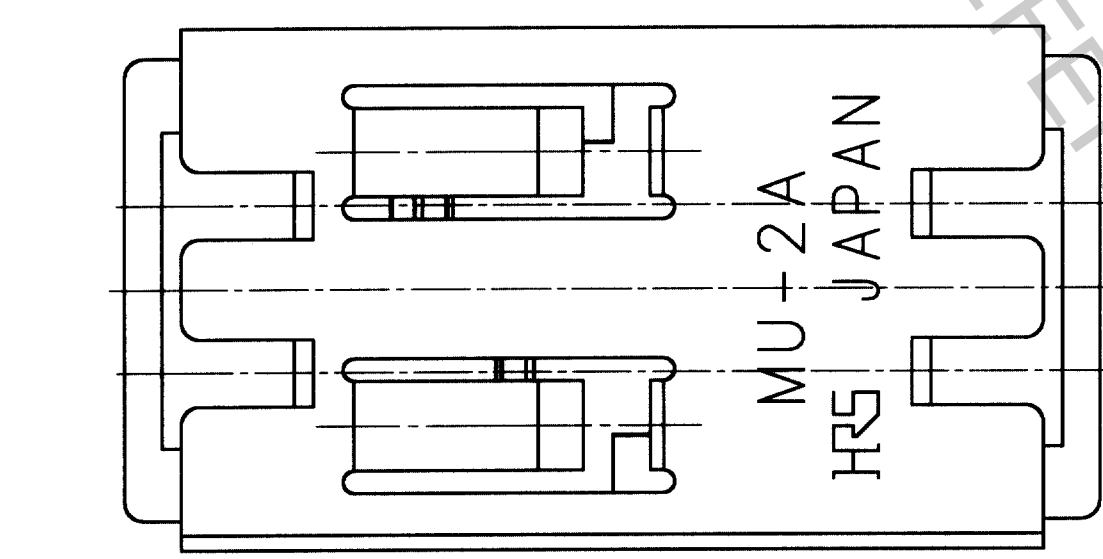
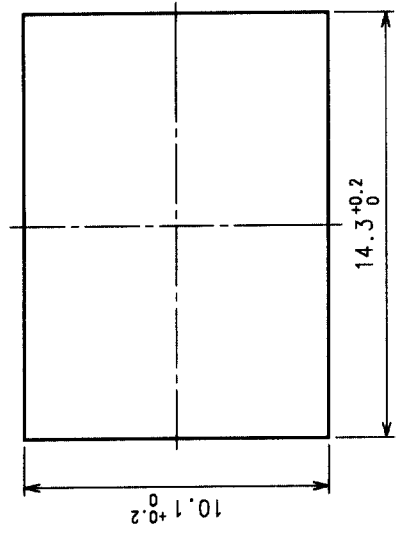


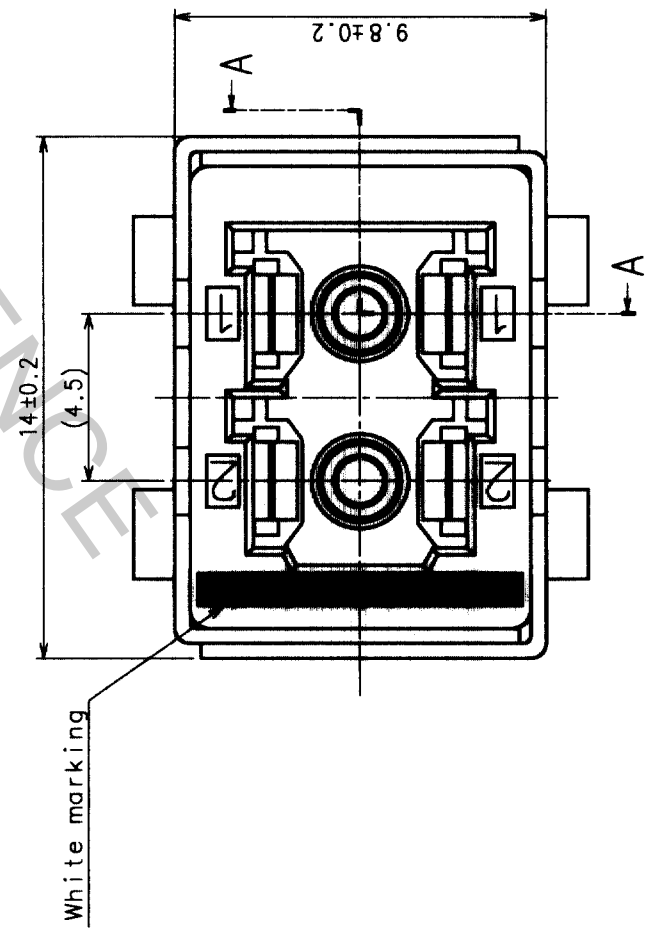
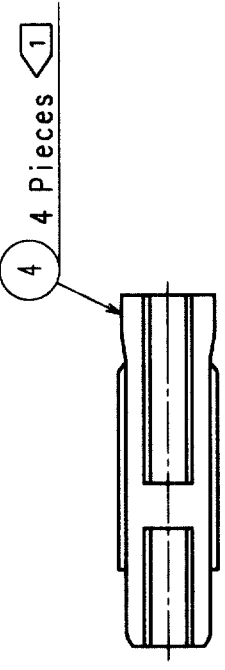
COUNT	DESCRIPTION OF REVISIONS	BY	CHKD	DATE	COUNT	DESCRIPTION OF REVISIONS	BY	CHKD	DATE



Recommended Panel Cutout
(Panel Thickness t=1.6mm)



(2:1)



NOTE 1 Delivered with cap installed.

2	Stainless Steel		4	Synthetic Resin	Color: White
1	Synthetic Resin		3	Zirconia	
NO.	MATERIAL	FINISH, REMARKS	NO.	MATERIAL	FINISH, REMARKS
CODE NO. (OLD)					
DRAWN		M. Shiba	DESIGNED	M. Shiba	CHECKED
SCALE		5 : 1	DRAWN DATE		02.04.08
UNITS		mm	DESIGNED DATE		02.04.08
DRAWING NO.		EDC3-174978	PART NO.		HMUA-2A-4
SCALE		5 : 1	CODE NO.		CL710-0187-8
UNITS		mm	APPROVED		F. Nagai
			RELEASED		02.04.08

TO			
----	--	--	--