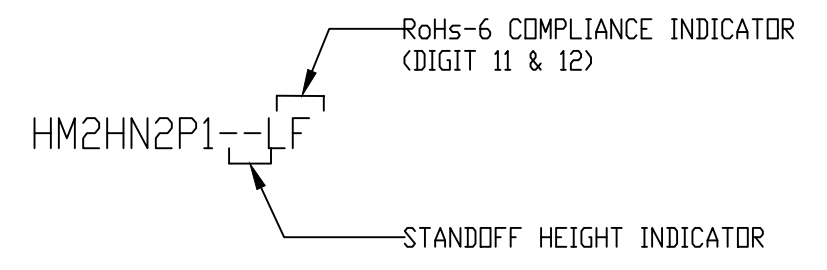
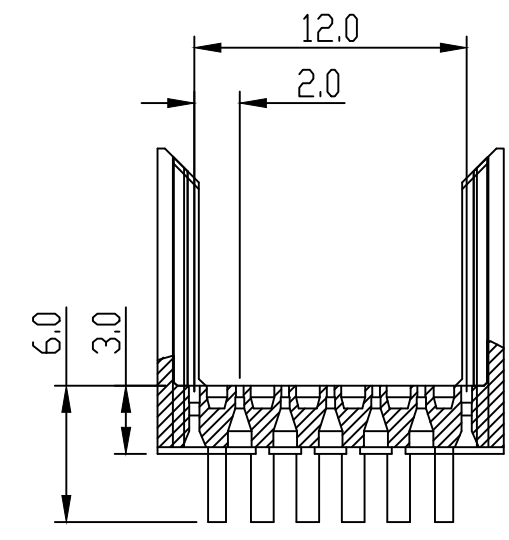
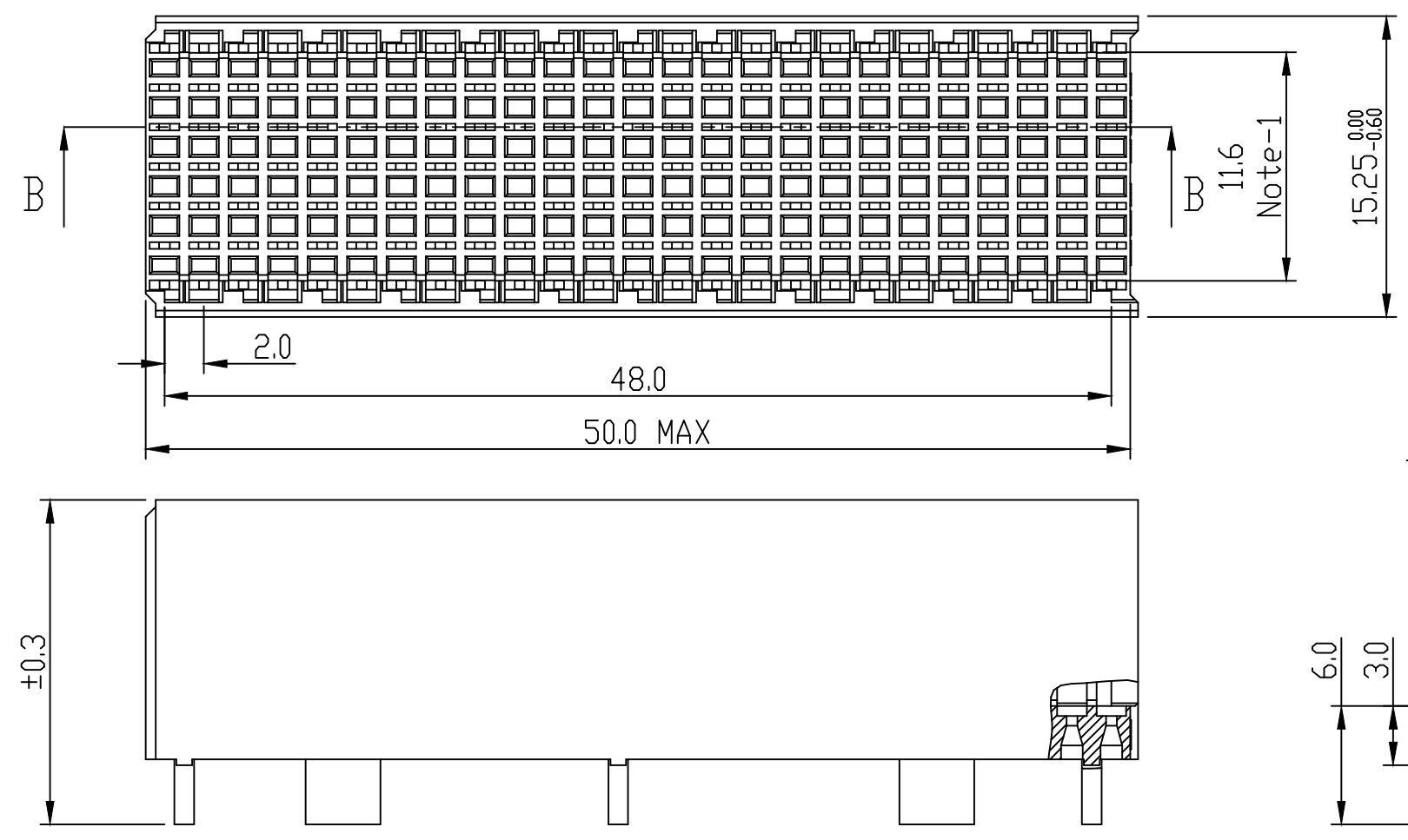
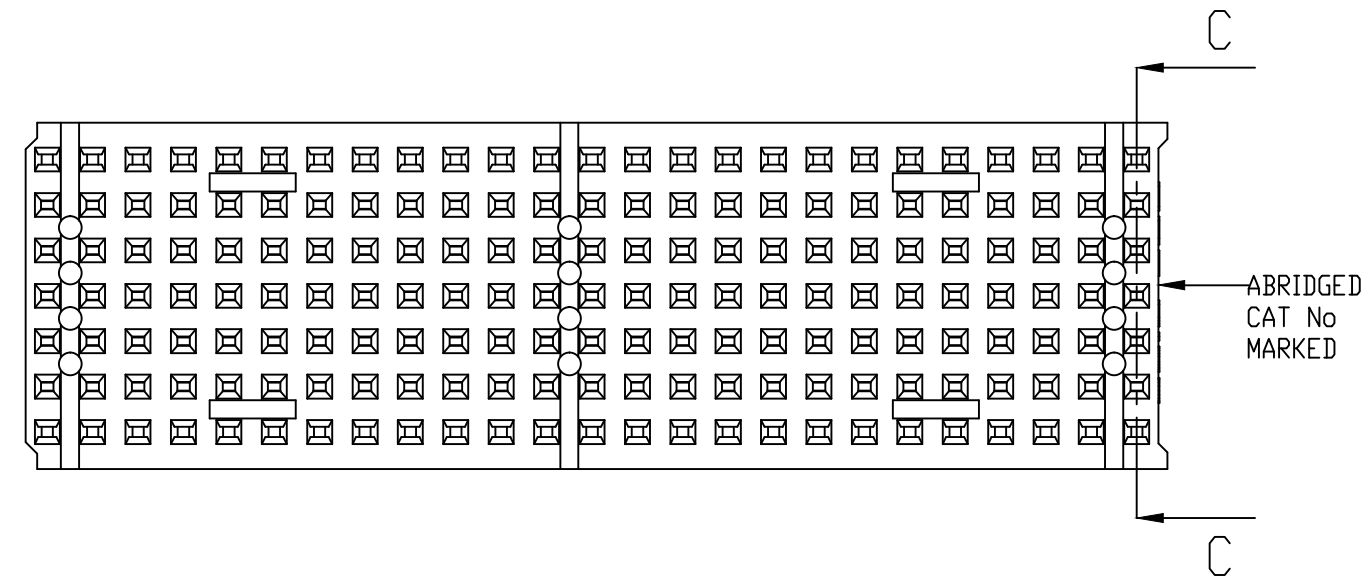


NOTES:

- 1. MEASURED AT THE BOTTOM
- 2. MATERIAL : GLASS REINFORCED POLYESTER UL94-V0
- 3. THIS PRODUCT MEETS EUROPEAN UNION DIRECTIVES AND OTHER COUNTRY REGULATIONS AS DESCRIBED IN GS-47-0004
- 4. PARTS WITH AND WITHOUT SUFFIX LF TO THE PRODUCT PART NUMBER ARE IDENTICAL IN FORM , FIT AND FUNCTION LF SUFFIX IS ADDED TO THE PART NUMBER OF THIS PRODUCT TO HAVE UNIFORM IDENTIFICATION OF ALL RoHS COMPATIBLE PRODUCTS



SECTION C-C



| CAT. NO. | L1 | L2 | |
|--------------|-----|-------|-------------------|
| HM2HN2P1LF | 3.0 | 13.45 | AVAILABLE |
| HM2HN2P109LF | 3.9 | 14.35 | AVAILABLE |
| HM2HN2P111LF | 4.1 | 14.55 | NOT YET AVAILABLE |
| HM2HN2P113LF | 4.3 | 14.75 | NOT YET AVAILABLE |
| HM2HN2P115LF | 4.5 | 14.95 | AVAILABLE |
| HM2HN2P117LF | 4.7 | 15.15 | AVAILABLE |
| HM2HN2P119LF | 4.9 | 15.35 | AVAILABLE |
| HM2HN2P122LF | 5.2 | 15.65 | AVAILABLE |
| HM2HN2P130LF | 6.0 | 16.45 | AVAILABLE |

| | | | | | |
|---------------------------|----------------|---------------------|-------------------------------|---------------------------------------|---|
| mat'l. code SEE NOTE 4 | | surface ISO 1302 | tolerance ISO 406 ISO 1101 | projection MM | product family MILLIPACS |
| ltr | ecn no | dr | date | tolerances unless otherwise specified | title MPACS 5+2 ROW SHROUD STR HDR (TYPE-B) (25 POS) (15.4 MAX) |
| A | 105-0139 | MINI | 2005-08-10 | angles | |
| B | 106-0099 | MINI | 2006-07-07 | linear | |
| C | 107-0107 | MINI | 2007-08-31 | 0°±1° | |
| D | ELX-I-18259 | AKA | 2014-07-09 | dr | scale - |
| | | | | MINI K V | 2005-03-08 |
| | | | | enr | ALEX BABU |
| | | | | chr | ALEX BABU |
| | | | | appd | BIJU K PAUL |
| sheet index | revision sheet | D | 1 | | |



dwg no sheet 1 of 1 size 5
BS, C ,203028, 233 A3
 type Product Customer Drawing



Copyright FCI