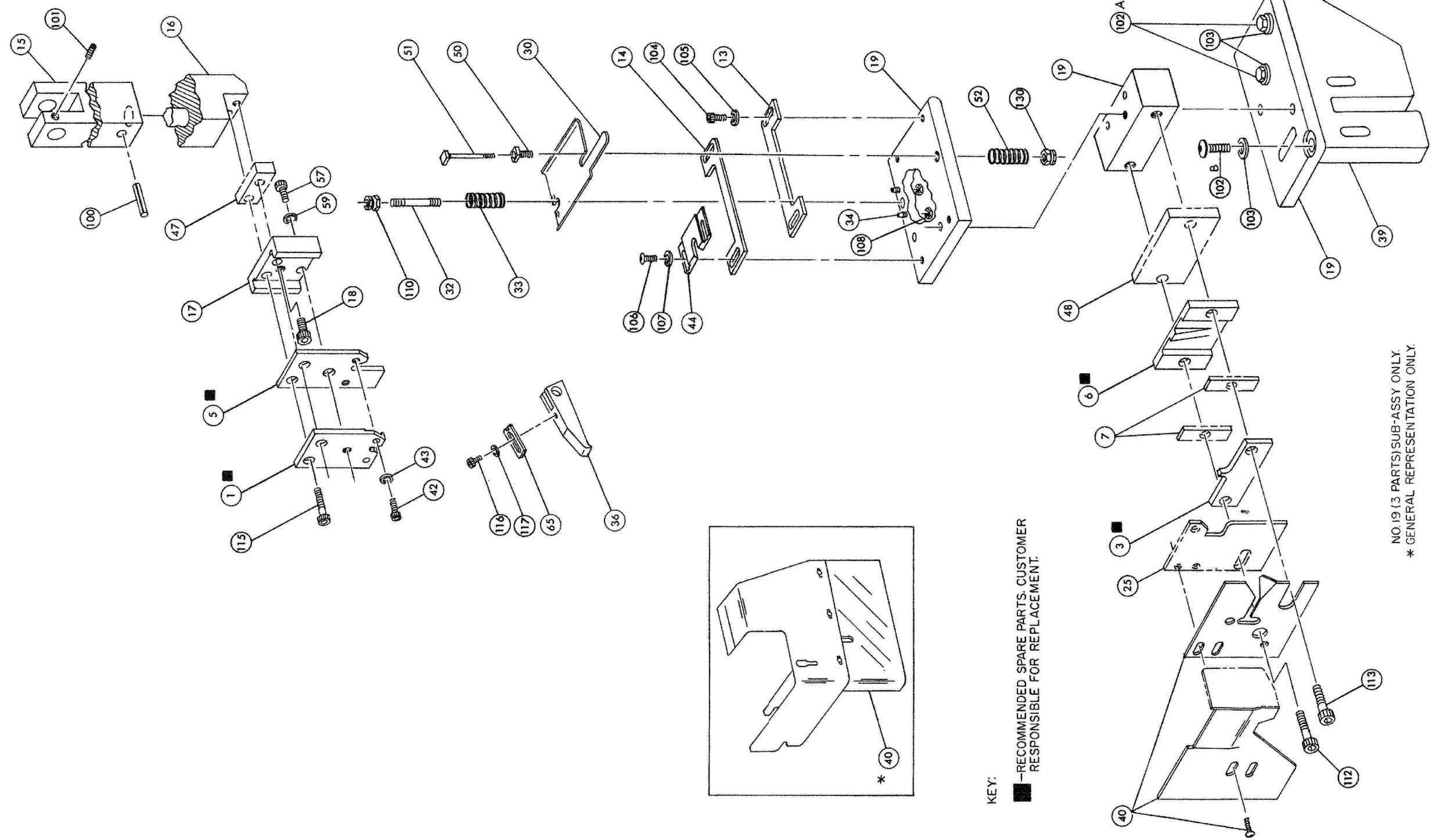






THIS DRAWING IS UNPUBLISHED. RELEASED FOR PUBLICATION  
 © COPYRIGHT BY TYCO ELECTRONICS CORPORATION. ALL RIGHTS RESERVED.

LOC	DIST	REVISIONS			
P	LTR	DESCRIPTION	DATE	DWN	APVD
A	-	SEE SHEET 1	-	-	-



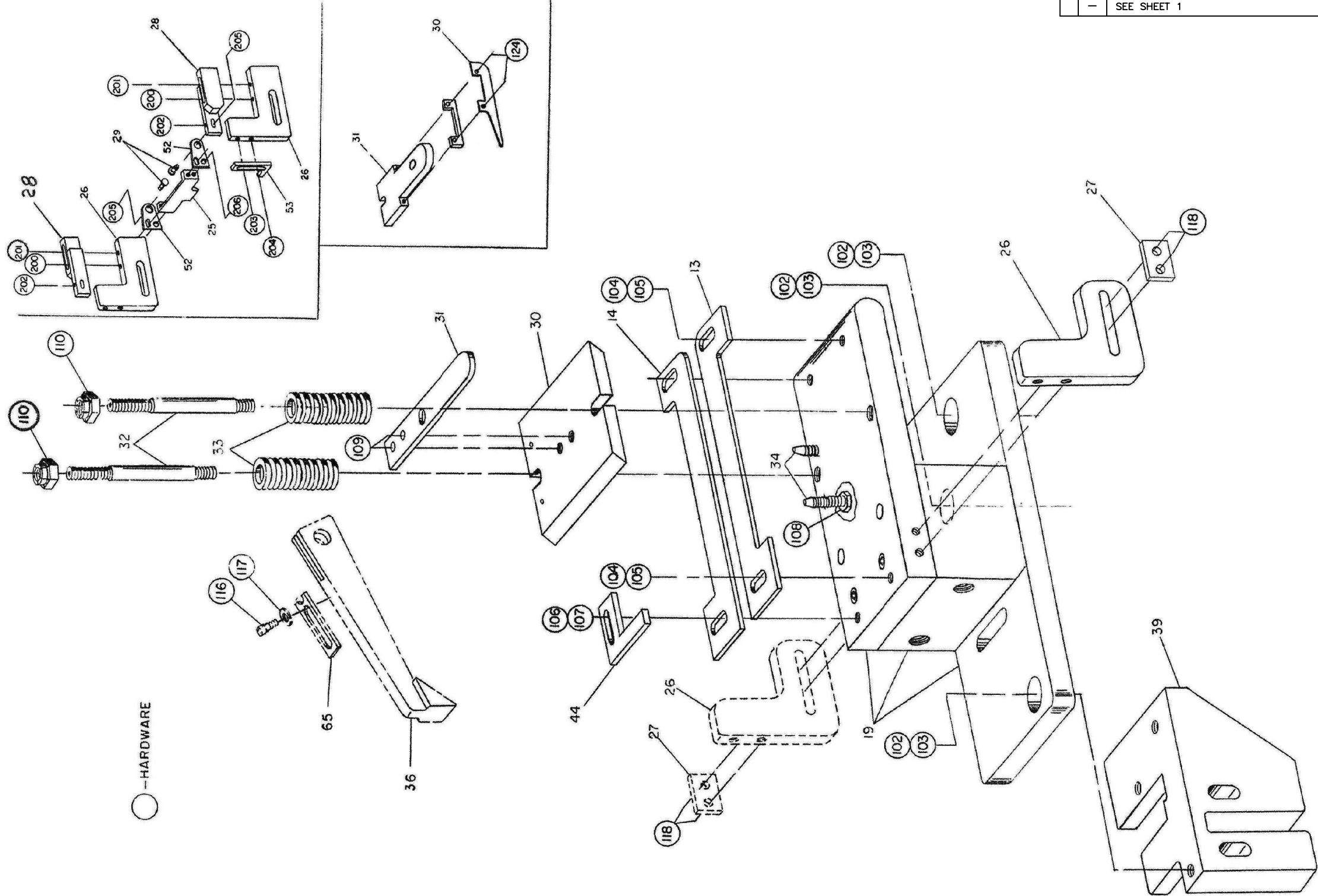
NO.19 (3 PARTS) SUB-ASSY ONLY.  
 \* GENERAL REPRESENTATION ONLY.

KEY:  
 ■ - RECOMMENDED SPARE PARTS. CUSTOMER RESPONSIBLE FOR REPLACEMENT.

THIS DRAWING IS A CONTROLLED DOCUMENT.		DWN	08MAR05	<b>tyco</b> Electronics	Tyco Electronics Corporation	
FINISH -		M. YOUNGER	11MAR05		Harrisburg, Pa 17105-3608	
DIMENSIONS: INCHES		CHK	T. ELBIN	NAME		
TOLERANCES UNLESS OTHERWISE SPECIFIED:		APVD	T. ELBIN	PRODUCT SPEC		
0 PLC		11MAR05		APPLICATION SPEC		
1 PLC				SIZE		
2 PLC				CAGE CODE		
3 PLC				DRAWING NO		
4 PLC				RESTRICTED TO		
ANGLES				WEIGHT		
FINISH				A2 00779 C-566207-1		
				CUSTOMER DRAWING		
				SCALE - SHEET 3 OF 4 REV E2		

THIS DRAWING IS UNPUBLISHED. RELEASED FOR PUBLICATION  
 © COPYRIGHT BY TYCO ELECTRONICS CORPORATION. ALL RIGHTS RESERVED.

LOC		DIST		REVISIONS			
P	LTR	DESCRIPTION	DATE	DWN	APVD		
A	-	SEE SHEET 1	-	-	-		



○ - HARDWARE

THIS DRAWING IS A CONTROLLED DOCUMENT.		DWN M. YOUNGER 08MAR05		Tyco Electronics Corporation	
FINISH -		CHK T. ELBIN 11MAR05		Harrisburg, Pa 17105-3608	
DIMENSIONS: INCHES		APVD T. ELBIN 11MAR05		NAME	
TOLERANCES UNLESS OTHERWISE SPECIFIED:		PRODUCT SPEC		END FEED STD APPLICATOR	
0 PLC ± -		APPLICATION SPEC		SIZE CAGE CODE DRAWING NO RESTRICTED TO	
1 PLC ± -		WEIGHT -		A2 00779 C-566207-1 -	
2 PLC ± -		CUSTOMER DRAWING		SCALE - SHEET 4 OF 4 REV E2	
3 PLC ± -					
4 PLC ± -					
ANGLES ± -					
FINISH -					

566207-1