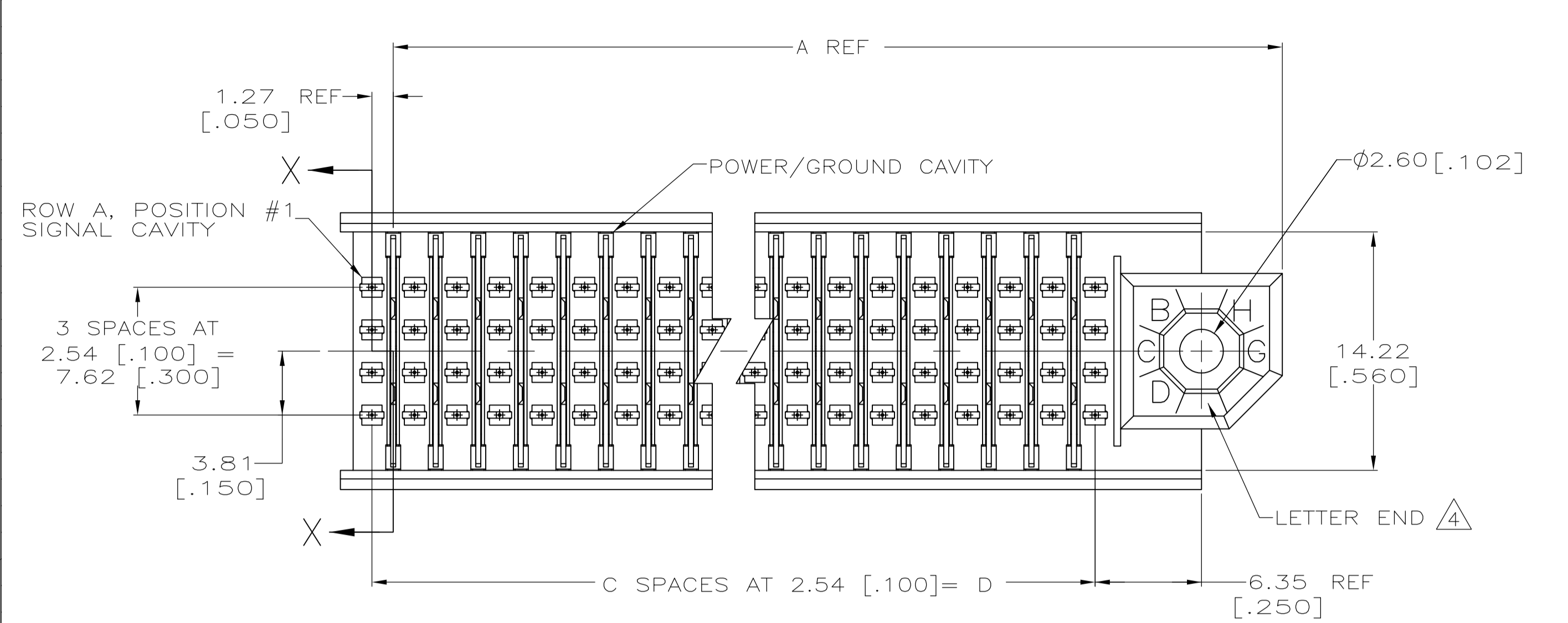
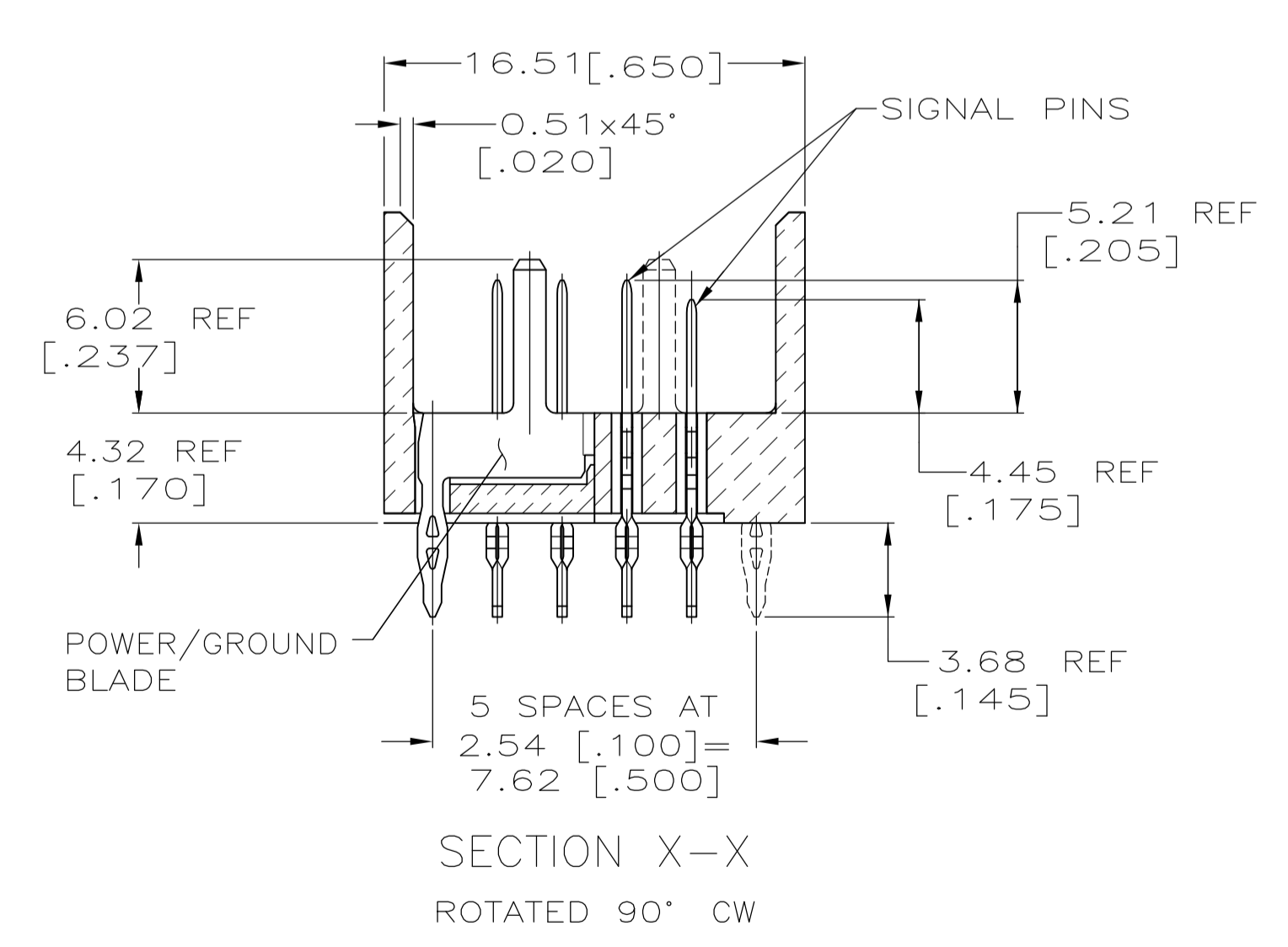
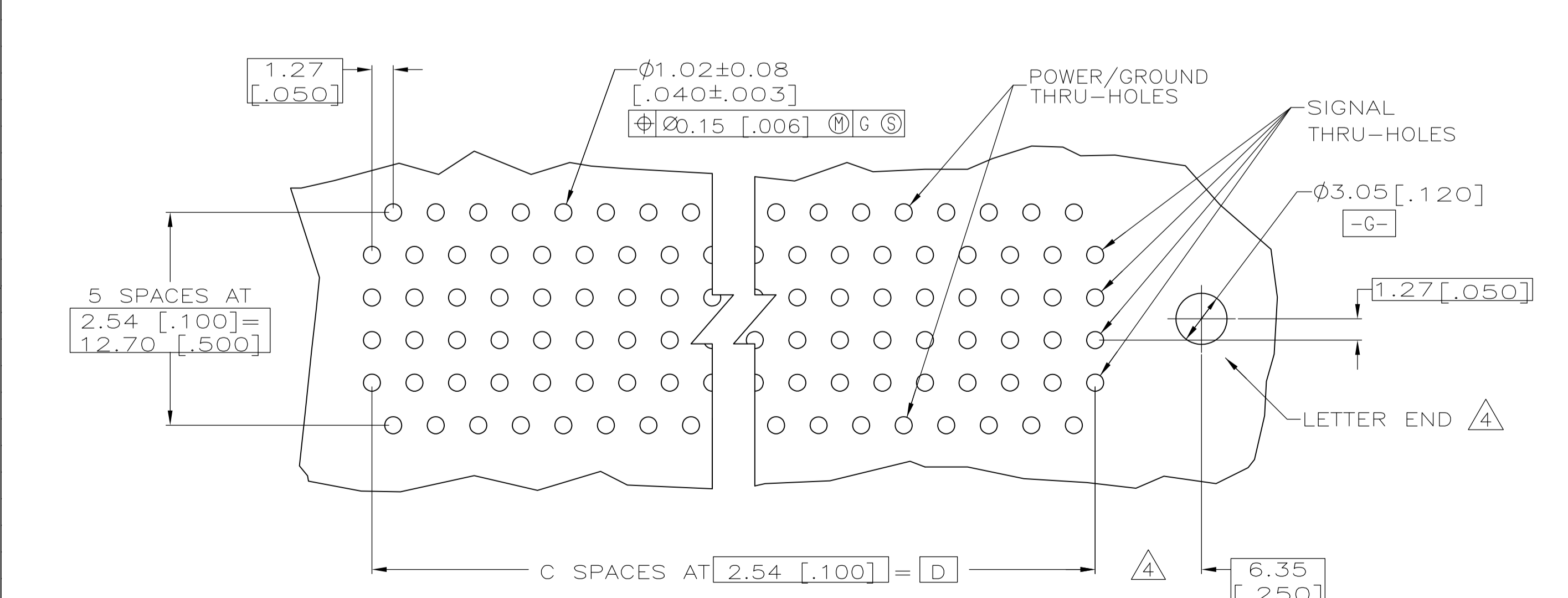
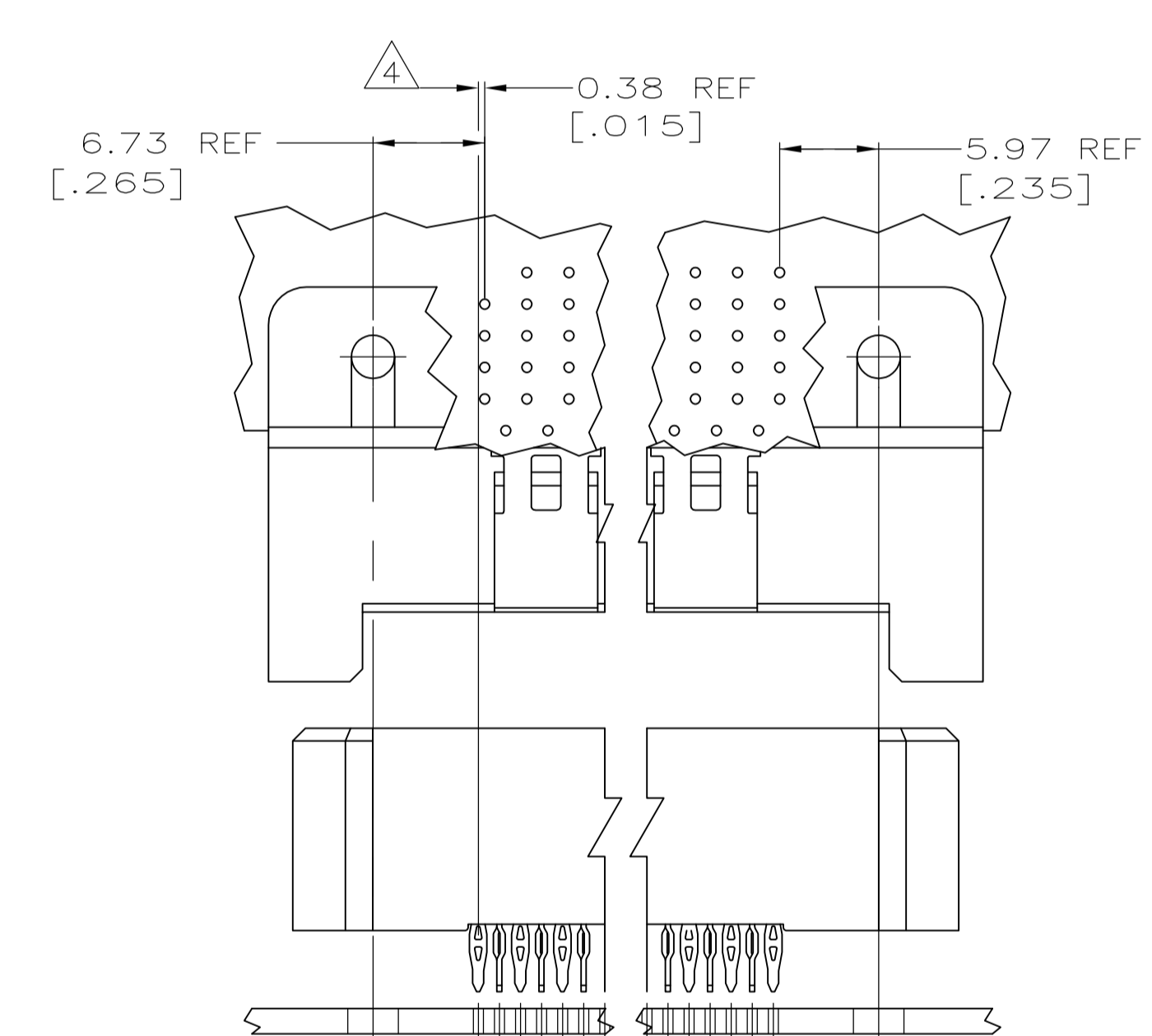
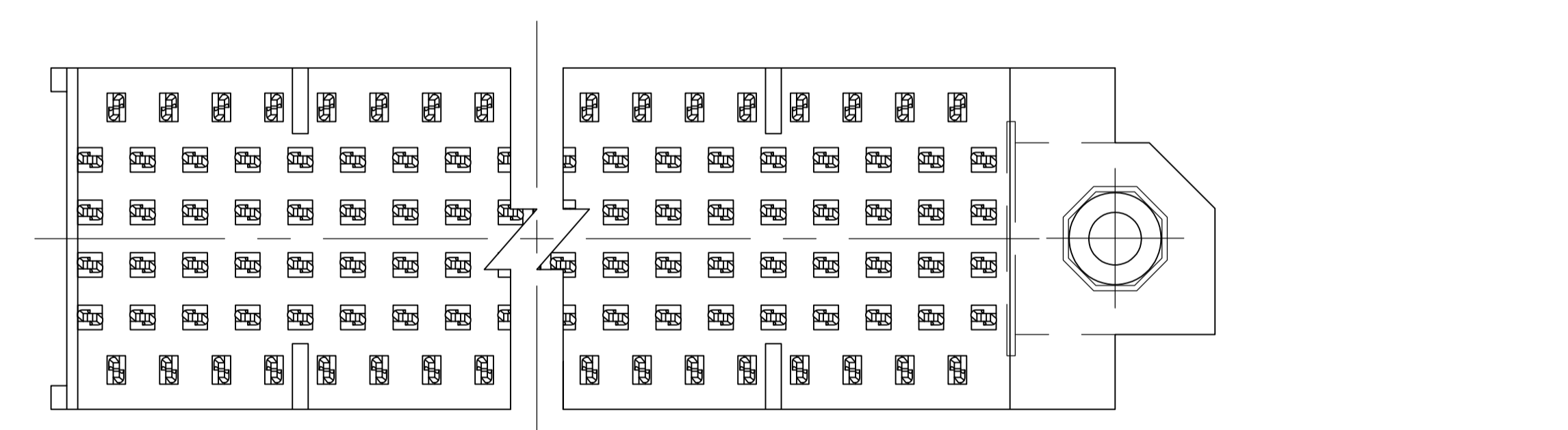
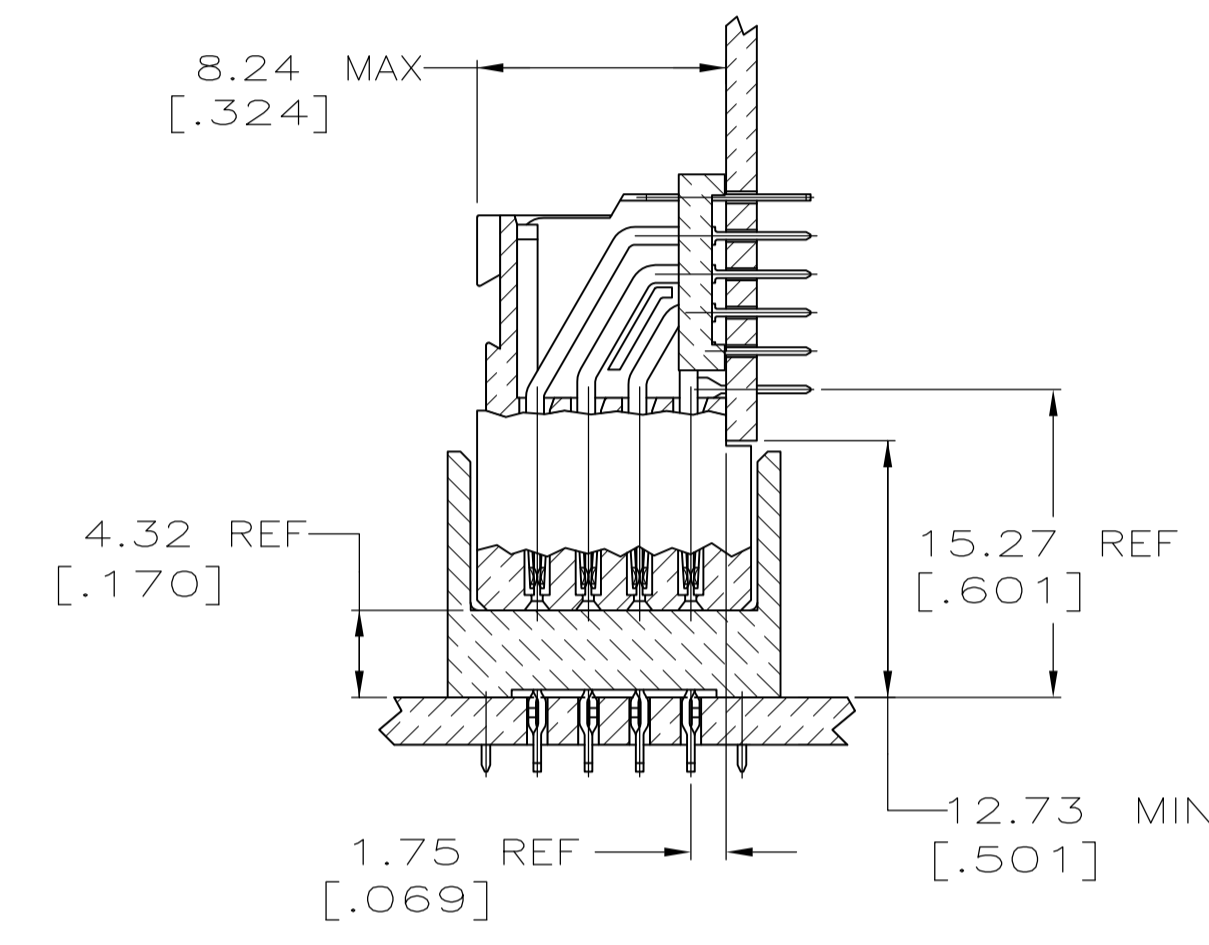
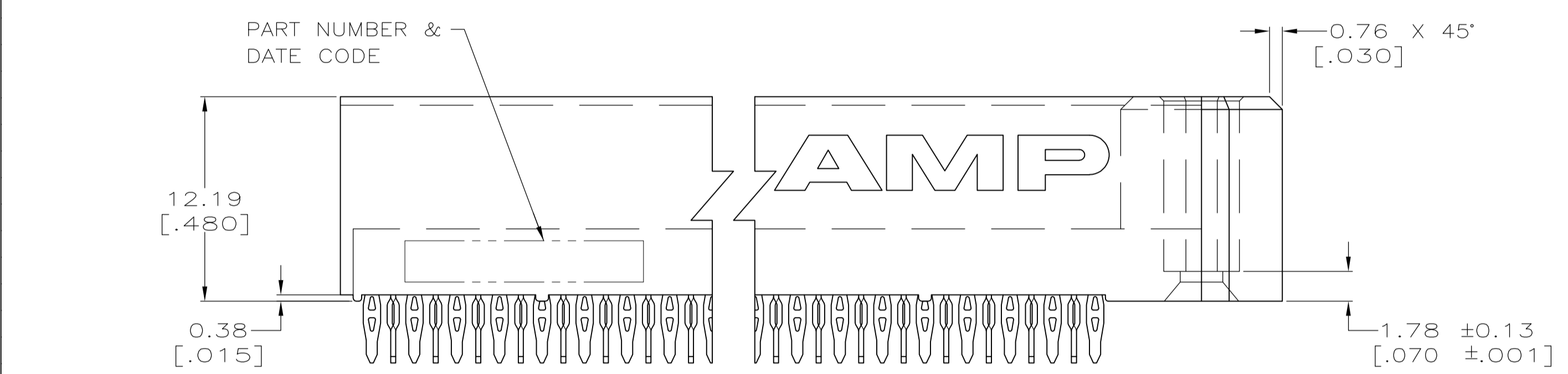


LOC		DIST		REVISIONS			
P	LTR	DESCRIPTION	DATE	DMN	APVD		
01		REVISED PER ECO-12-005999	09APR12	KH	MH		



- 1 HOUSING AND ORGANIZER MATERIAL: LIQUID CRYSTAL POLYMER, COLOR, BLACK
- 2 SIGNAL AND GROUND PLANE CONTACT MATERIAL: PHOSPHOR BRONZE
- 3 CONTACT FINISH: 0.00127[.000050] MIN. NICKEL UNDERPLATE, GOLD FLASH OVER 0.00076[.000030] MIN. PALLADIUM-NICKEL ON CONTACT AREA, 0.0005[.000020] MIN MATTE TIN ON ACTION PIN AREA OF CONTACT TAILS.
- 4 RECEPTACLE ASSEMBLY LEADS ARE OFFSET .015 TOWARD THE LETTER END OF THE CAVITY CENTERLINE. THE PIN ASSEMBLY LEADS ARE IN LINE WITH THE CAVITY CENTERLINE.



OBSOLETE	48.28 [1.900]	19	-	60.55 [2.384]	80	5646617-2
	35.56 [1.400]	14	-	47.85 [1.884]	60	5646617-1
	D	C	-	A	NO OF SIGNAL POS	PART NO

RECOMMENDED CIRCUIT PATTERN PER ANSI/IPC-D-300 TYPE II, CLASS C (COMPONENT SIDE)

THIS DRAWING IS A CONTROLLED DOCUMENT.		DIN J. POLIGNONE 29JUL05		APVD G. GRIFFITH 29JUL05		NAME Z-PACK Stripline 100, PIN HEADER SUB-ASSEMBLY	
DIMENSIONS: mm [INCHES]		TOLERANCES UNLESS OTHERWISE SPECIFIED:		APVD G. GRIFFITH 29JUL05		PRODUCT SPEC 108-1244	
0 PLC ± -		1 PLC ± -		2 PLC ± 0.51 [.02]		APPLICATION SPEC 104-1065	
3 PLC ± 0.25 [.010]		4 PLC ± -		5 PLC ± -		SIZE CAGE CODE DRAWING NO RESTRICTED TO	
MATERIAL		FINISH		WEIGHT		A1 00779 C=5646617	
CUSTOMER DRAWING		SCALE 4:1		SHEET 1 OF 2		REV 01	

