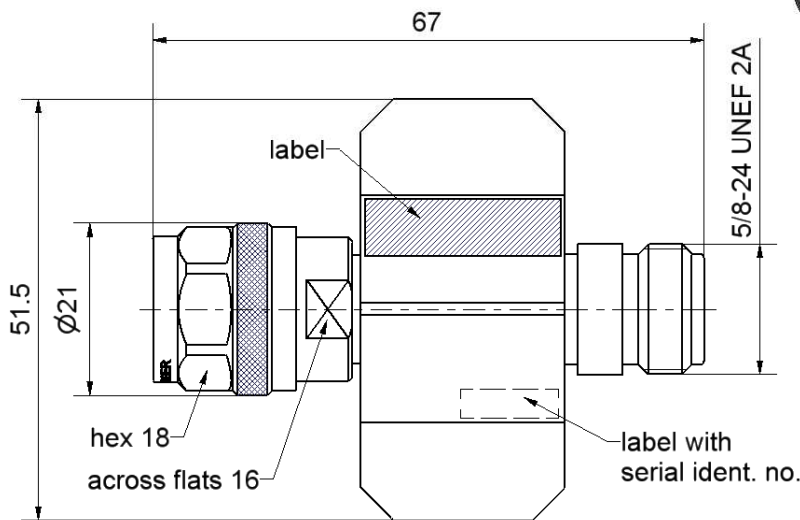
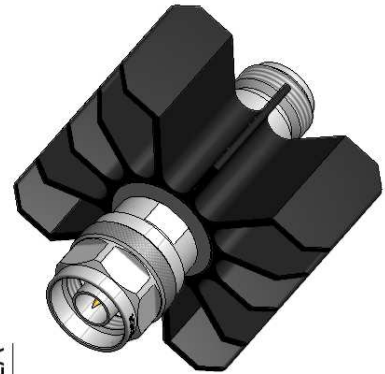


N 50 Ω

Attenuator
Plug / Jack 10 Watt

53AS110-K06N3



All dimensions are in mm; tolerances according to ISO 2768 m-H

Interface

According to IEC 61169-16

Documents

N/A

Material and plating

Connector parts

- Center conductor - plug
- Center conductor - jack
- Outer conductor
- Coupling nut
- Heatsink
- Dielectric
- Substrate

Material

- Brass
- Beryllium copper
- Brass
- Brass
- Aluminum
- PTFE
- AIN

Plating

- Gold, min. 1.27 μm , over nickel
- Gold, min. 1.27 μm , over nickel
- Flash white bronze over silver(e.g. Optargen®)
- White bronze(e.g. Optalloy®)
- Black anodized

Technical Data Sheet

Rosenberger

N 50 Ω

Attenuator
Plug / Jack 10 Watt

53AS110-K06N3

Electrical data

| | |
|--------------------------------------|---|
| Impedance | 50 Ω |
| Frequency | DC to 10 GHz |
| Return loss | ≥ 26.4 dB, DC to 2 GHz ≥ 21.2 dB, 2 GHz to 5 GHz ≥ 14.0 dB, 5 GHz to 10 GHz |
| Attenuation | 6 dB \pm 0.3 dB, DC to 2 GHz 6 dB \pm 0.5 dB, 2 GHz to 4 GHz 6 dB \pm 1.0 dB, 4 GHz to 10 GHz |
| Power handling (at 25 °C, sea level) | ≤ 10 W, derated linearity by 0.1 W/K |

Mechanical data

| | |
|----------------------------|------------------|
| Mating cycles | ≥ 500 |
| Coupling nut retention | ≥ 450 N |
| Center contact captivation | ≥ 28 N |
| Coupling test torque | ≤ 1.7 Nm |
| Recommended torque | 0.7 Nm to 1.1 Nm |

Environmental data

| | |
|-------------------|-------------------|
| Temperature range | -65 °C to +125 °C |
| RoHS | compliant |

Tooling

N/A

Suitable cables

N/A

Packing

| | |
|----------|--------------------------|
| Standard | 1 pce in air cushion bag |
| Weight | 155 g/pce |

While the information has been carefully compiled to the best of our knowledge, nothing is intended as representation or warranty on our part and no statement herein shall be construed as recommendation to infringe existing patents. In the effort to improve our products, we reserve the right to make changes judged to be necessary.

| Draft | Date | Approved | Date | Rev. | Engineering change number | Name | Date |
|--|----------|---------------|----------|------|---|------------------|---------------|
| Kerstin Herzog | 05.08.05 | Markus Müller | 20.07.18 | c00 | 18-1027 | Marion Striegler | 20.07.18 |
| Rosenberger Hochfrequenztechnik GmbH & Co. KG P.O.Box 1260 D-84526 Tittmoning Germany www.rosenberger.de | | | | | Tel. : +49 8684 18-0 Email : info@rosenberger.de | | Page 2 / 2 |