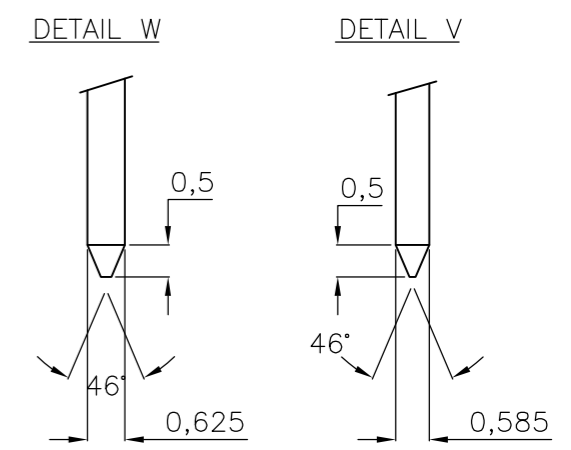
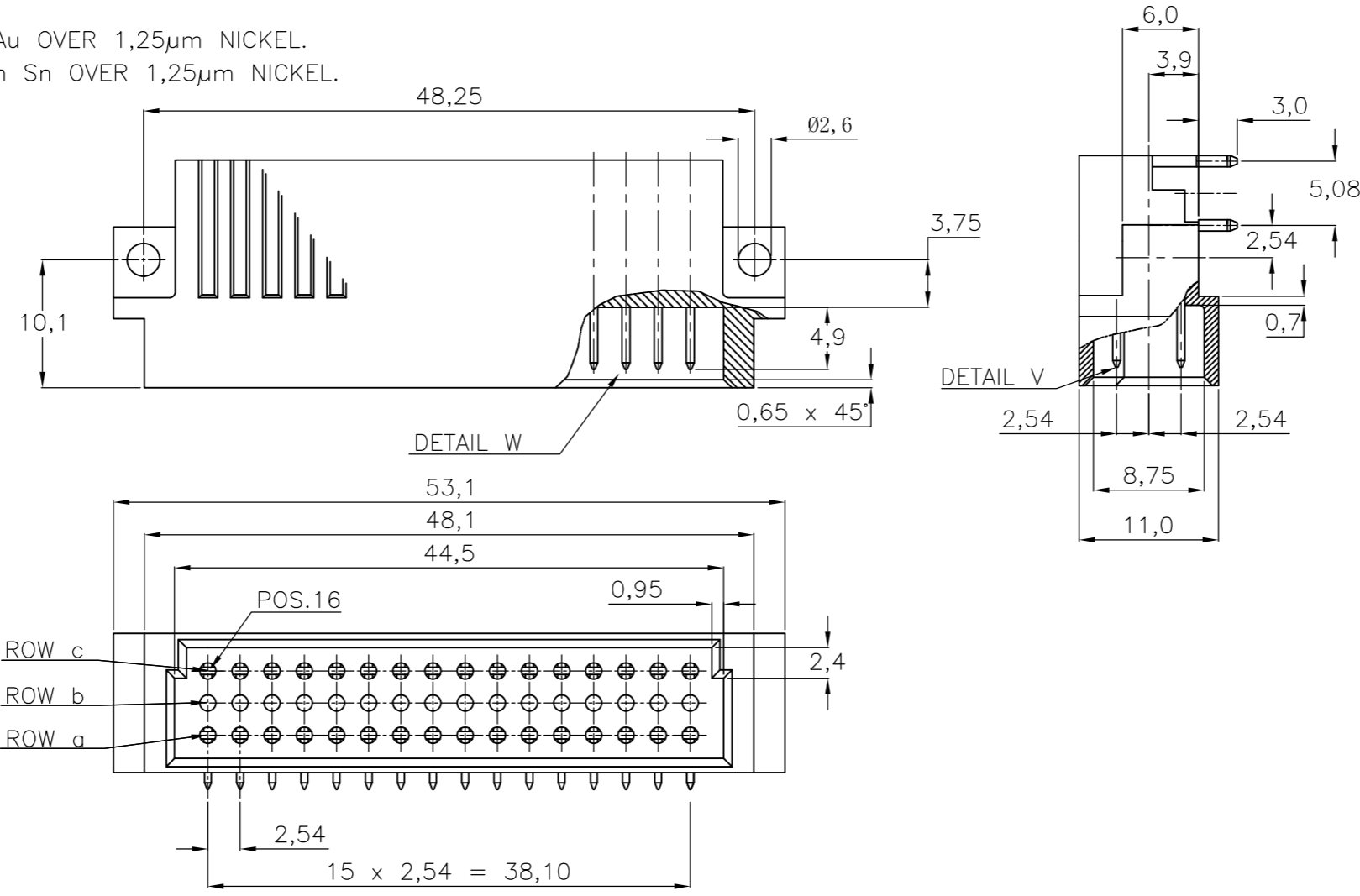


THIS DRAWING IS UNPUBLISHED. RELEASED FOR PUBLICATION
 © COPYRIGHT BY TYCO ELECTRONICS CORPORATION. ALL INTERNATIONAL RIGHTS RESERVED.

LOC	DIST	REVISIONS					
		P	LTR	DESCRIPTION	DATE	DWN	APVD
H	—		A	EH-0243-98	17-02-98	RvH	—
			B	EH-1792-98	03-11-98	LvdH	—
			C	ECR-07-020965	22-08-08	AEG	MKO

NOTES:

- ① MATERIAL:
 -HOUSING: THERMOPL.POLYESTER
 COLOUR : GREY
 -CONTACTS: PHOSPHORBRONZE
- ② PLATING CONTACT :
 0- -4: AT CONTACT AREA 0,8µm Au OVER 1,25µm NICKEL.
 AT ACTION PIN AREA 2,5µm Sn OVER 1,25µm NICKEL.



ROW c	X X X X X X X X X X X X X X X X
ROW b	O O O O O O O O O O O O O O O O
ROW a	X X X X X X X X X X X X X X X X
POS	16 15 14 13 12 11 10 9 8 7 6 5 4 3 2 1

AN ASTERISK „X” DENOTES A CONTACT.

P.C.B. HOLE DIM. ACTION PIN	
DRILLED HOLE	: 1,15 ± 0,025 mm
FIN. HOLE	: 0,94 to 1,09 mm
AFTER REFLOW	: 0,91 to 1,09 mm
Cu-thks	: 0,025 to 0,075 mm
SnPb-thks	: 0,004 to 0,010 mm

OBSOLETE	SEE NOTE ②	SEE NOTE ①	6-106276-8
	SEE NOTE ②	SEE NOTE ①	106276-4
	FINISH	MATERIAL	PARTNUMBER

THIS DRAWING IS A CONTROLLED DOCUMENT.		DWN R.V.LOKVEN 24MAR93	Tyco Electronics Corporation 's-Hertogenbosch, Nederland	
DIMENSIONS: mm		CHK J.V.GRUNSVEN 24MAR93		
TOLERANCES UNLESS OTHERWISE SPECIFIED:		APVD L.V.SOEST	NAME	
0 PLC ± -		PRODUCT SPEC	32 POS. DIN 41612 TYPE C/2 MALE	
1 PLC ± -		APPLICATION SPEC	ACTION PIN CONNECTOR FOR 1,6	
2 PLC ± -		WEIGHT	P.C.B. THICKNESS	
3 PLC ± -		CUSTOMER DRAWING	SIZE A3	CAGE CODE 00779
4 PLC ± -			DRAWING NO	106276
ANGLES ± -			RESTRICTED TO	
FINISH			SCALE	NTS
			SHEET	1 OF 1
			REV	C