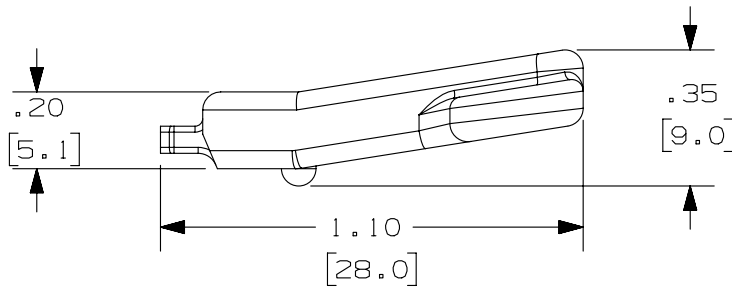
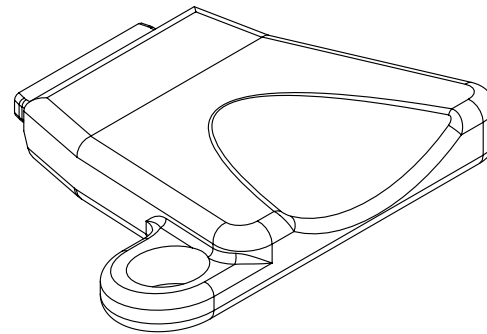
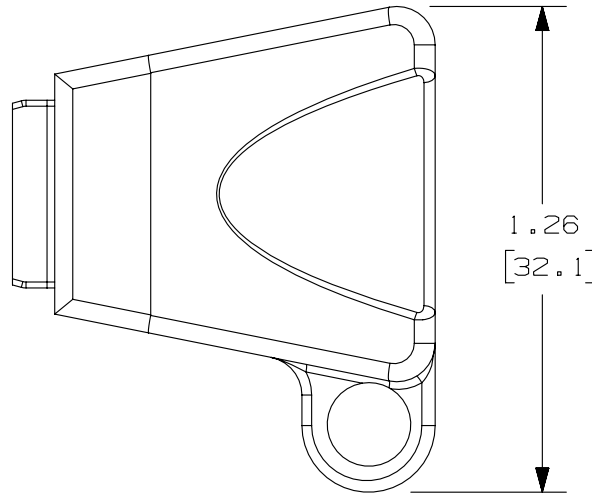



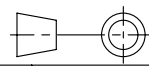
THIS COPY IS PROVIDED ON A RESTRICTED BASIS AND IS NOT TO BE USED IN ANY WAY DETRIMENTAL TO THE INTERESTS OF PANDUIT CORP.

PANDUIT P/N	WEIGHT
CJT	.0066 LB/50 PCS (3.02g/50 PCS)

NOTES:

1. SEE CURRENT CATALOG FOR ADDITIONAL PART NUMBER SUFFIXES TO INDICATE COLOR AND OR PACKAGE QUANTITY.
2. DIMENSIONS IN [] ARE IN METRIC.



PART NUMBER		CJT	
TITLE			
CATEGORY 3 AND 5e JACK TERMINATION TOOL			
CUSTOMER DRAWING			
ITEM REVISION NAME		D35071CD/00	
DATASET FILE NAME		D35071CD_DC/00E	
UNLESS OTHERWISE SPECIFIED, DIMENSIONAL TOLERANCES ARE: IN [mm]		 MATERIAL: NYLON	
.x ± .xx ± .03 [.8] .xxx ± .010 [.3] ANGLES ±			
DRAWING NUMBER:		35071-33	
THIRD ANGLE PROJECTION			
DRAWN BY	DATE	CHK	SCALE
JBA	1-30-96	CEF	NONE
SHT 1 OF 1		A	

3	5/30/14	JSP	REFR	EJH	REVISED AND REDRAWN, PREVIOUS REVISIONS HAVE BEEN OMITTED.	35071-33
REV	DATE	BY	CHK	APR	DESCRIPTION	ECN

D101000DA/14