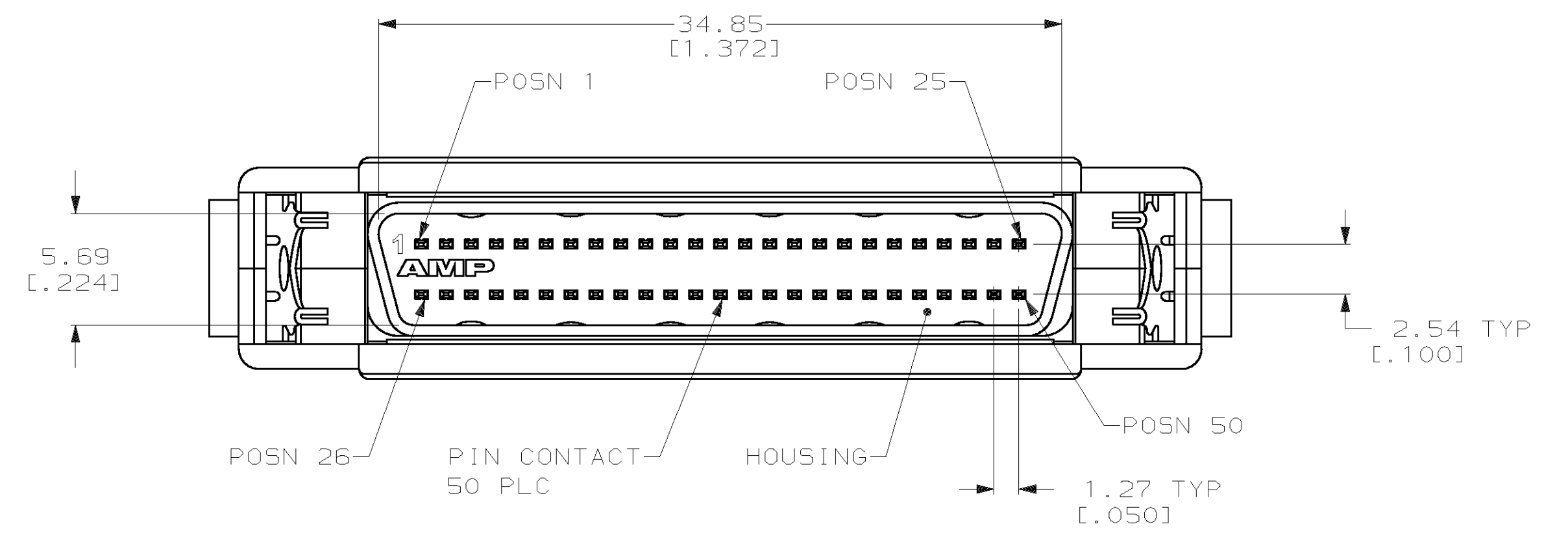
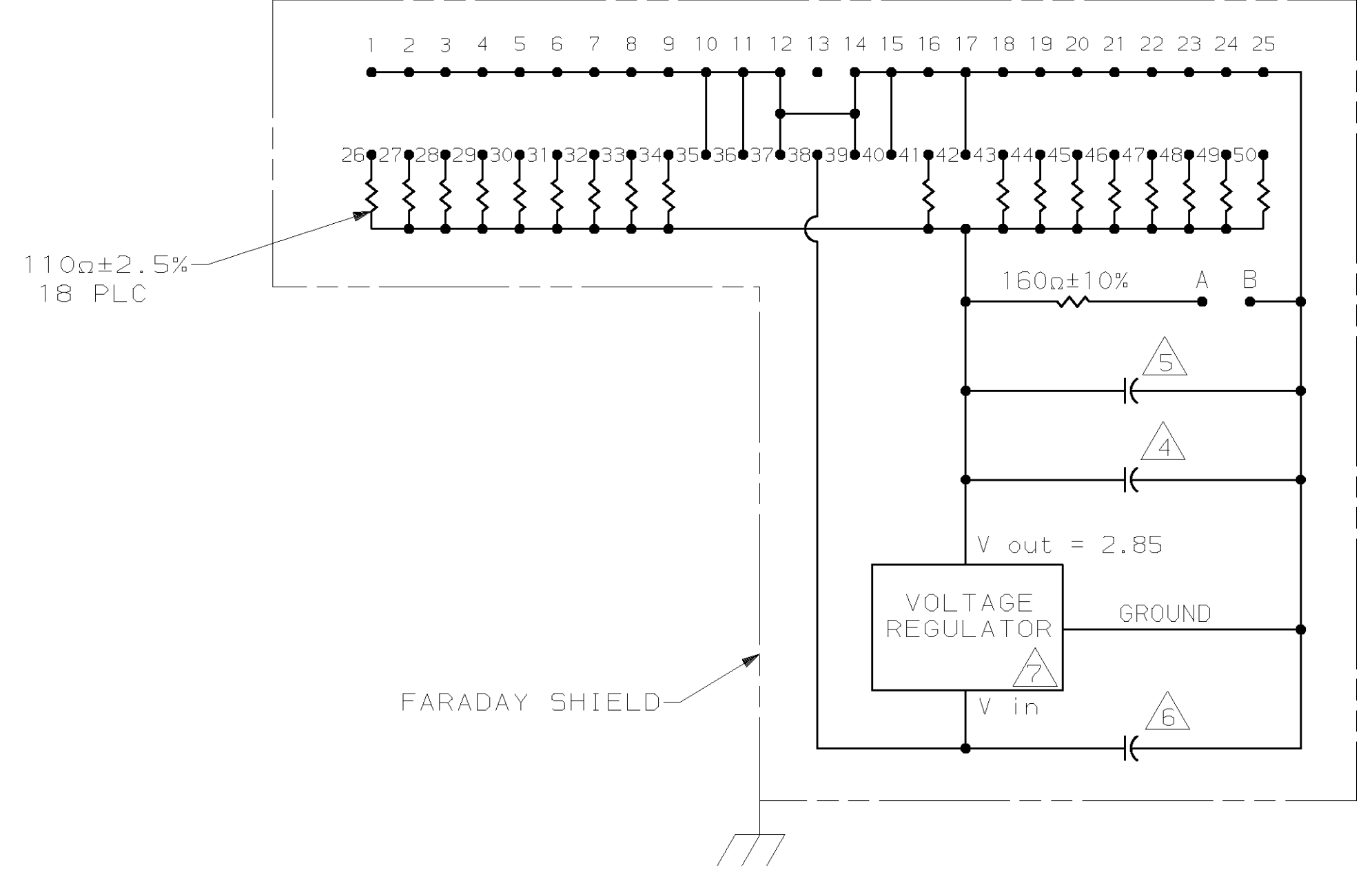
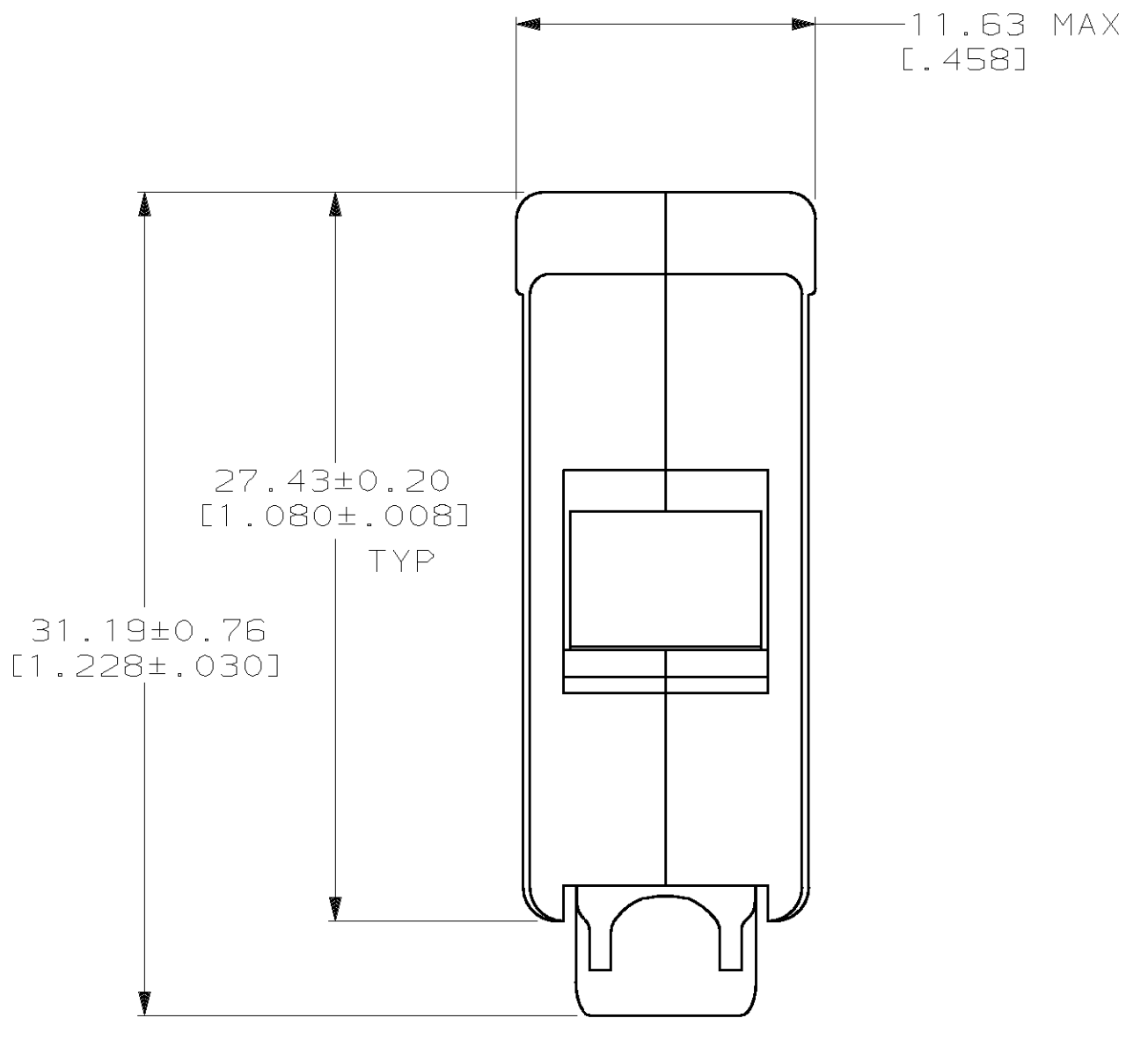
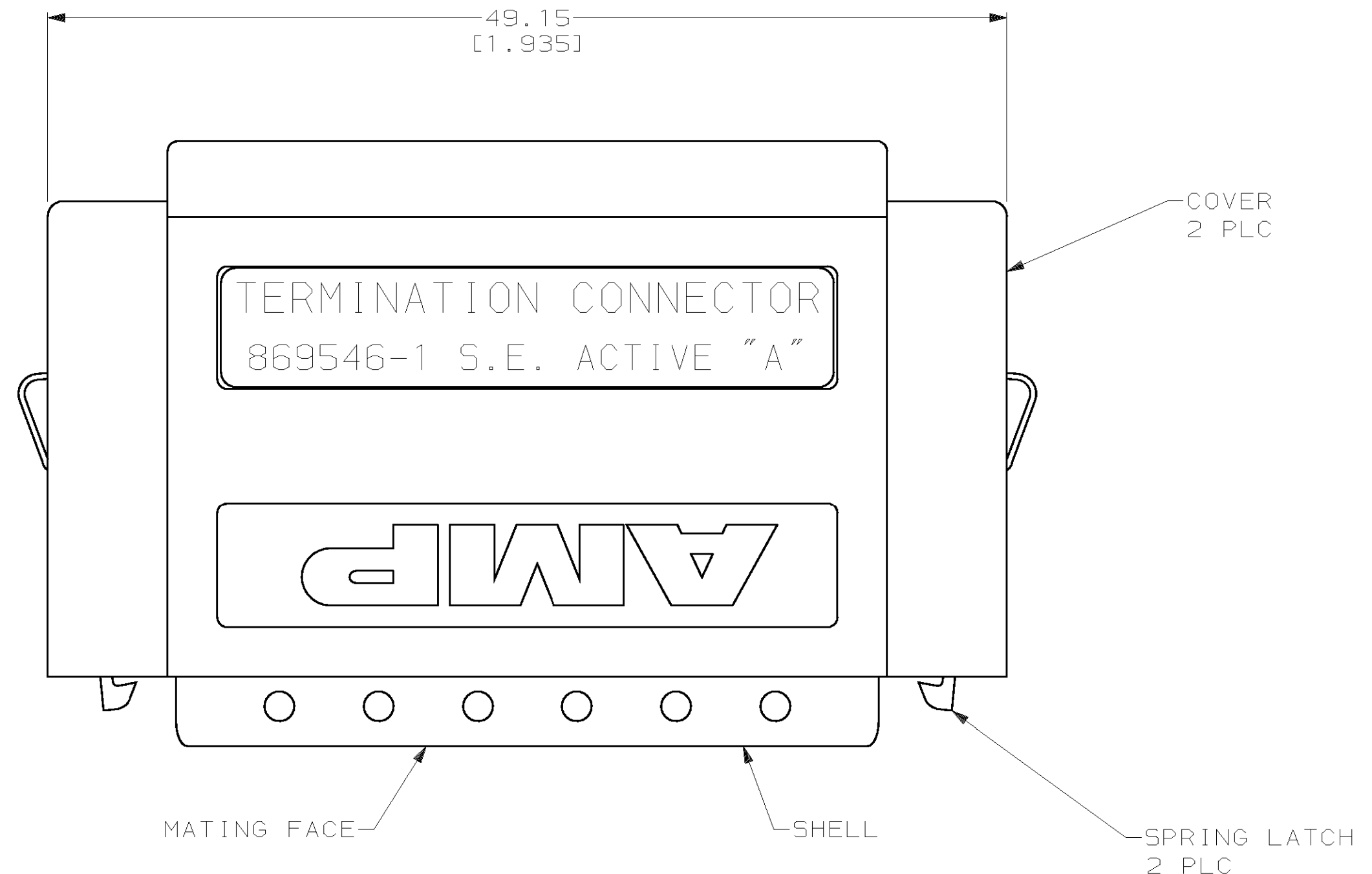


LOC	DIST	P	F	ZONE	LTR	DESCRIPTION	DATE	APPD
GP	00							
						RLSE WAS 91-4163-083-01, NPR 3876	2-92	DW
						REVISED ECN BD6418	07/29/92	PR
						REV PER EC 0020-492-93	05/13/93	MP
						REV PER EC 0020-600-93	06/03/93	PR
						REV PER EC 0020-790-95	30 OCT 95	RF
						REVISED PER EC 0420-86-97	08 SEP 97	JV
						REV PER EC 051A-0168-00	28 JUN 00	MG



- ① SHELL: CARBON STEEL; PIN CONTACT: PHOSPHOR BRONZE; HOUSING: POLYESTER, BLACK; RESISTOR NETWORK: THICK FILM RESISTOR COMPOSITION ON ALUMINA SUBSTRATE. SPRING LATCH: STAINLESS STEEL; COVER: ABS, GRAY, UL 94V-0 RATED.
- ② 5.08μm[.000200] MIN TIN-NICKEL OVER 1.27μm[.000050] MIN COPPER.
- ③ 0.76μm[.000030] MIN GOLD FOR A LENGTH OF 3.35[.132] MIN FROM MATING END OVER 1.27μm[.000050] MIN NICKEL.
- ④ 22μF TANTALUM CAPACITOR ±20%, 10V MIN.
- ⑤ 0.1μF CERAMIC CAPACITOR ±20%, 25V MIN.
- ⑥ 4.7μF TANTALUM CAPACITOR ±20%, 15V MIN.
- ⑦ VOLTAGE REGULATOR TO MEET ALL SCSI SINGLE-ENDED ACTIVE REQUIREMENTS.

DO NOT SCALE PRINT. UNLESS SPECIFIED DIMENSIONS IN mm [INCHES] TOLERANCES ON: 2 PLC DEC ± 0.25[.010] 3 PLC DEC ± - ANGLES ± -		DR 2-22-92 J McCLINTON	AMP Incorporated Harrisburg, PA 17105-3508	
MATERIAL		CHK 4-1-92 R STONE		
FINISH SHELL: ② CONTACTS: ③		APPD 4-2-92 D WEYANDT	NAME PLUG ASSEMBLY, 50 POSITION, .050 SERIES AMPLIMITE™, TERMINATOR	
APPLICATION SPEC		APPD 4-2-92 J FULPONI	SIZE D	CAGE CODE 00779
WEIGHT		PRODUCT SPEC	DRAWING NO 869546	SHEET 1 OF 1
			SCALE 4:1	