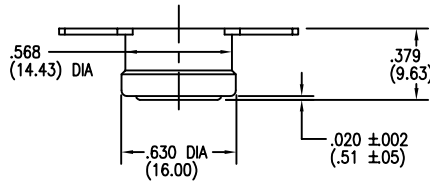
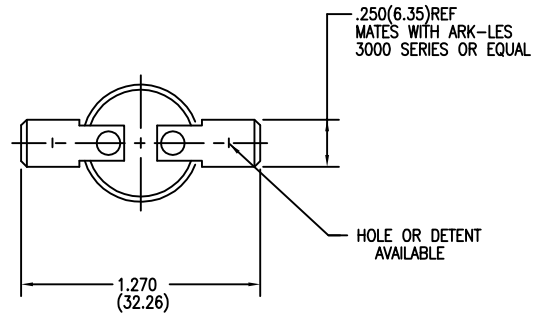


2

1

HONEYWELL PART NUMBER
-

REV	DOCUMENT	CHANGED BY	CHECK
A	0042617	MBH 25AUG08	ASD



B

B

A

A

DESIGN UNITS: INCH			
TOLERANCES UNLESS NOTED: DEC:±.015 MMS:±.38			
NO PLACES	X	±	-
ONE PLACE	.X	±	-
TWO PLACE	.XX	±	-
THREE PLACE	.XXX	±	.015
ANGLES	X	±	-

DRAWN	DJD	23AUG89
CHECK	EJ	23AUG89

Honeywell

THIS DRAWING COVERS A PROPRIETARY ITEM AND IS THE PROPERTY OF HONEYWELL. THIS DRAWING IS NOT TO BE COPIED OR USED WITHOUT THE PERMISSION OF HONEYWELL.

TITLE		THERMOSTAT		
SIZE	TYPE	CAGE CODE	DRAWING NAME	REV
A	E	14604	2450-4	A

THIRD ANGLE PROJECTION

INTERPRET PER ASME Y14.5M-1994 OTHER HONEYWELL ENGINEERING STANDARDS MAY APPLY	
AUTOCAD	2D

SCALE	2:1	SHEET	1 OF 10
-------	-----	-------	---------

2

1

1