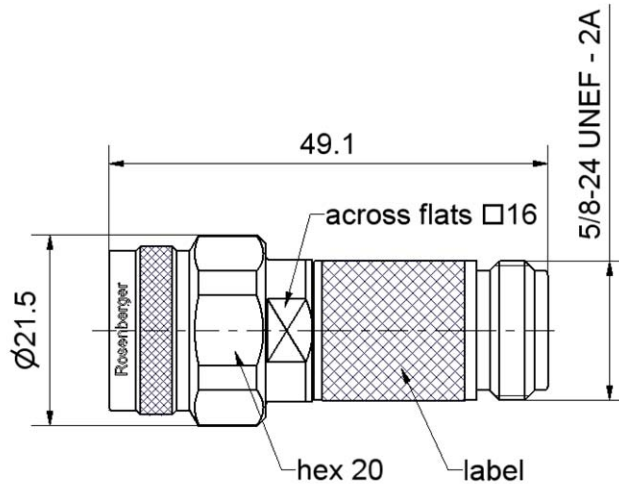


RPC-N  
50 Ω

Attenuator  
Plug/Jack

**05AS102-K06S3**



All dimensions are in mm; tolerances according to ISO 2768 m-H

**Interface**

According to

IEC 61169-16 ; CECC 22 210 ; MIL-STD 348A/402

**Documents**

N/A

**Material and plating**

**Connector parts**

- Center conductor - plug
- Center conductor - jack
- Outer conductor
- Coupling nut
- Dielectric
- Substrate

**Material**

- Brass
- Beryllium copper
- Stainless steel
- Stainless steel
- PPE
- Al<sub>2</sub>O<sub>3</sub>

**Plating**

- Gold, min. 1.27 μm, over nickel
- Gold, min. 1.27 μm, over nickel
- Passivated
- Passivated

Dieses Dokument ist urheberrechtlich geschützt • This document is protected by copyright • Rosenberger Hochfrequenztechnik GmbH & Co. KG

RF\_35/05.10/6.0

RPC-N  
50 Ω Attenuator  
Plug/Jack

**05AS102-K06S3**

**Electrical data**

Impedance 50 Ω  
 Frequency range DC to 18 GHz  
 Return loss ≥ 26.4 dB, DC to 4 GHz  
 ≥ 23.1 dB, 4 GHz to 12.4 GHz  
 ≥ 19.1 dB, 12.4 GHz to 18 GHz  
 Attenuation 6 dB ± 0.3 dB, DC to 8 GHz  
 6 dB ± 0.5 dB, 8 GHz to 12.4 GHz  
 6 dB ± 0.8 dB, 12.4 GHz to 18 GHz  
 Power handling 2 W at 25 °C

**Mechanical data**

Mating cycles ≥ 500  
 Maximum torque 1.70 Nm  
 Recommended torque 1.10 Nm  
 Gauge - plug 5.28 mm to 5.36 mm  
 Gauge - jack 5.18 mm to 5.26 mm

**Environmental data**

Operating temperature range<sup>1</sup> 0 °C to +50 °C  
 Storage temperature range -40 °C to +85 °C  
 2002/95/EC (RoHS) compliant

<sup>1</sup> Temperature range over which these specifications are valid.

**Packing**

Standard 1 pce in box  
 Weight 59.0 g/pce

While the information has been carefully compiled to the best of our knowledge, nothing is intended as representation or warranty on our part and no statement herein shall be construed as recommendation to infringe existing patents. In the effort to improve our products, we reserve the right to make changes judged to be necessary.

Draft	Date	Approved	Date	Rev.	Engineering change number	Name	Date
Kerstin Herzog	06/01/05	Frank Weiß	24/01/12	e00	11-0832	Marion Striegler	19/01/12

Rosenberger Hochfrequenztechnik GmbH & Co. KG  
 P.O.Box 1260 D-84526 Tittmoning Germany  
[www.rosenberger.de](http://www.rosenberger.de)

Tel. : +49 8684 18-0  
 Fax : +49 8684 18-499  
 Email : [info@rosenberger.de](mailto:info@rosenberger.de)

Page  
 2 / 2