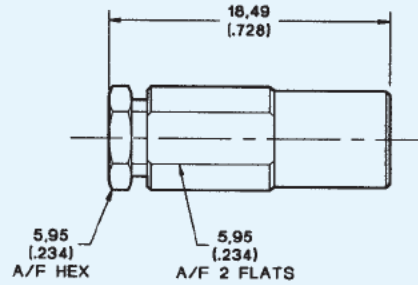


Straight Plugs and Jacks

SMB CONNECTORS HAVE SOLDER CENTER CONTACTS

Straight Clamp Plug

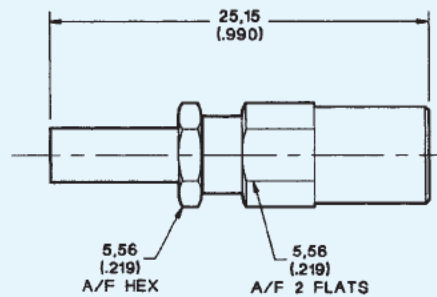
Part Number	Cable Numbers
B51-007-0000220	RG174/U, 316/U
B51-007-3196220	RG178/U, 196/U



Assembly Instruction BBAI-1213 (Page 135)

Straight Crimp Plug

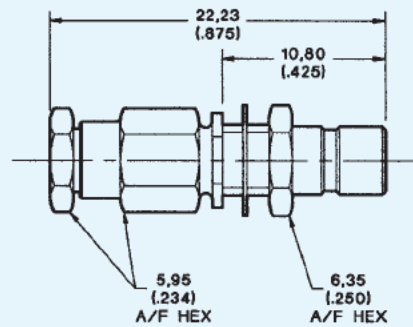
Part Number	Cable Numbers
B51-024-0000220	RG174/U, 316/U
B51-024-3196220	RG178/U, 196/U
B51-024-9399220	RD316, 179



Assembly Instruction BAI-003 (Page 122)

Straight Clamp Bulkhead Jack

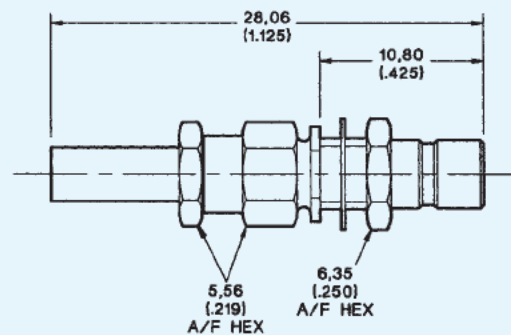
Part Number	Cable Numbers
051-010-0000220	RG174/U, 316/U
051-010-3196220	RG178/U, 196/U



Mounting Plan V (Page 109). Assembly Instruction BAI-001 (Page 130)

Straight Crimp Bulkhead Jack

Part Number	Cable Numbers
051-027-0000220	RG174/U, 316/U
051-027-3196220	RG178/U, 196/U
051-027-9399220	RD316, 179



Mounting Plan V (Page 109). Assembly Instruction BAI-003 (Page 122)