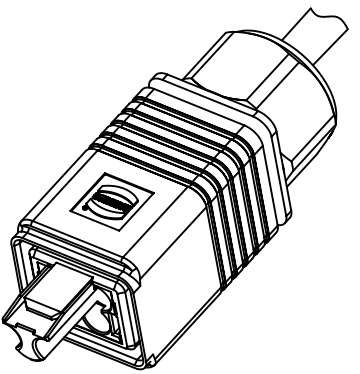
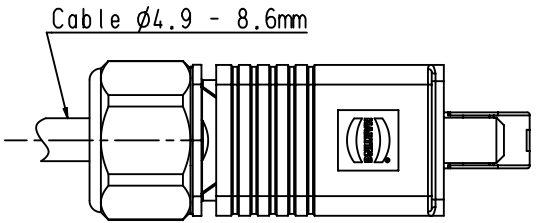


A

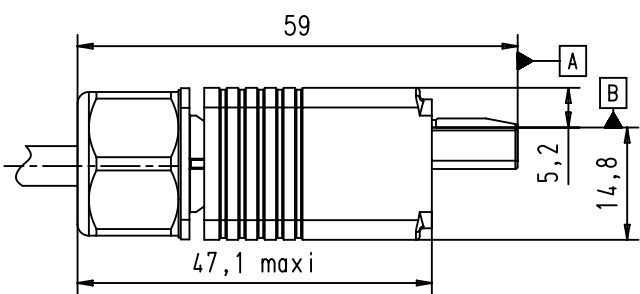
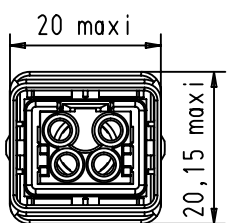
B

C

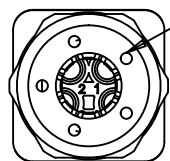
D



SCALE 1:1



On request : color ring for Pg9 nut
TB 09 45 840 001X



Cable outer diameter from 4,9 mm to 8,6 mm

Usable crimp contacts (please order separatly)

- 4x male crimp contacts 09 46 500 0403 0.75mm² (AWG 20)
- 4x male crimp contacts 09 46 500 0407 1.0mm² (AWG 18)
- 4x male crimp contacts 09 46 500 0401 1.5mm² (AWG 16-14)
- 4x male crimp contacts 09 46 500 0405 2.5mm² (AWG 12)

| | | | | | | |
|---|--|--|------------------------|------------------------|-----------------|--|
| | All Dimensions in mm Original Size DIN A4 | Scale 1:1 | Free size tol. | | | Ref. |
| | All rights reserved Department EC PD - FR | Created by DOUGE | Inspected by BAGDIKIAN | Standardisation KOHLER | Date 2012-07-20 | State Final Release |
| HARTING Electronics GmbH D-32339 Espelkamp | | Title HPP V4 Power plug 48V/12A 4p w/o contact | | | | Doc-Key / ECM-Nr. 100227209/UGD/001/A |
| | | Type TB | Number 09461454401 | | | Rev. A Page 1/1 |