

PART NAME: HANDLE SCALE: 1:1 DATE: 7/15/70 DR. BY AA

THIS DRAWING IS THE PROPERTY OF DAVIES MOLDING COMPANY, IS SUBMITTED SOLELY AS A DESIGN OR ENGINEERING PROJECT. WE ACCEPT NO RESPONSIBILITY WHATSOEVER FOR THE PRACTICAL APPLICATION OF THE PIECES MADE TO THIS DESIGN.

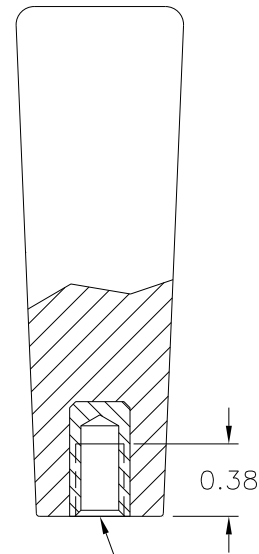
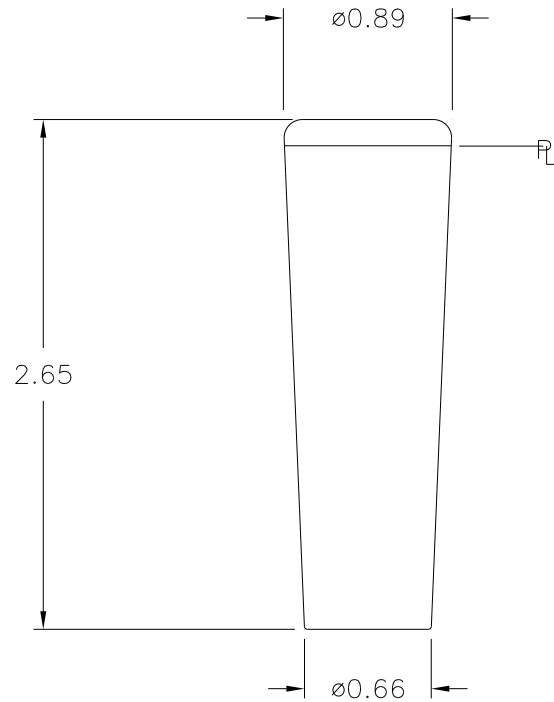


DESIGNERS & MANUFACTURERS OF KNOBS, HANDLES, CASES & CUSTOM PLASTIC COMPONENTS

P/N 0692AT

M^{NO.} 0692

CAVITY	0692
PLUNGER	0692
PIN	0692-G
INSERT	10035



1/4-20 UNC-2B THREADED
10035, H.H. BRASS

MATERIAL: G.P. PHENOLIC (B11)
COLOR: BLACK

TOLERANCES: UNLESS OTHERWISE SPECIFIED	DO NOT SCALE DRAWING			
DECIMALS: X.XXX ± .005 X.XX ± .015	MM: X.XX ± 0.15MM X.X ± 0.4MM	-	RE-DID REDRAW	TL 12/3/99
FRACTIONS ± 1/64	ANG. ± 1°	-	CAD REDRAW	HD 6/22/93
CHANGES				