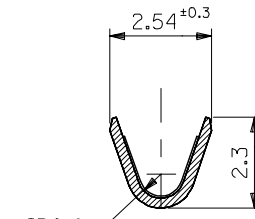
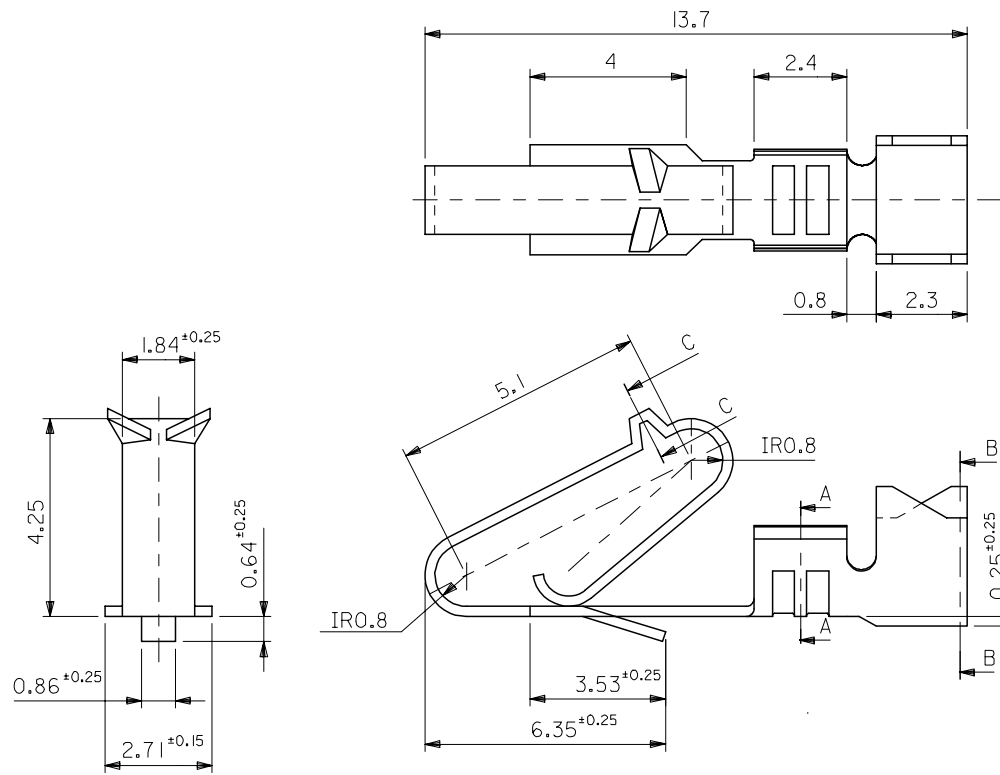
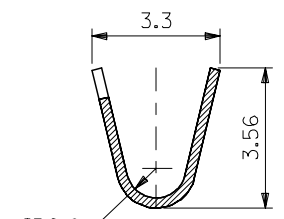


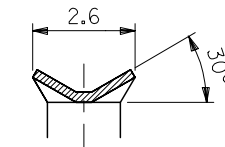
10 9 8 7 6 5 4 3 2 1



断面 A-A  
SECTION A-A



断面 B-B  
SECTION B-B



断面 C-C  
SECTION C-C

注記  
NOTE

一般公差 : ±0.4  
 角度 : ±3°  
 GENERAL TOLERANCES : ±0.4  
 ANGLE : ±3°

MATERIAL  
SEE CHART

磷青銅 PHOSPHOR BRONZE	錫メッキ TIN PLATING	08-70-1034	5167PBTL	バラ状 LOOSE
黄銅 BRASS	銅メッキ TIN OVER COPPER PLATING	08-70-0097	5167PBT	チェーン状 CHAIN
		08-70-0013	5167TL	バラ状 LOOSE
		08-70-0012	5167T	チェーン状 CHAIN
材料 MATERIAL	メッキ PLATE	EDP.NO.	ENG.NO.	形状 FORM

REVISED EC NO: J2005-0061 DRAWN: TANAKA CHKD: NUKITA APPR: NUKITA	GENERAL TOLERANCES (UNLESS SPECIFIED)		DIMENSION STYLE MM ONLY	SCALE 8:1	DESIGN UNITS METRIC	THIRD ANGLE PROJECTION
	10 UNDER	±0.2	DRAWN BY MHANAMUR	DATE 1996/05/23	TITLE STD KK CRIMP REC	
	10 OVER 30 UNDER	±0.25	CHECKED BY MFUKUSHI	DATE 1996/05/23	APPROVED BY MENOMOTO	
	30 OVER	±0.3	DATE 1996/05/23	MATERIAL NO. SEE CHART		
	ANGULAR ±3°	DRAFT WHERE APPLICABLE MUST REMAIN WITHIN DIMENSIONS	SIZE A3	DOCUMENT NO. SD-5167*	SHEET NO. 1 OF 1	