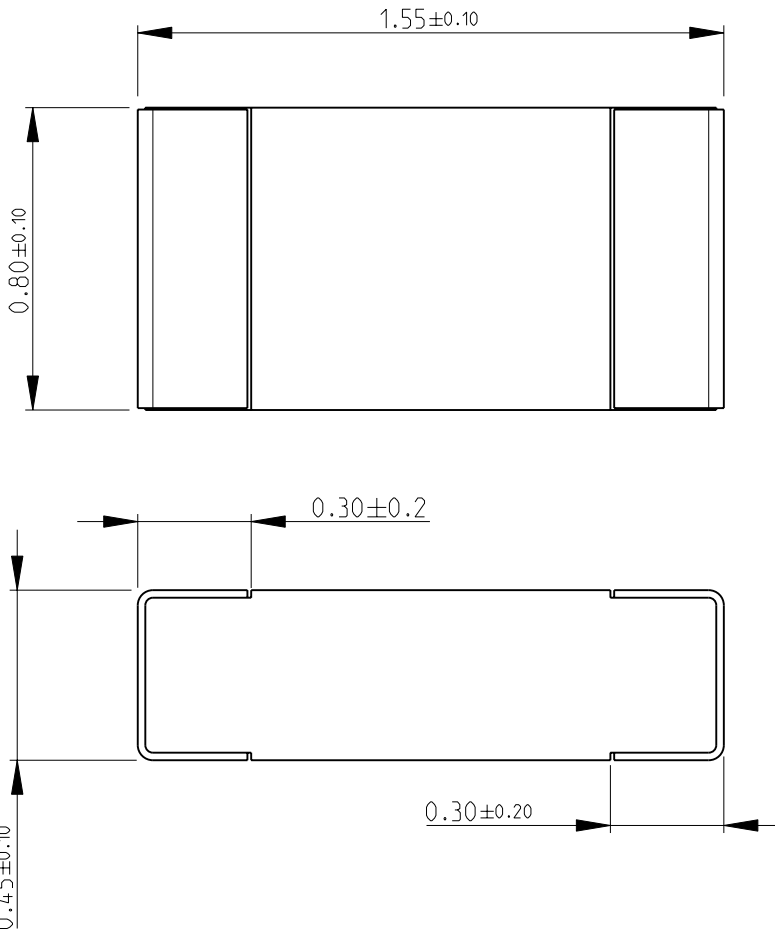
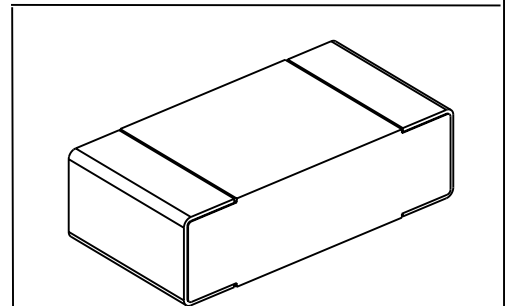
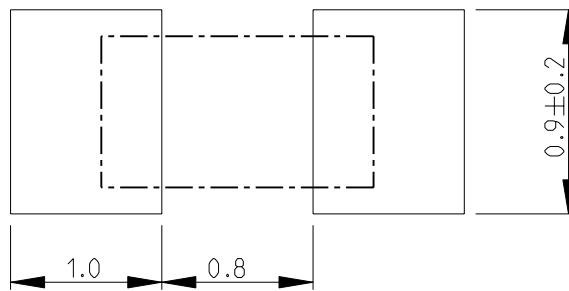


LOC	DIST	REVISIONS					
E	B	P	LTR	DESCRIPTION	DATE	DWN	APVD
			BA	NEW RELEASE	20SEP2010	PT	St.P

FOR FURTHER INFORMATION SEE DATA SHEET FOR  
RN73 SERIES-HIGH PRECISION RESISTORS (SMD)



RECOMMENDED LAND PATTERN



2010  
 RELEASED FOR PUBLICATION  
 THIS DRAWING IS UNPUBLISHED.  
 BY TYCO ELECTRONICS CORPORATION. ALL RIGHTS RESERVED.  
 COPYRIGHT 2010

DIMENSIONS: mm	DWN	20SEP2010	MATERIAL	FINISH			
	PARUSURAM.T		-	-			
TOLERANCES UNLESS OTHERWISE SPECIFIED:	CHK	20SEP2010	Tyco Electronics Corporation Dorcan, Swindon, SN3 5HH				
	ALLAN.P						
0 PLC ±0.2	APVD	20SEP2010	NAME HIGH PRECISION RESISTORS (SMD) SERIES RN73 1J				
1 PLC ±0.1	STEPHEN.P						
2 PLC ±-	PRODUCT SPEC		SIZE	CAGE CODE	DRAWING NO	RESTRICTED TO	
3 PLC ±-	APPLICATION SPEC		A 4	00779	©- 1879358	-	
4 PLC ±-			WEIGHT				
ANGLES ±5°			-				
		CUSTOMER DRAWING		SCALE	20:1	SHEET 1 OF 1	REV BA