

PRODUCT NO.

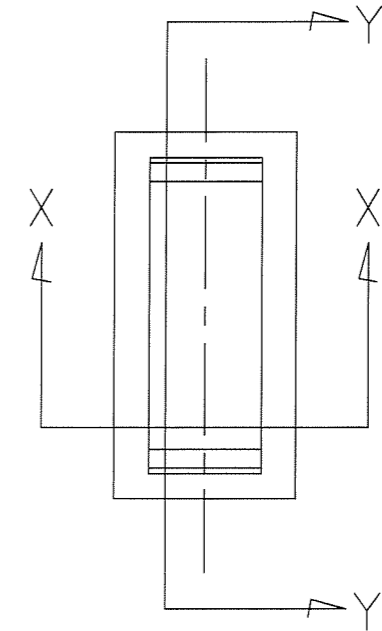
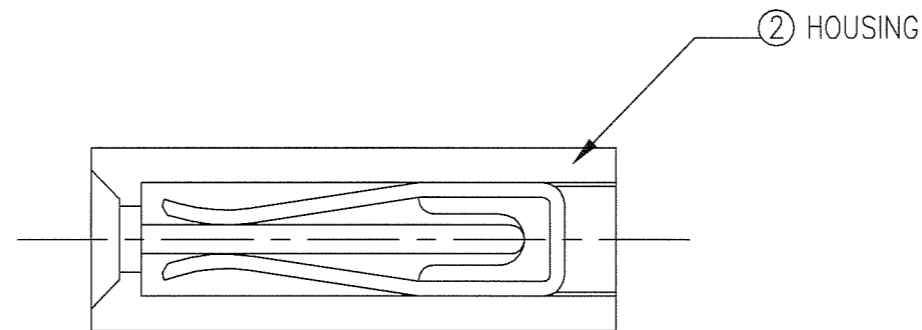
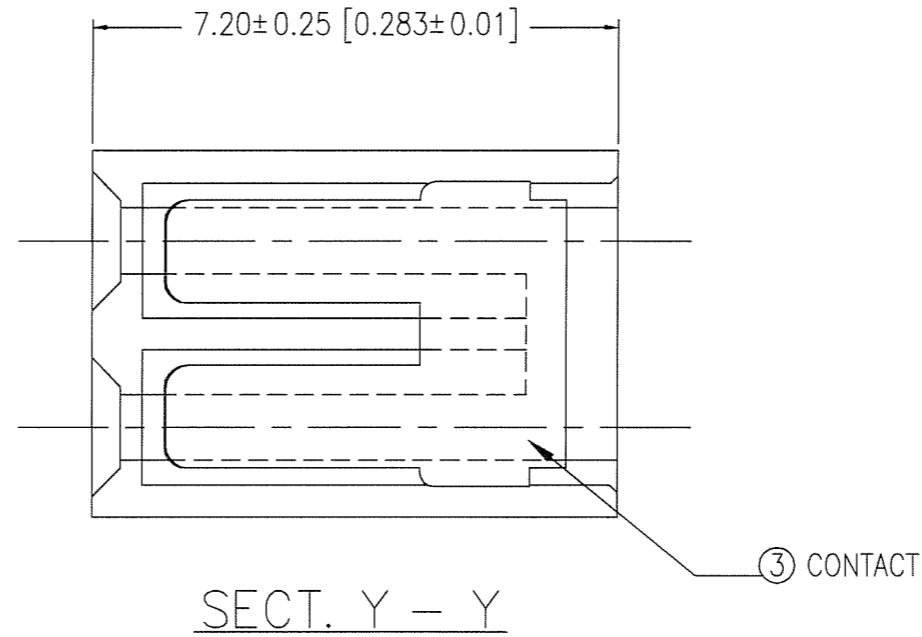
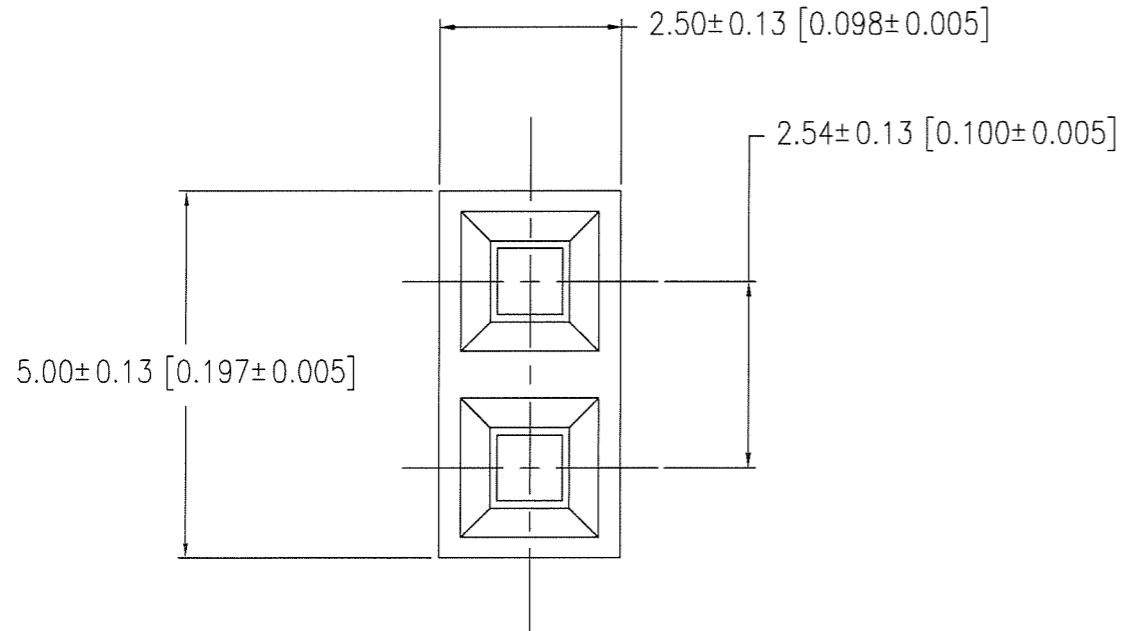
66464-102

FCI CONFIDENTIAL



FCIconnect.com

Copyright FCI



NOTE

1 HEADER :

PIN SIZE 0.64±0.025 [.025±.001], SQUAER PIN

PIN LENGTH 5.84±0.51 [.230±.020]

② HOUSING :

MAT'L 15% GLASS FILLED PBT(UL94-V0)

COLOR BLACK

③ CONTACT :

MAT'L t=0.2[.0079] PHOSPHOR BRONZE PLATING

CONTACT Au 0.5um min. [19u" min.]

OVER Ni 1.27um min. [50u" min.]

OTHER Ni 1.27um min. [50u" min.]

| | | | | | | | | | | |
|-------------|----------------|----------|-----|-----------|---------------------------------------|----------------------------------|----------------------------------|---------------------------------|-------------------------|--|
| mat'l. code | | | | | surface ISO 1302 | tolerance ISO 406 ISO 1101 | projection mm[inch] | product family 5NEF - SHUNTS | CODE JP | |
| ltr | description | ecn no | dr | date | tolerances unless otherwise specified | | scale 10:1 | title 2POS. MINI JUMP CONN. | | |
| C | REVISED | J8334 | F.K | 1986-8-21 | angles | 0.X | | FCI | dwg no 66464 | |
| D | REVISED | J10-0128 | S.W | 2010-5-19 | linear | 0.XX | | | sheet 1 of 1 size A3 | |
| | | | | | 0'±X' | 0.XXX | type Product Customer Drawing | | Rev. D | |
| sheet index | revision sheet | D | | | | | | | | |
| | | 1 | | | | | | | | |