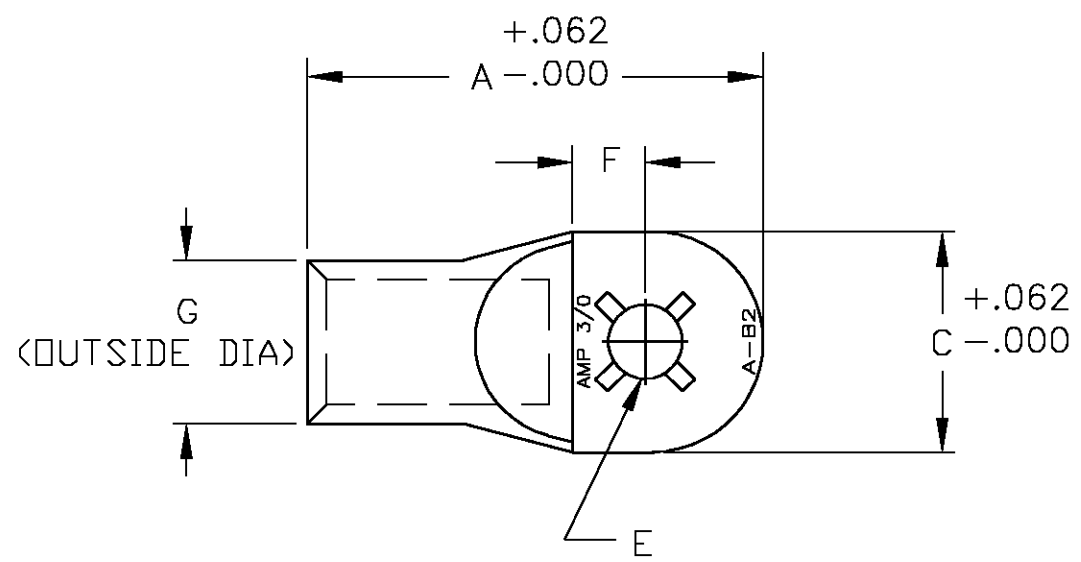
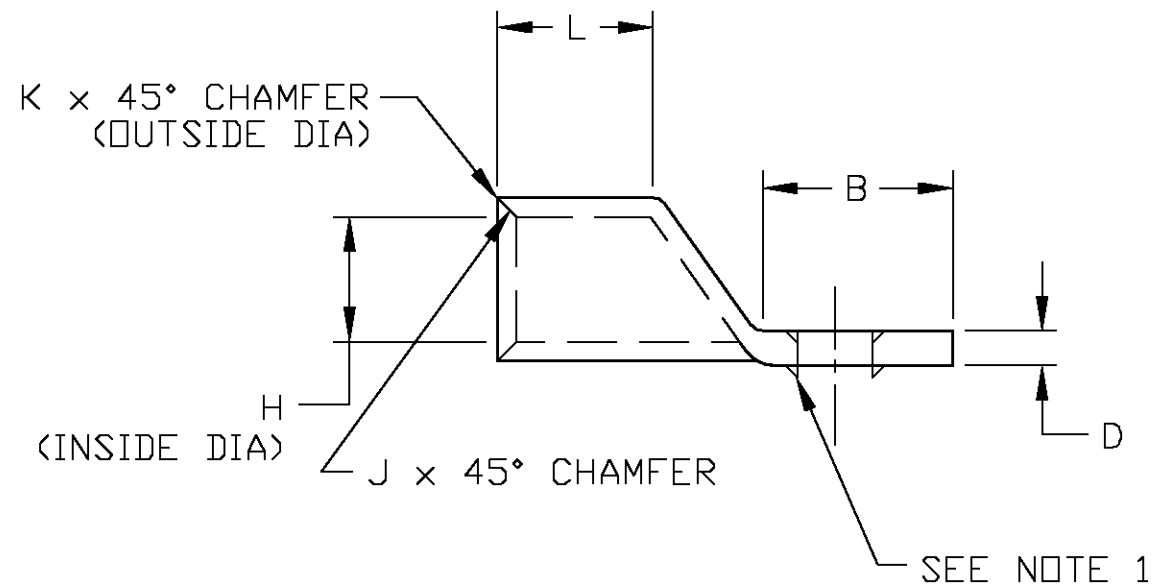


THIS DRAWING IS UNPUBLISHED. RELEASED FOR PUBLICATION
 © COPYRIGHT BY TYCO ELECTRONICS CORPORATION. ALL RIGHTS RESERVED.

LOC	DIST	REVISIONS					
AA	27	P	LTR	DESCRIPTION	DATE	DWN	APVD
		D		REV PER 0G3A-0088-05	01JUN05	JR	MS



1. LOCKING LANCE FOR P/N -1 & -5 ONLY.



	.250	.812	.016	.031	.578	.766	.438	ø.27	.188	1.09	.938	2.328	606297-5
	.250	.812	.016	.031	.578	.766	.438	ø.27	.188	1.09	.938	2.328	606297-4
OBSOLETE	.375	.812	.016	.031	.578	.766	.438	ø.39	.188	1.09	.938	2.328	606297-3
	.500	.812	.016	.031	.578	.766	.438	ø.52	.188	1.09	.938	2.328	606297-2
OBSOLETE	.375	.812	.016	.031	.578	.766	.438	ø.39	.188	1.09	.938	2.328	606297-1
BOLT HOLE SIZE	L	K	J	H	G	F	E	D	C	B	A	PART NUMBER	

DIMENSIONS, INCHES

THIS DRAWING IS A CONTROLLED DOCUMENT.		DWN	L. HALL	18APR00	 Tyco Electronics Corporation Harrisburg, Pa 17105-3608
DIMENSIONS: INCHES		CHK	L.H. SMITH	12MAY00	
		APVD	B. ANTHONY	12MAY00	
TOLERANCES UNLESS OTHERWISE SPECIFIED:		PRODUCT SPEC		NAME	
0 PLC ± 1 PLC ± 2 PLC ±.02 3 PLC ±.005 4 PLC ±.0005 ANGLES ±3°		APPLICATION SPEC		AMP TUBULAR TERMINAL 3/0 (ROUND TONGUE)	
MATERIAL		WEIGHT		SIZE	RESTRICTED TO
HIGH CONDUCTIVITY WROUGHT COPPER		-		A300779	
FINISH		CUSTOMER DRAWING		DRAWING NO	REV
ELECTRO TIN PLATE		SCALE 1:1		C-606297	D
		SHEET 1 OF 1			