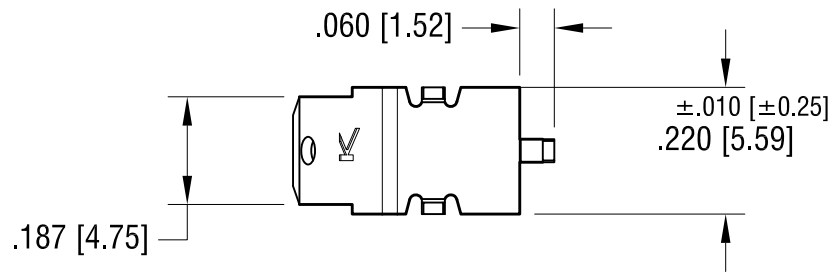
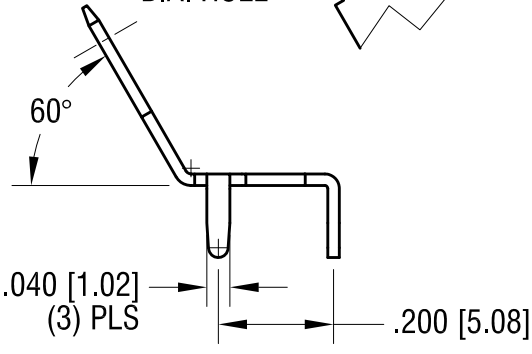
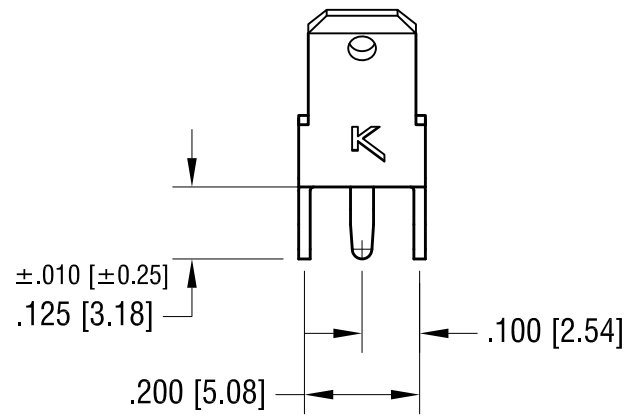
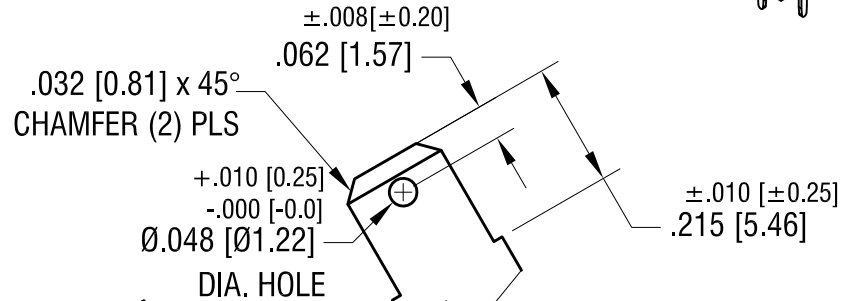
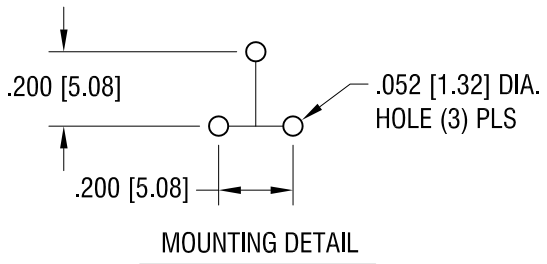


THIS DOCUMENT IS THE PROPERTY OF KEYSTONE ELECTRONICS CORP. AND SHALL NOT BE REPRODUCED, DISTRIBUTED OR USED AS A BASIS FOR MANUFACTURE WITHOUT PRIOR WRITTEN PERMISSION FROM KEYSTONE ELECTRONICS CORP.

ACTUAL SIZE



KEYSTONE ELECTRONICS CORP.			
www.keyelco.com • ASTORIA, N.Y. 11105-2017 • Tel (718) 956-8900			
PART NAME			
.187 [4.76] PC QUICK-FIT TERMINAL			
MATERIAL			
.020 [0.50] TH'K BRASS			
FINISH		DRN BY	DATE
MATTE TIN PLATE		NT	5.20.13
		APP'D	SCALE
		LN	3X
TOLERANCES	INCH	[MM]	CODE
DECIMAL	± .005	[± 0.13]	C
ANGULAR	± 1°		DWG NO.
UNLESS OTHERWISE SPECIFIED			4920

DATE	DESCRIPTION	REV.