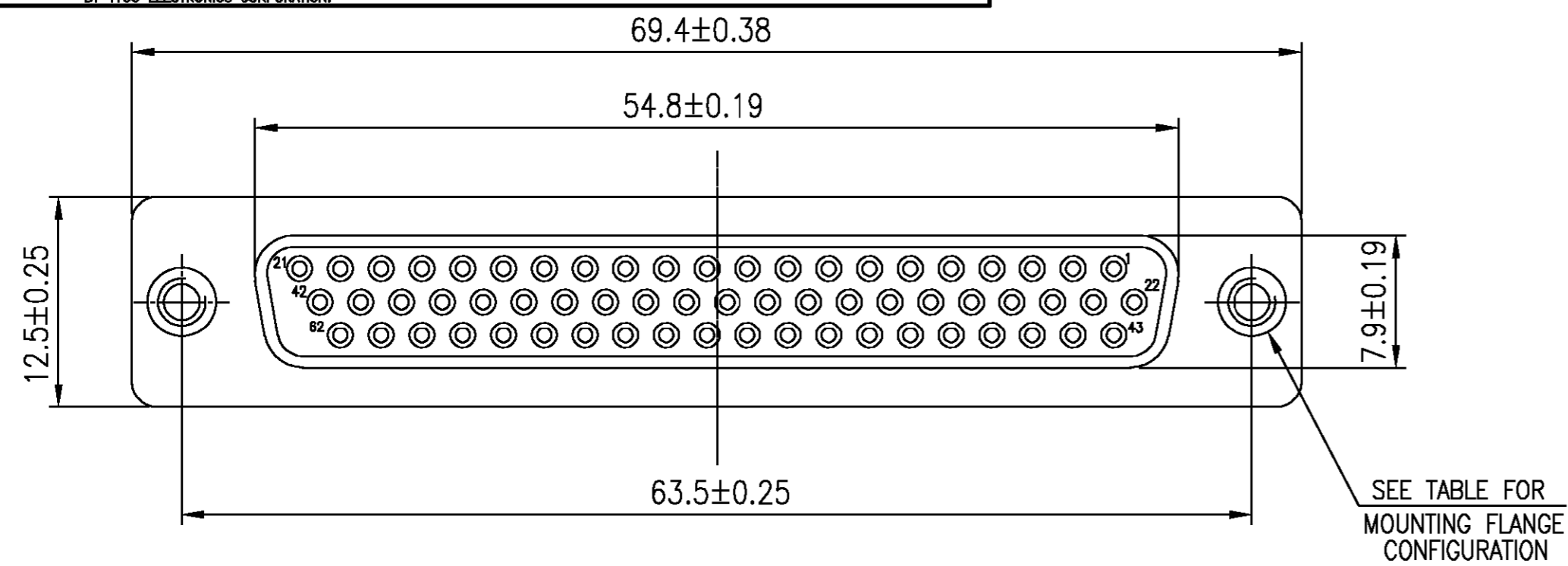


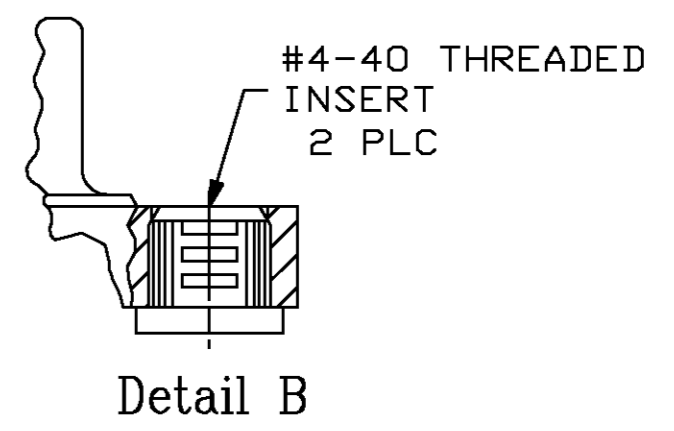
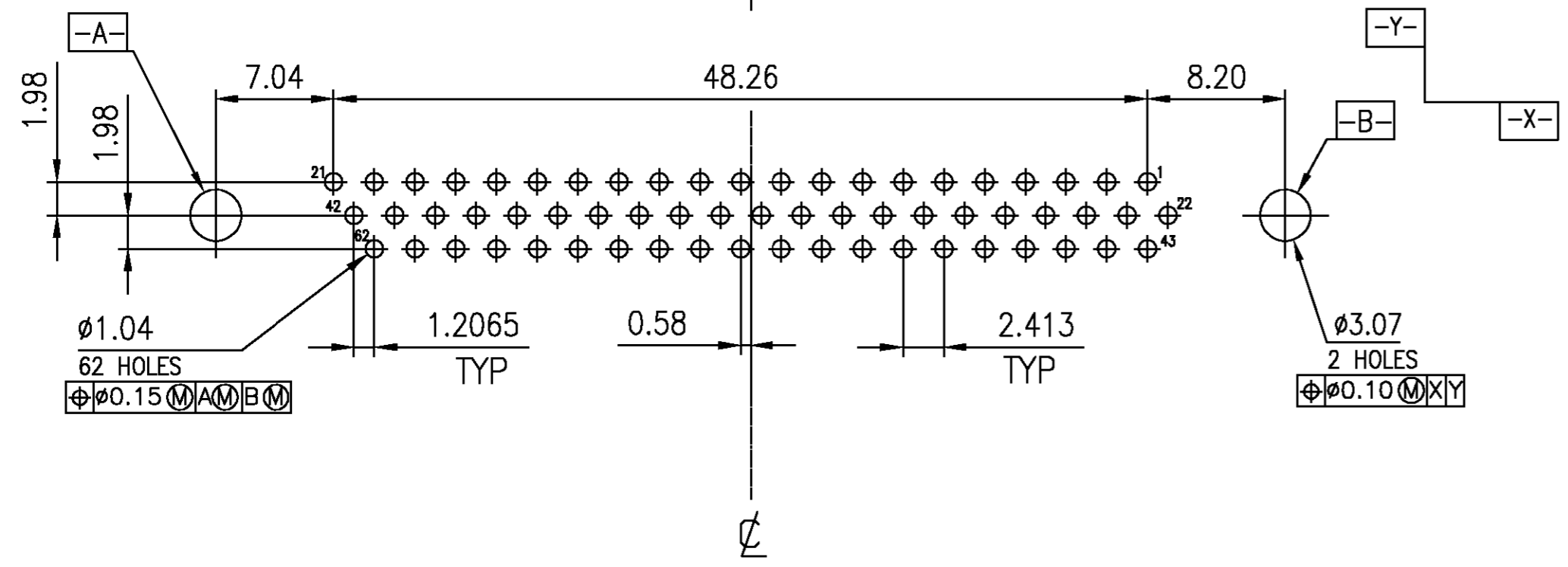
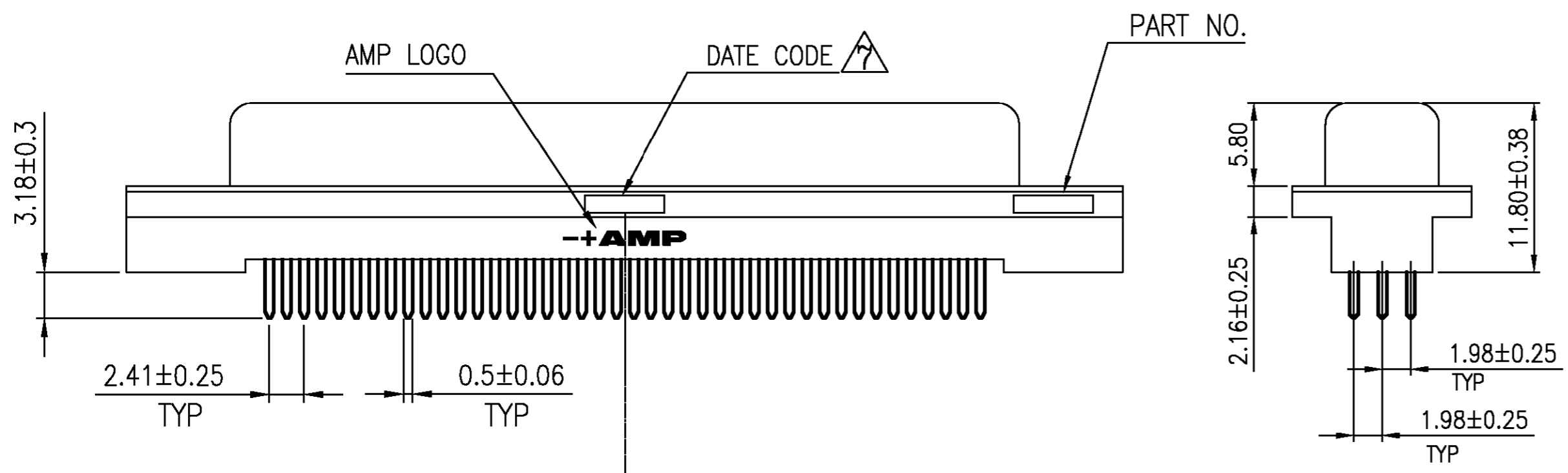
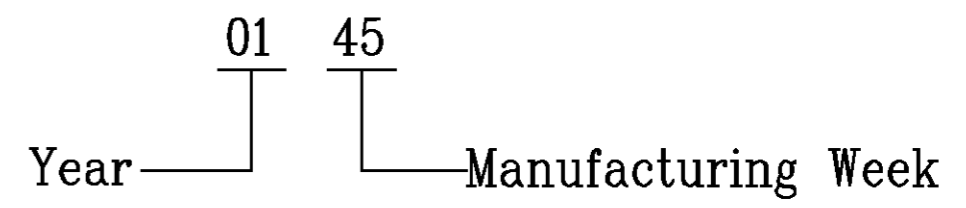
LOC		DIST		REVISIONS			
GP	0	P	LTR	DESCRIPTION	DATE	DWN	APVD
		S		REVISED PER OS13-0254-02	26JULY02	JB	CC



MATERIAL:

- Housing: PBT , 30 % G.F polyester, Black. (UL 94V-0 Rated)
- Contact: Phos. Bronze.
- Contact Plated: Gold Plated over 50u" Nickel underplated.
- Solder Tail: Sn/Pb Plated 120u" over 50u" Nickel underplated.
- Shell: Steel, Nickel Plated.
- Rivet: Brass, Nickel plated 30u" Min.

△ Four digit date code in this format.



Tray	Detail B	Gold flash	3-747786-4
Tray	Detail B	15 μ"	3-747786-3
Tray	Detail B	30 μ"	747786-6
Packaging	Mounting Flange Config	Contact Finish	AMP Part NO.

RECOMMENDED PCB LAYOUT

THIS DRAWING IS A CONTROLLED DOCUMENT.		DWN: J.BURWELL 07JUN02	Tyco Electronics Corporation	
DIMENSIONS: MM		CHK: C.CASH 07JUN02	APVD: -	
TOLERANCES UNLESS OTHERWISE SPECIFIED:		NAME: AMPLIMITE HD-22		
0 PLC ± -	1 PLC ± 0.30	PRODUCT SPEC: -		
2 PLC ± 0.20	3 PLC ± 0.10	APPLICATION SPEC: -		
4 PLC ± -	ANGLES ± 2°	SIZE: A2		
MATERIAL: -	FINISH: -	WEIGHT: -	CAGE CODE: 00779	DRAWING NO: 747786
CUSTOMER DRAWING		SCALE: 4:1	SHEET: 1 OF 1	REV: S

747786