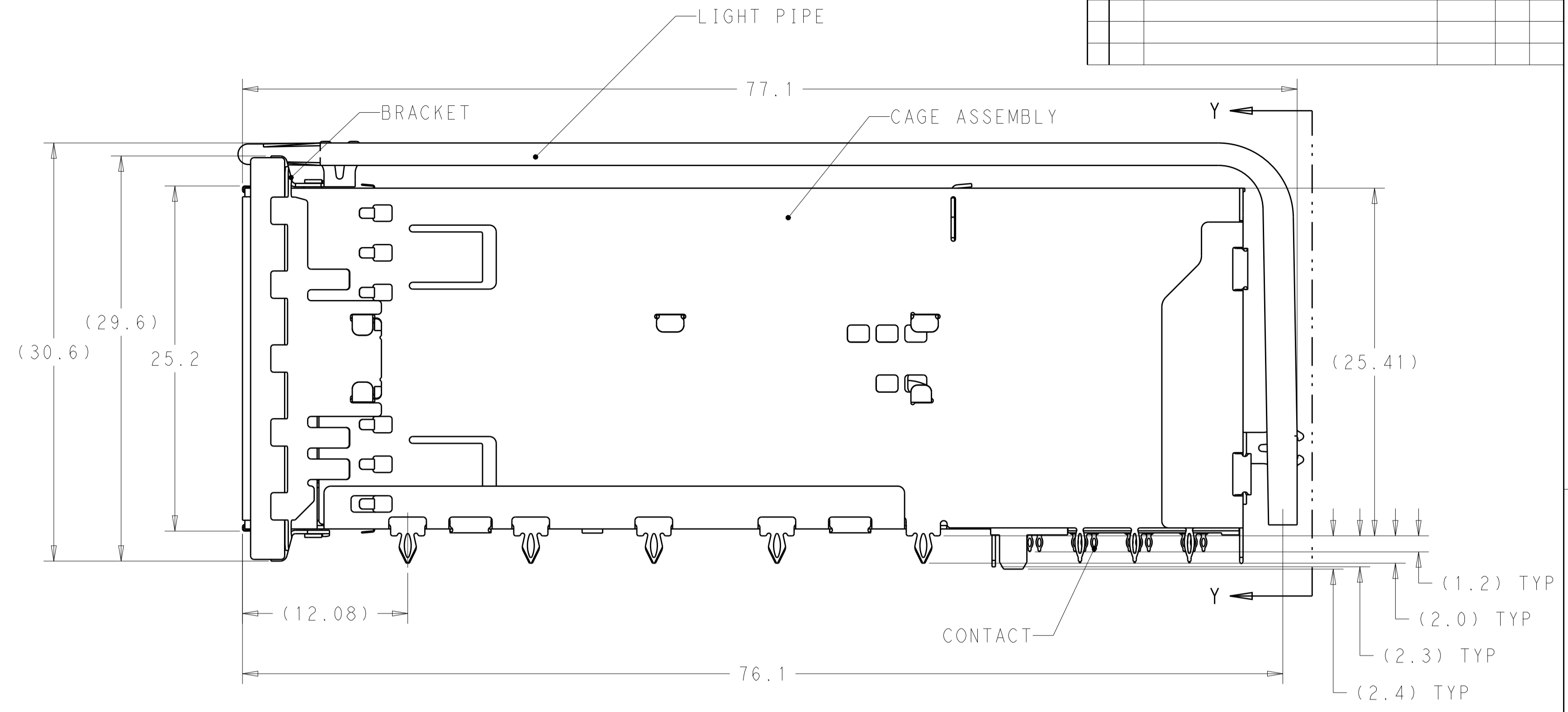
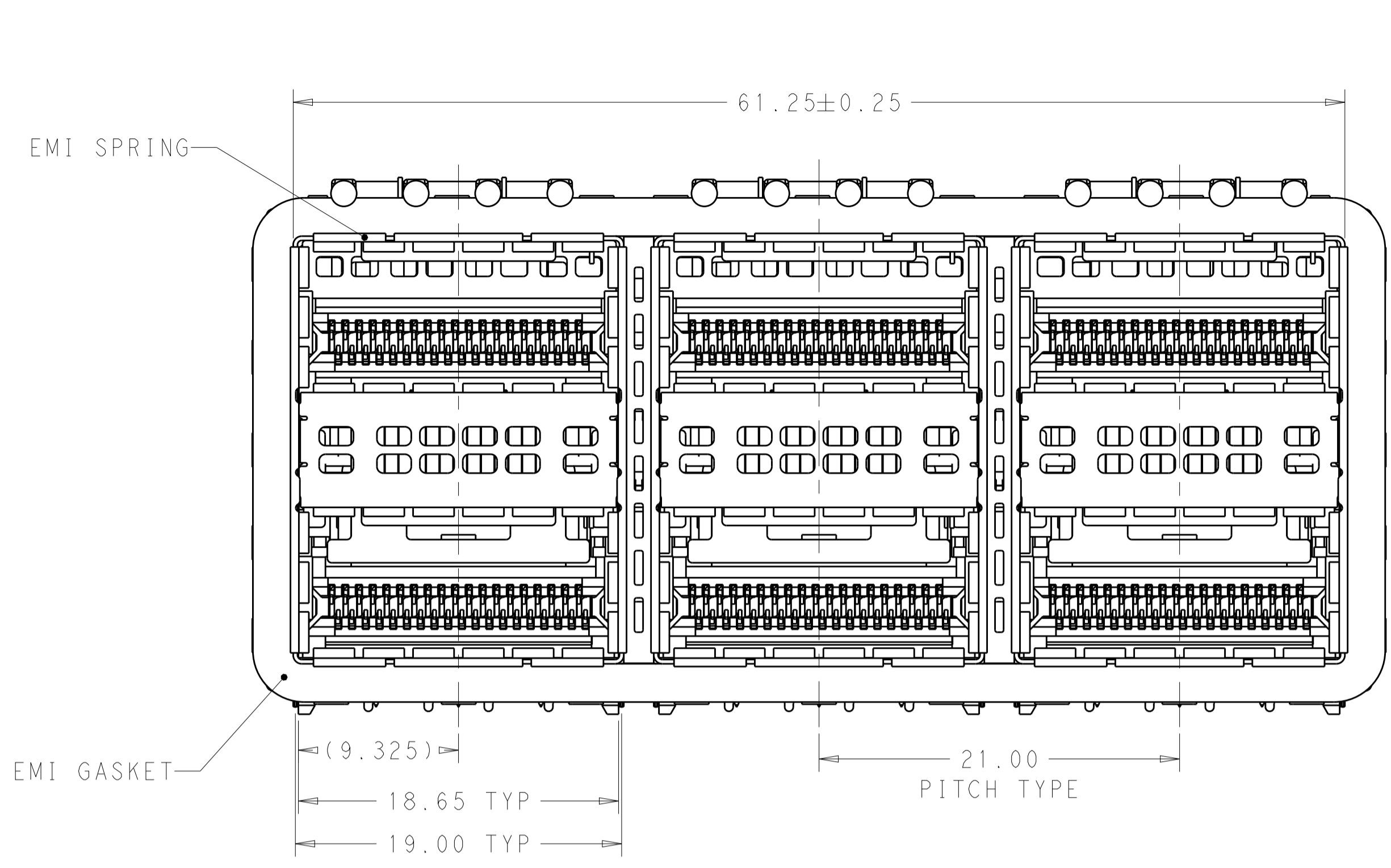
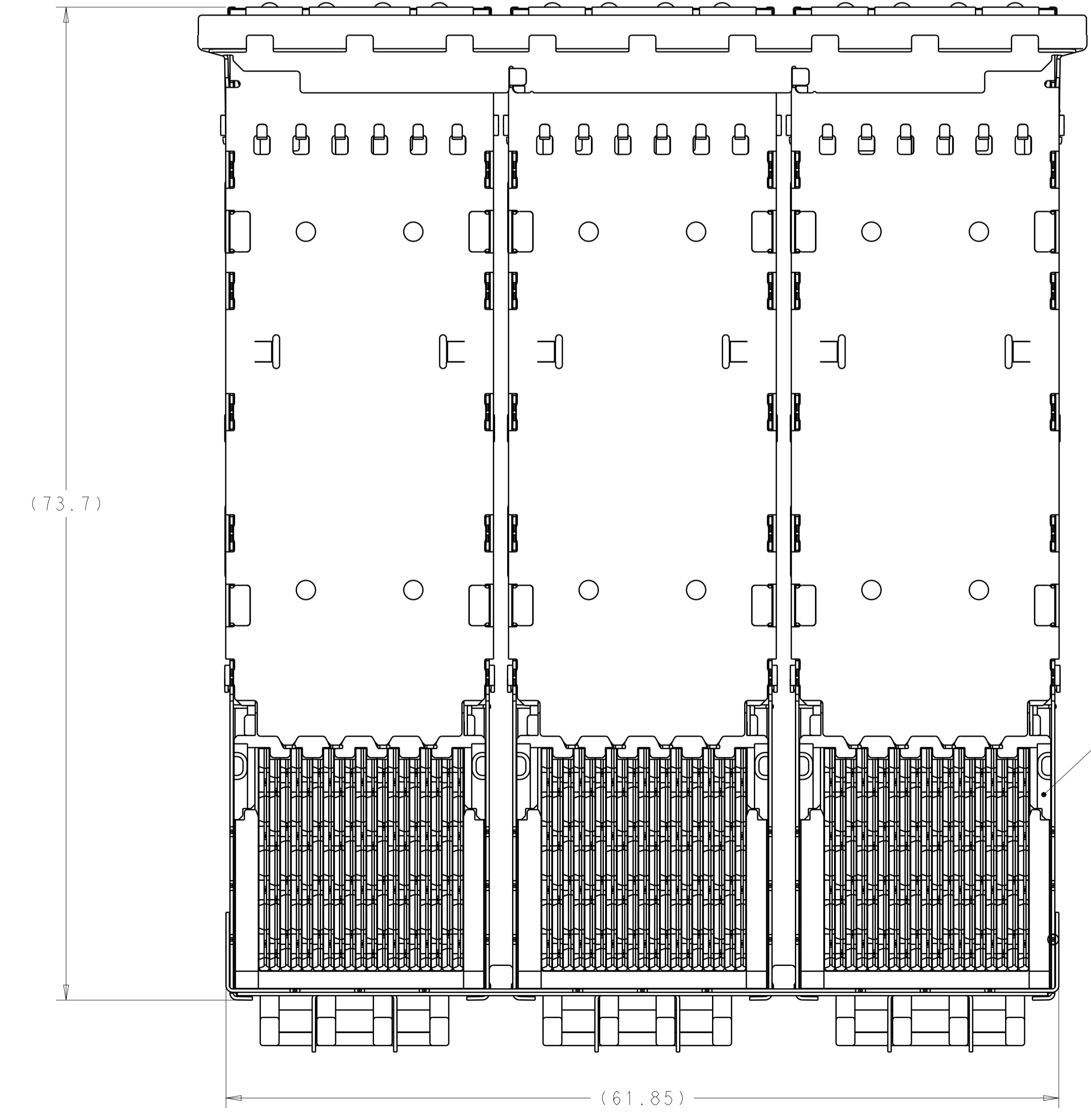


REVISIONS				
P.	LTM	DESCRIPTION	DATE	OWN APVD
A		PROMOTE TO PRODUCTION	04NOV2016	TX SH



2170610-1 AS SHOWN

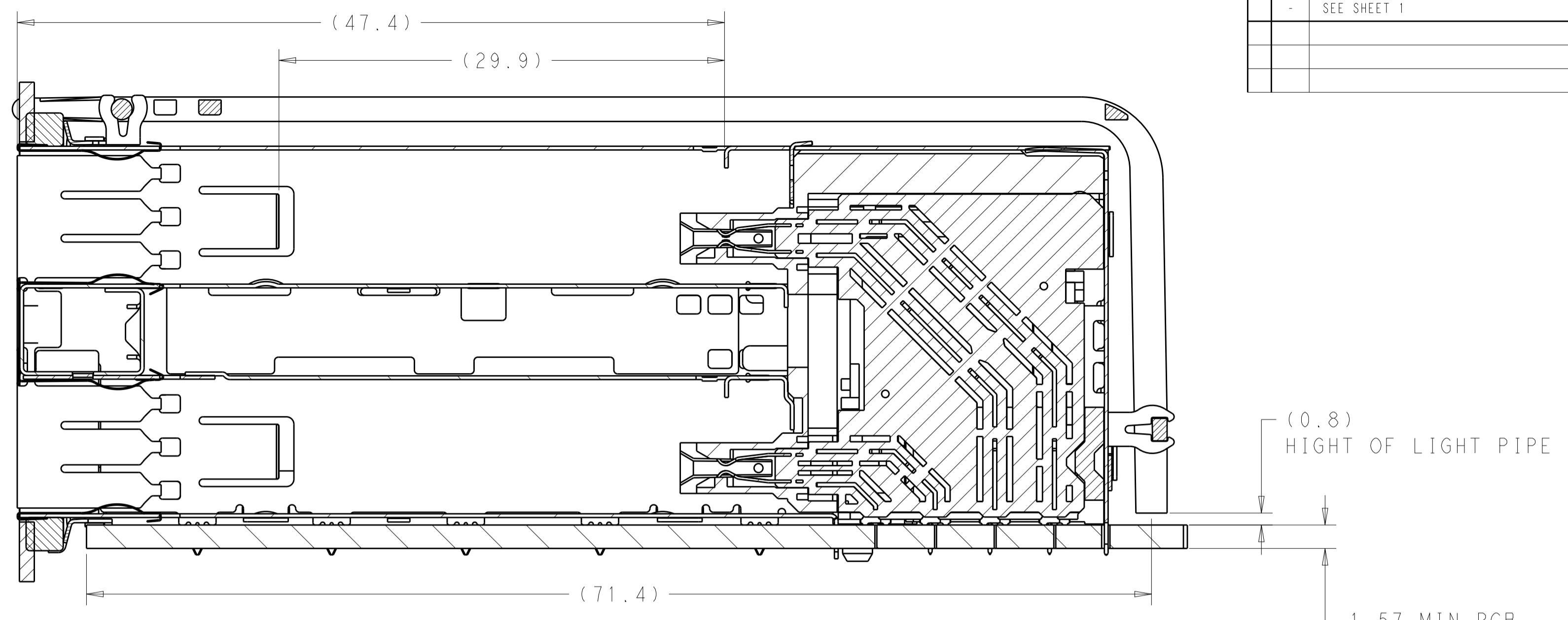
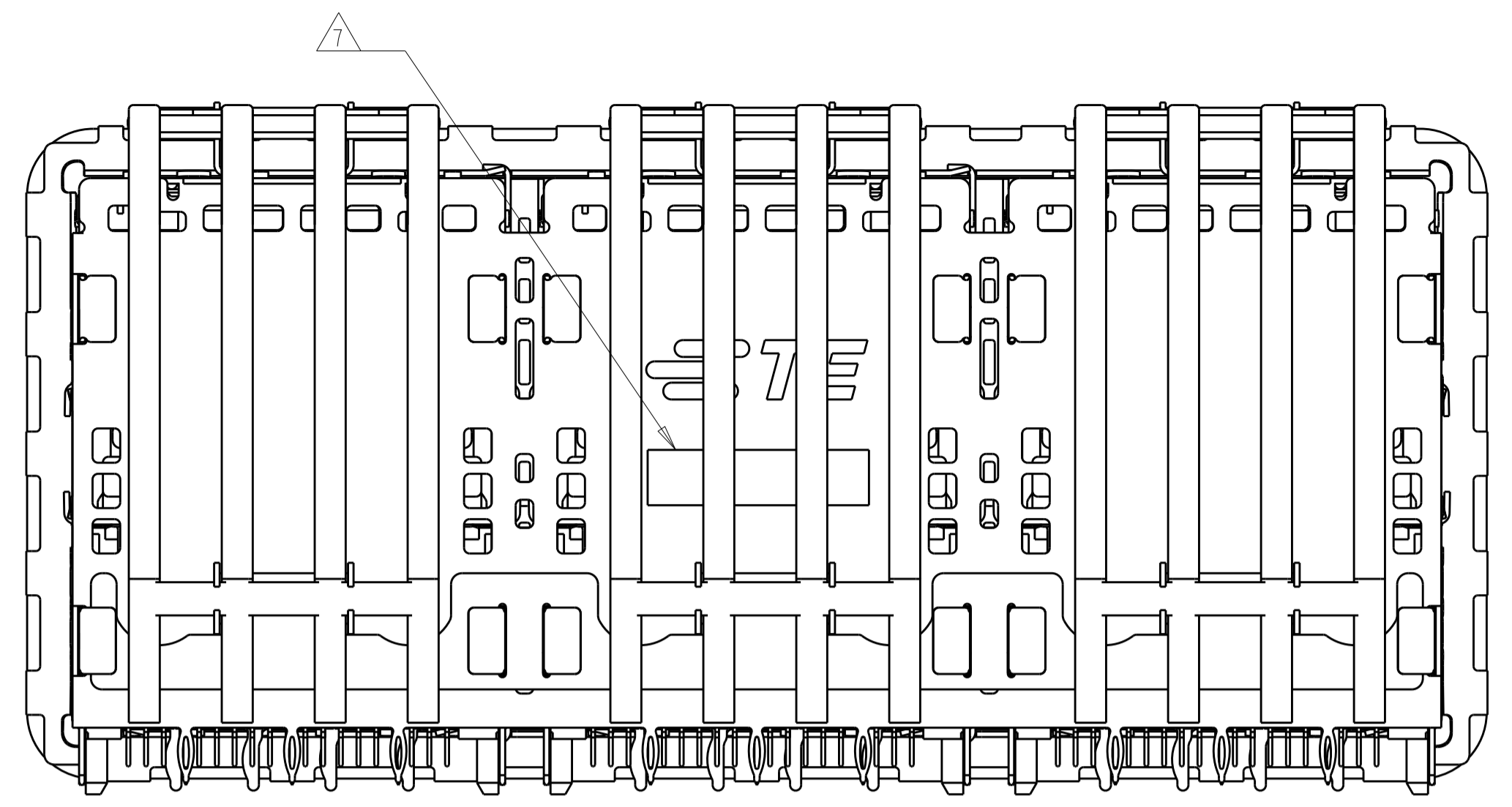


- MATERIALS:
 CAGE ASSEMBLY- NICKEL SILVER ALLOY PER ASTM B 122.
 BRACKET- STAINLESS STEEL.
 EMI SPRING- COPPER ALLOY, NICKEL PLATED.
 EMI GASKET- PLATED FILLED SILICONE WITH 94V-0.
 HOUSING- POLYESTER LCP WITH 94V-0.
 CHICKLET- POLYESTER LCP WITH 94V-0.
 CONTACT- COPPER ALLOY.
 LIGHTPIPE- POLYCARBONATE WITH 94V-0.
- CONTACT FINISH: $0.76\mu\text{m}$ GOLD ON MATING END, $1.25\mu\text{m}$ MATT TIN ON SOLDER TAIL, ALL OVER $1.27\mu\text{m}$ NICKEL.
- DATUM AND BASIC DIMENSION ESTABLISHED BY CUSTOMER.
- MINIMUM PCB THICKNESS: 1.57mm .
- THE ENTIRE AREA OF THE CONNECTOR FOOTPRINT, INDICATED BY THE DASHED LINE, TO BE CONSIDERED THE KEEPOUT AREA FOR COMPONENTS.
- CROSS-HATCHED AREAS REPRESENT ZONES ON THE PCB THAT COME IN CONTACT WITH OR BE IN CLOSE PROXIMITY TO THE PLASTIC HOUSING OR THE CONNECTOR CAGE. INDICATED AREAS TO BE CONSIDERED TRACE FREE.
- PART NUMBER AND DATE CODE MARKED IN APPROXIMATE AREA SHOWN.
- HATCHED AREA IS PLACEMENT ZONE FOR LED. LED SHOULD BE CENTERED WITHIN ZONE. RECOMMEND 0805 PACKAGE.
- CONTACT FINISH: $0.08\mu\text{m}$ MINIMUM GOLD OVER $0.68\mu\text{m}$ PALLADIUM-NICKEL ON MATING END, $1.25\mu\text{m}$ MATT TIN ON SOLDER TAIL, ALL OVER $1.27\mu\text{m}$ NICKEL.

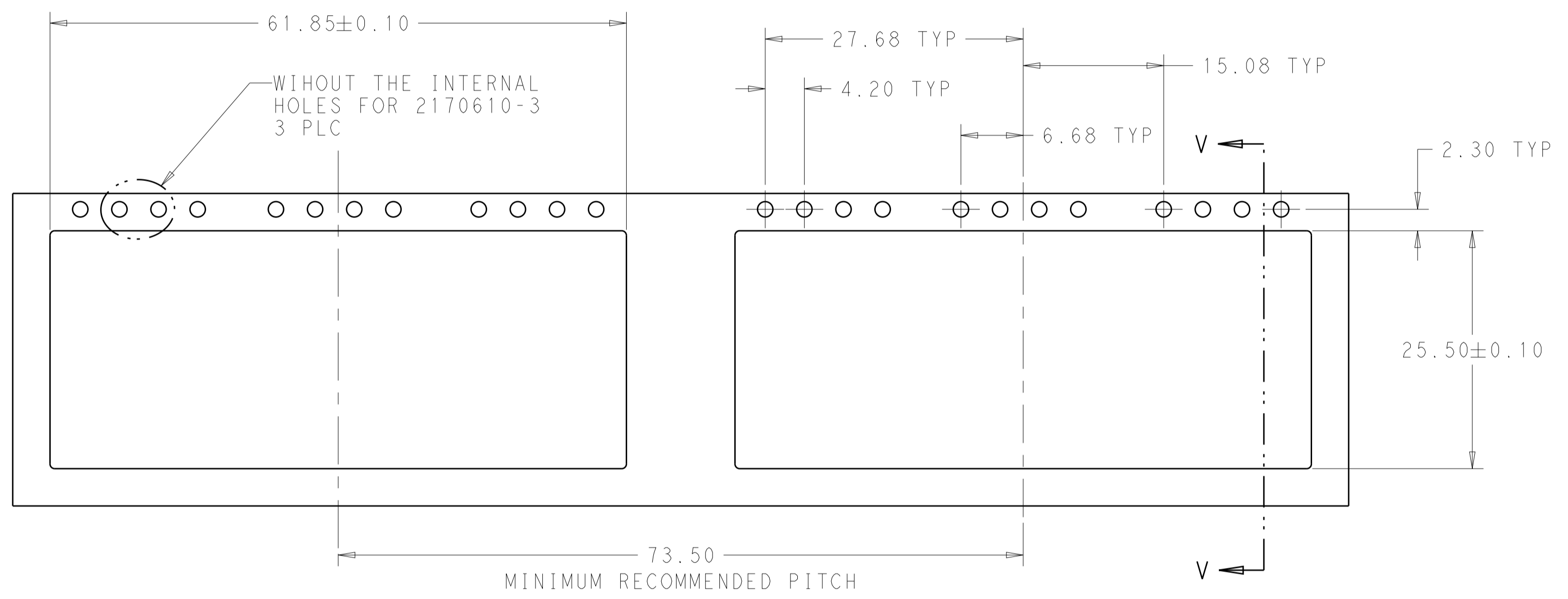
CONTACT FINISHED	DESCRIPTION	PART NUMBER
2	Au PLATING	2170610-3
9	Pd-Ni PLATING	2170610-2
2	Au PLATING	2170610-1

THIS DRAWING IS A CONTROLLED DOCUMENT.		OWN: REVIN DING 21OCT13	TE Connectivity
DIMENSIONS: mm		CHK: JASON YANG 21OCT13	
TOLERANCES UNLESS OTHERWISE SPECIFIED:		APVD: JASON YANG 21OCT13	NAME: CAGE AND CONNECTOR ASSEMBLY, WITH EMI GASKET, 2X3, THERMAL FOOTPRINT, ZQSPF+STACKED PRODUCT SPEC: 108-60102 APPLICATION SPEC: 114-60015 SIZE: CAGE CODE DRAWING NO: A100779 WEIGHT: - CUSTOMER DRAWING
0 PLC ± 1 PLC ±0.25 2 PLC ±0.15 3 PLC ± 4 PLC ± ANGLES ±7°		FINISH: SEE NOTE 2 WEIGHT: - SCALE: 4:1	
MATERIAL: SEE NOTE 1		WEIGHT: - SHEET: 1 OF 4 REV: A	
FINISH: SEE NOTE 2		SCALE: 4:1 SHEET: 1 OF 4 REV: A	

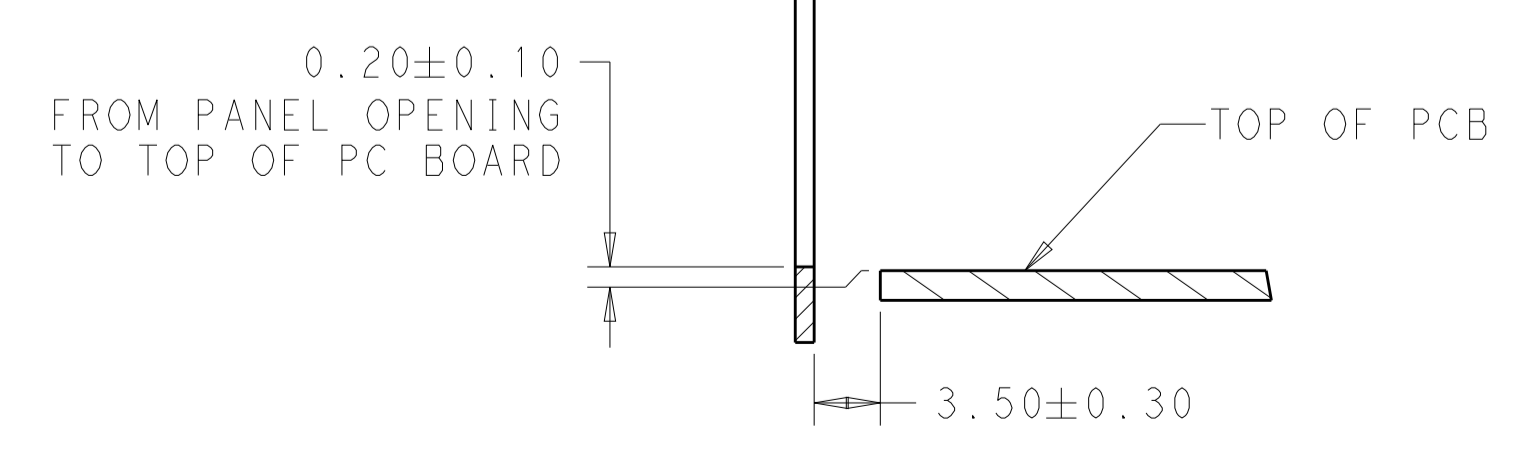
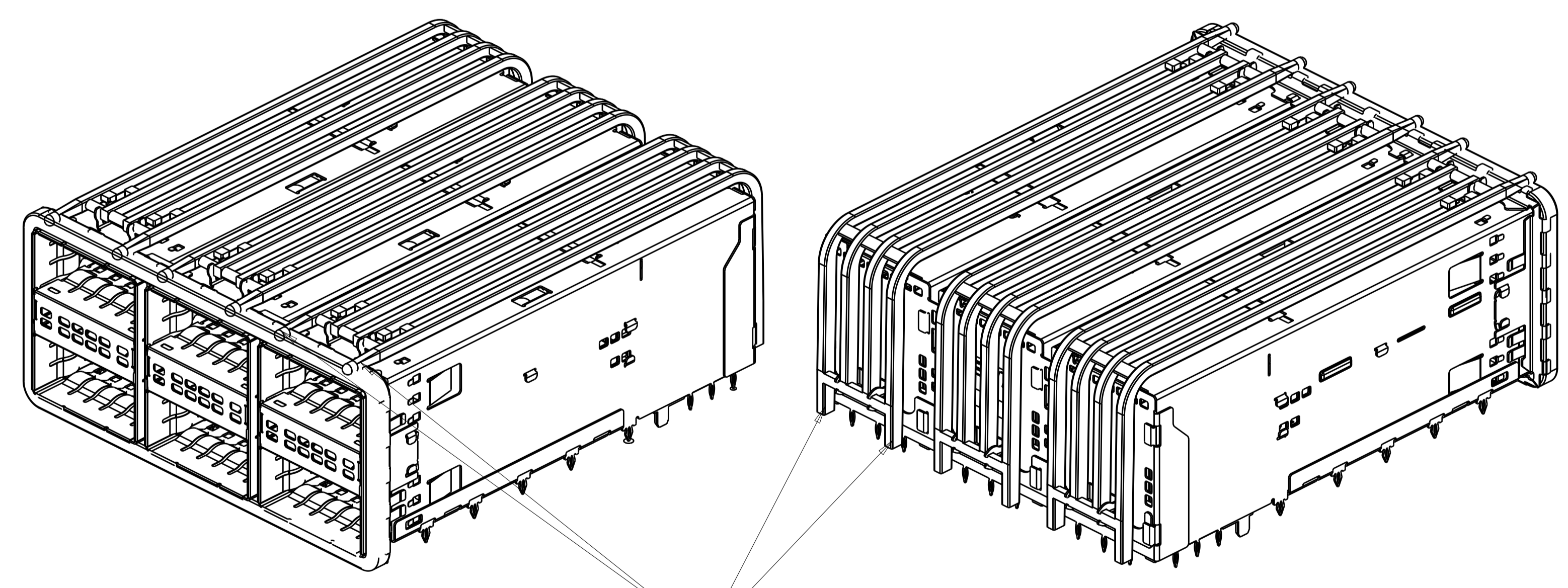
REVISIONS				
P. LTR.	DESCRIPTION	DATE	OWN	APVD
-	SEE SHEET 1	-	-	-



SECTION V-V
SCALE 4:1



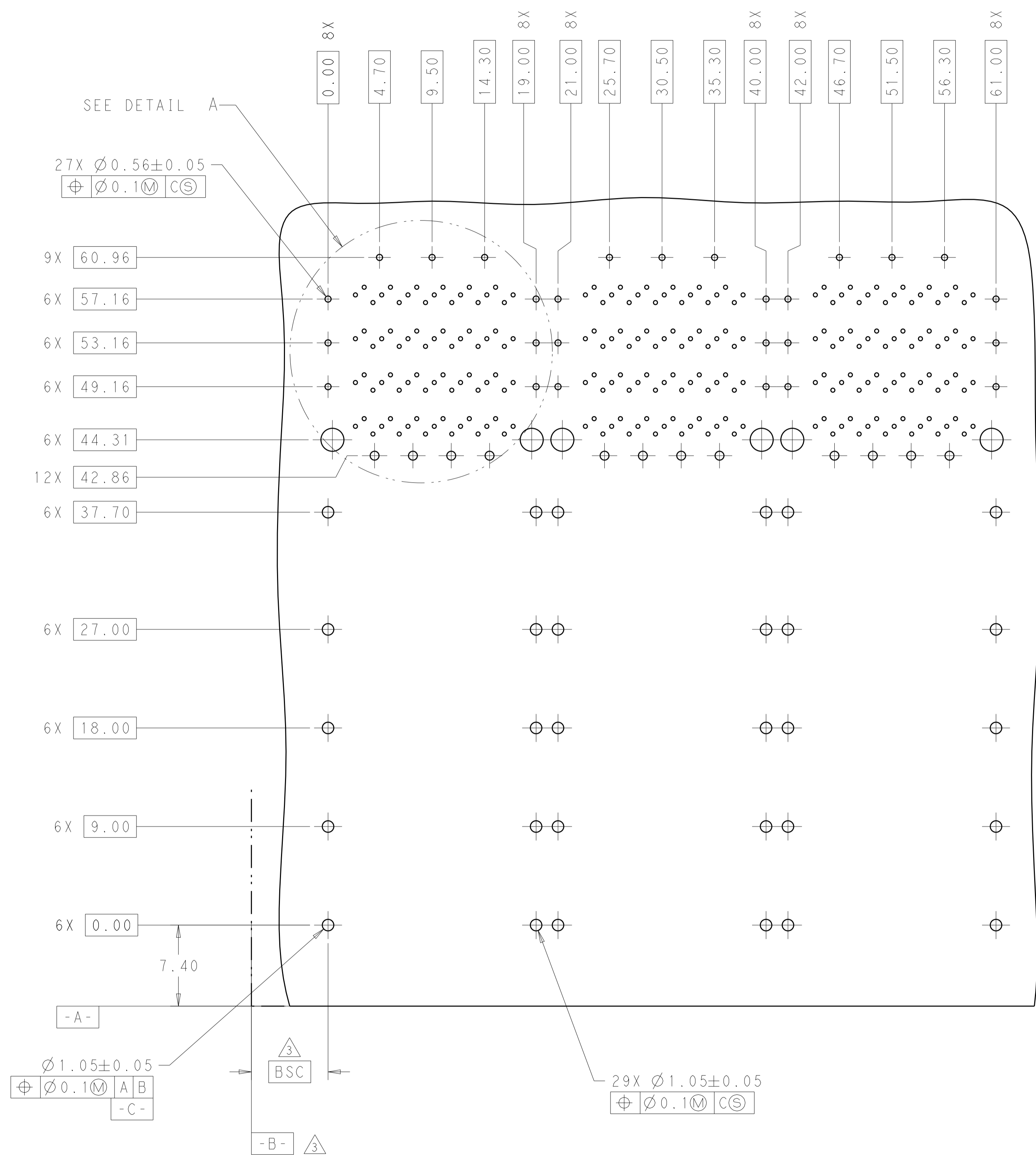
RECOMMEND ED PANEL CUTOUT AND PC BOARD, PANEL POSITION



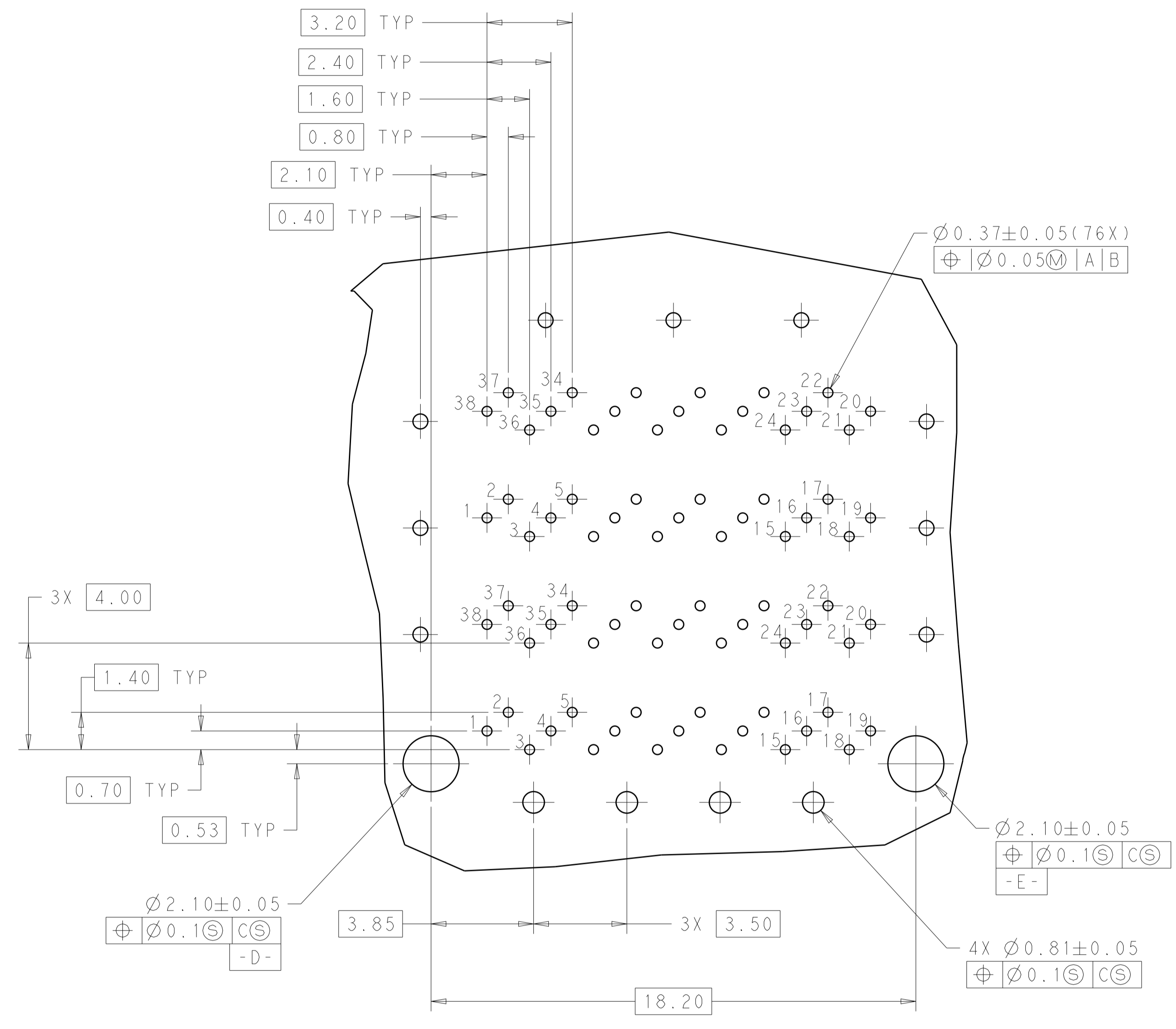
SECTION V-V

THIS DRAWING IS A CONTROLLED DOCUMENT.		OWN: REVIN DING 21OCT13	TE Connectivity
DIMENSIONS: mm		CHK: JASON YANG 21OCT13	
TOLERANCES UNLESS OTHERWISE SPECIFIED:		APVD: JASON YANG 21OCT13	NAME: CAGE AND CONNECTOR ASSEMBLY, WITH EMI GASKET, 2X3, THERMAL FOOTPRINT, ZOSFP+STACKED PRODUCT SPEC: 108-60102 APPLICATION SPEC: 114-60015 SIZE: 114-60015 WEIGHT: - CUSTOMER DRAWING
0 PLC ±		PRODUCT SPEC: 108-60102	
1 PLC ±0.25		APPLICATION SPEC: 114-60015	
2 PLC ±0.15		SIZE: 114-60015	
3 PLC ±		WEIGHT: -	SCALE: 4:1 SHEET 2 OF 4 REV A
4 PLC ±		FINISH: SEE NOTE 2	
ANGLES: ±7°		SEE NOTE 1	

REVISIONS				
P.	LTN	DESCRIPTION	DATE	APVD
-	-	SEE SHEET 1	-	-



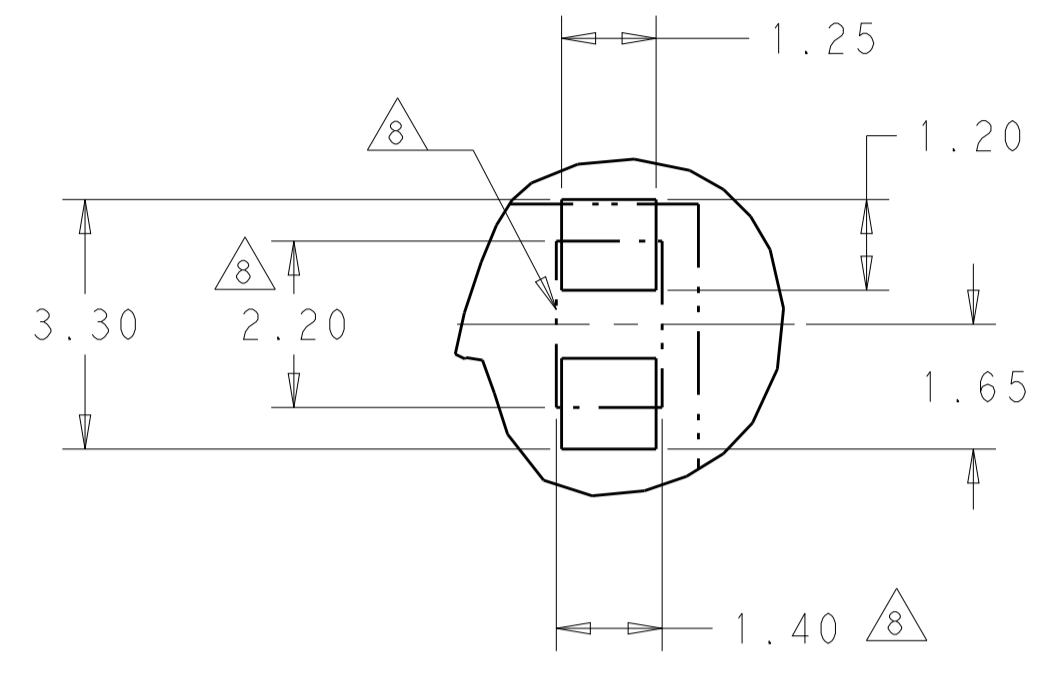
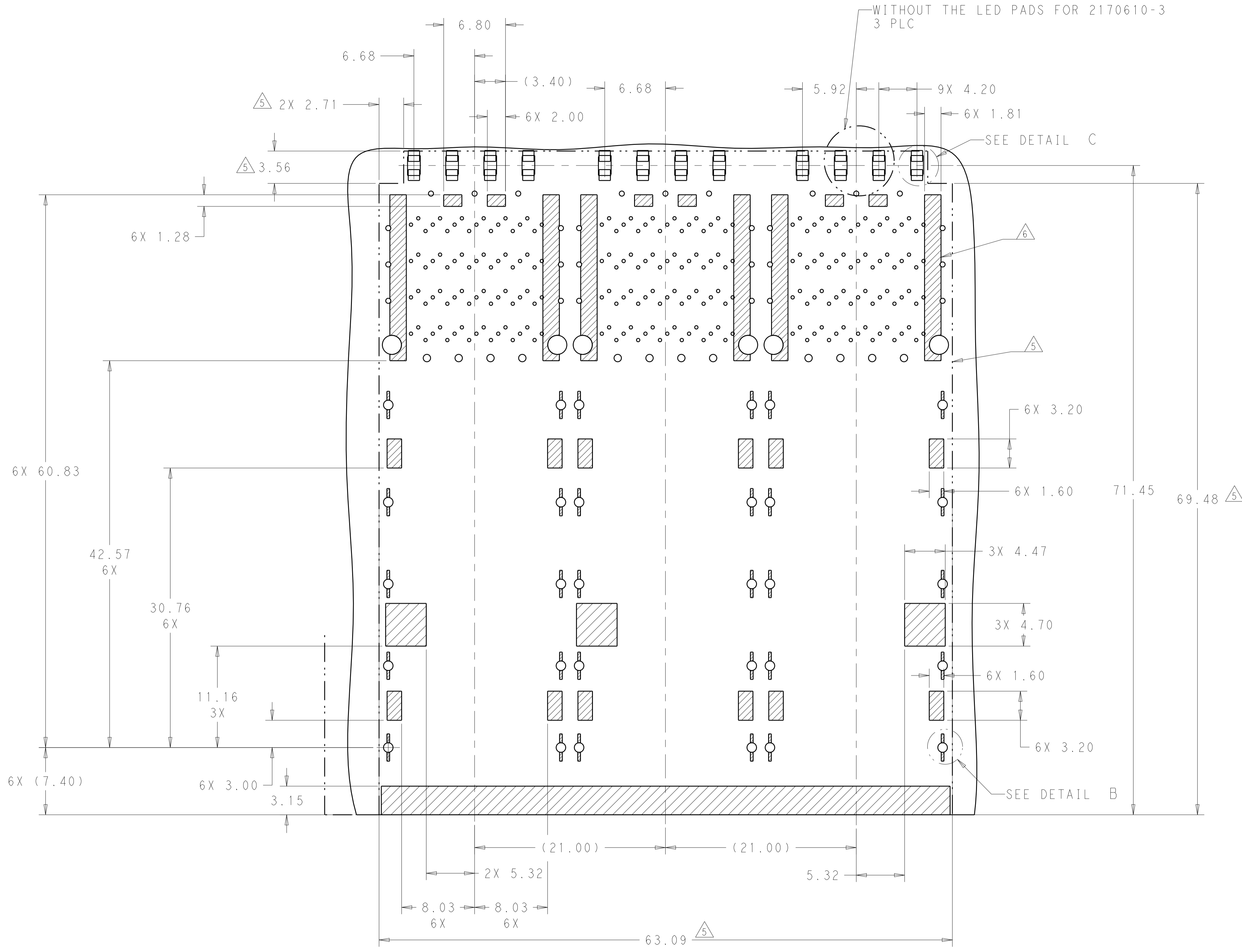
RECOMMENDED PC BOARD LAYOUT
 COMPONENT SIDE OF BOARD
 PCB TOLERANCE: ± 0.05



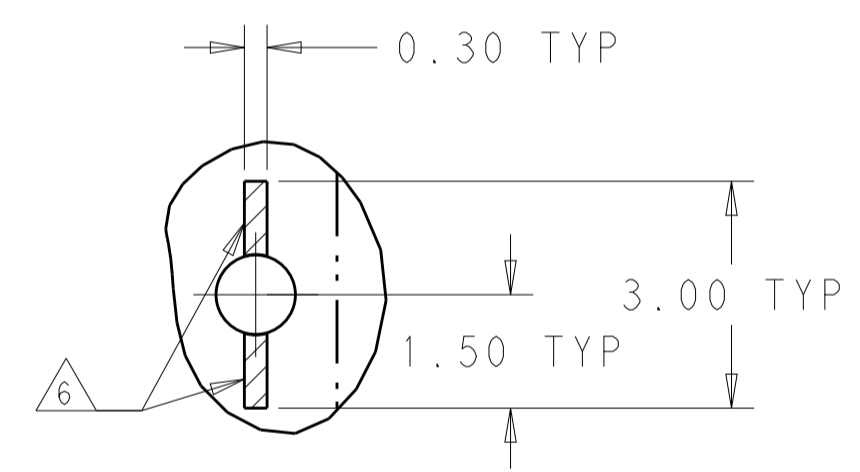
DETAIL A
 3X INDIVIDUALLY
 SCALE 8:1

THIS DRAWING IS A CONTROLLED DOCUMENT.		DWN: REVIN DING 21OCT13 CHK: JASON YANG 21OCT13 APVD: JASON YANG 21OCT13	TE Connectivity
DIMENSIONS: mm	TOLERANCES UNLESS OTHERWISE SPECIFIED: 0 PLC \pm 1 PLC ± 0.25 2 PLC ± 0.15 3 PLC \pm 4 PLC \pm ANGLES $\pm 2^\circ$ FINISH	NAME: CAGE AND CONNECTOR ASSEMBLY, WITH EMI GASKET, 2X3, THERMAL FOOTPRINT, ZQSF+STACKED PRODUCT SPEC: 108-60102 APPLICATION SPEC: 114-60015 WEIGHT: - CUSTOMER DRAWING	
MATERIAL: SEE NOTE 1	SEE NOTE 2	WEIGHT: - CUSTOMER DRAWING	

REVISIONS				
P.	LTN.	DESCRIPTION	DATE	APPD.
-	-	SEE SHEET 1	-	-



DETAIL C
SCALE 10:1



DETAIL B
SCALE 10:1

KEEPOUT AREAS
COMPONENT SIDE OF BOARD

THIS DRAWING IS A CONTROLLED DOCUMENT.		OWN: REVIN DING 21OCT13	TE Connectivity
DIMENSIONS: mm		CHK: JASON YANG 21OCT13	
TOLERANCES UNLESS OTHERWISE SPECIFIED:		APPD: JASON YANG 21OCT13	NAME: CAGE AND CONNECTOR ASSEMBLY, WITH EMI GASKET, 2X3, THERMAL FOOTPRINT, ZQSPF+STACKED
0 PLC ± 1 PLC ±0.25 2 PLC ±0.15 3 PLC ± 4 PLC ± ANGLES ±2°		PRODUCT SPEC: 108-60102	SIZE: 114-60015
MATERIAL: SEE NOTE 1		APPLICATION SPEC: 114-60015	RESTRICTED TO: A100779C=2170610
FINISH: SEE NOTE 2		WEIGHT: -	SCALE: 4:1 SHEET 4 OF 4 REV A
		CUSTOMER DRAWING	