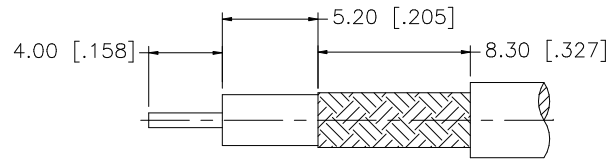
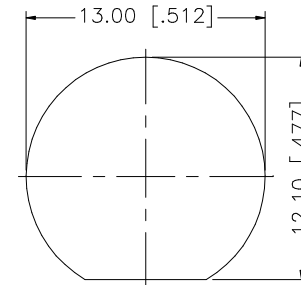
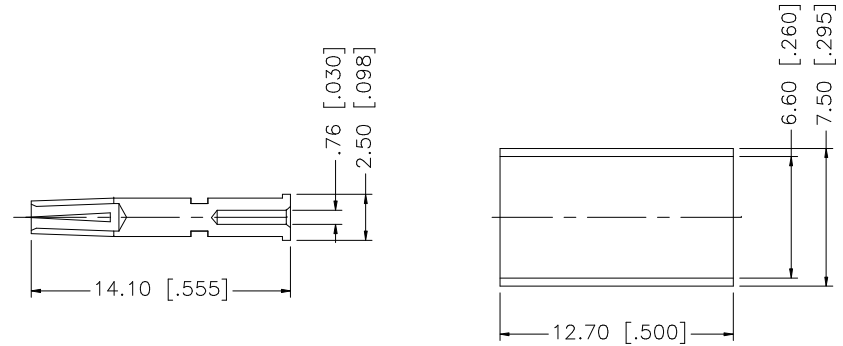
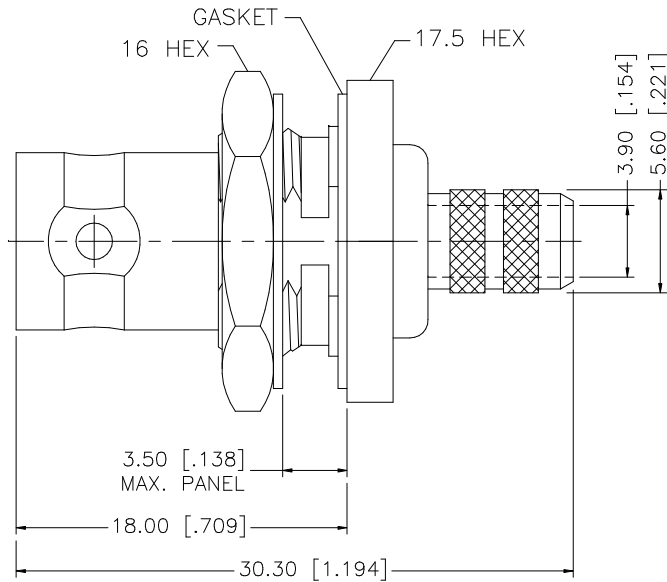


REV.	DATE	DESCRIPTION
NC	04/17/00	INITIAL RELEASE
A	11/02/05	UPDATE DRAWING FORMAT



RECOMMENDED
CABLE STRIPPING DIM'S



RECOMMENDED
MOUNTING HOLE

QTY	DESCRIPTION	MATERIAL	FINISH
1	BODY	BRASS	NICKEL
1	INSULATOR	TEFLON	NATURAL
1	CONTACT PIN	PHOS. BRONZE	GOLD
1	GASKET	RUBBER	RED
1	LOCK WASHER	BRASS	NICKEL
1	HEX NUT	BRASS	NICKEL
1	FERRULE	COPPER	NICKEL
	DESCRIPTION	MATERIAL	FINISH

UNLESS OTHERWISE SPECIFIED DIMENSIONS ARE IN MILLIMETERS. DIMENSIONS IN [] ARE IN INCHES AND FOR CUSTOMER REFERENCE ONLY.

UNLESS OTHERWISE SPECIFIED TOLERANCES FOR MILLIMETERS ARE:
0.5 - 8mm ± 0.20mm
8 - 30mm ± 0.40mm
30 - 120mm ± 0.50mm

UNLESS OTHERWISE SPECIFIED TOLERANCES FOR INCHES ARE:
.020 - .315 = ± 0.007"
.315 - 1.180 = ± 0.015"
1.180 - 4.724 = ± 0.020"

DO NOT SCALE DRAWING

APPROVALS	DATE
DRAWN G.R.S.	11/02/05
CHECKED	
ISSUED	
SHEET 1 OF 1	
CAD FILE C:/112/112205.DWG	

Amphenol Connex

PART DESCRIPTION
BNC BULKHEAD CRIMP JACK (FOR RG-59/U CABLE)
PART NO.
112205
DWG. NO.
112205.DWG
REV.
A
SIZE
A
SCALE
NA