



ENGINEERING SPECIFICATION

INSTALLATION INSTRUCTION SHEETS

1.0 SCOPE

This specification consists of installation instructions for the Self Contained Power Connector for 3-wire cable with ground applications.

2.0 PURPOSE

To define material number system for the above instructions.

3.0 REFERENCE MATERIAL NUMBERS

See pages 2-3 for the actual instruction sheets. These pages can be used as originals.

4.0 DEFINITIONS

Not applicable.

5.0 PROCEDURES

Place one (1) instruction sheet in the smallest unit container.

6.0 IMPLEMENTATION

January 24, 2006

REVISION: F	ECR/ECN INFORMATION: EC No: WNA2011-0191 DATE: 2010 / 10 / 13	TITLE: SELF CONTAINED POWER CONNECTOR INSTALLATION INSTRUCTIONS FOR 3 WIRE CABLE WITH GROUND APPLICATIONS	SHEET No. 1 of 3
DOCUMENT NUMBER: SD-19401-002	CREATED / REVISED BY: E. THRODAHL	CHECKED BY: J. MACNEIL	APPROVED BY: J. MACNEIL

COC-2 Self Contained Power Connector Installation Instructions For 3 Wire Cable with Ground Applications

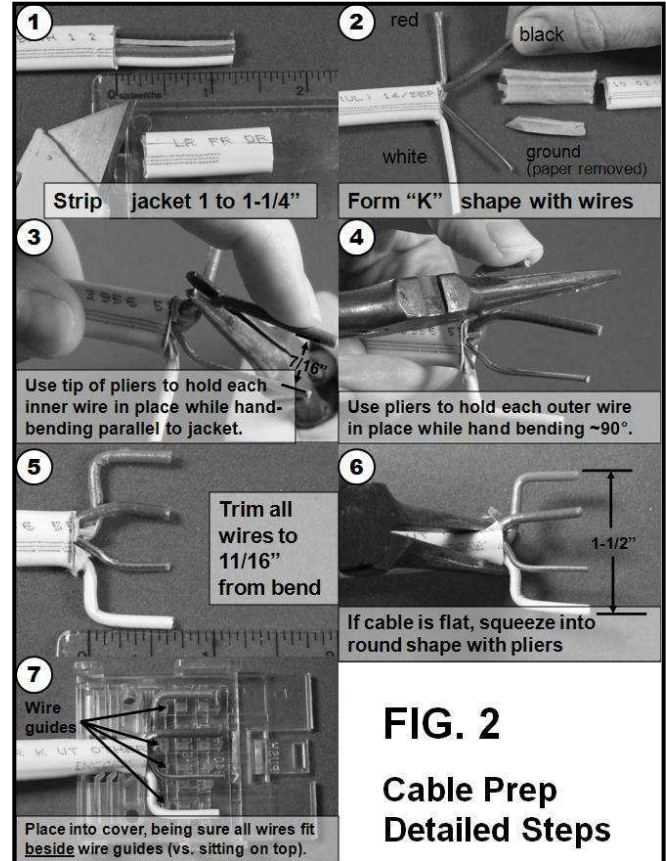
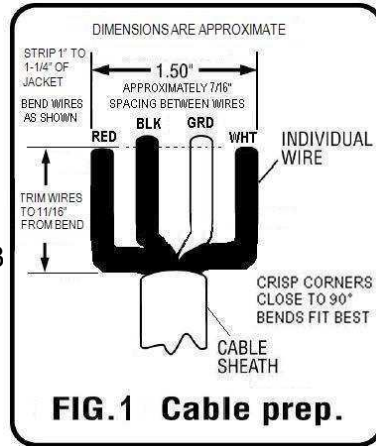
The 3-circuit connector is used to splice solid nonmetallic cable 14/3 and 12/3 with ground.

Wire Range AWG	Order No.	Optional Hand Tool	Optional Bench Arbor Press	Housing Color
12-14	19401-1000 (COC-2)	19285-0074	64006-0200	White



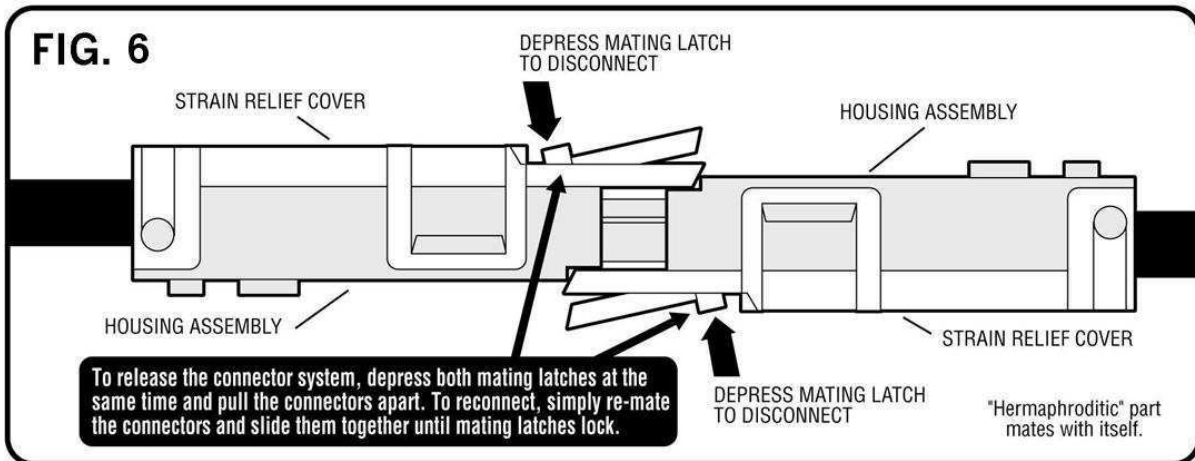
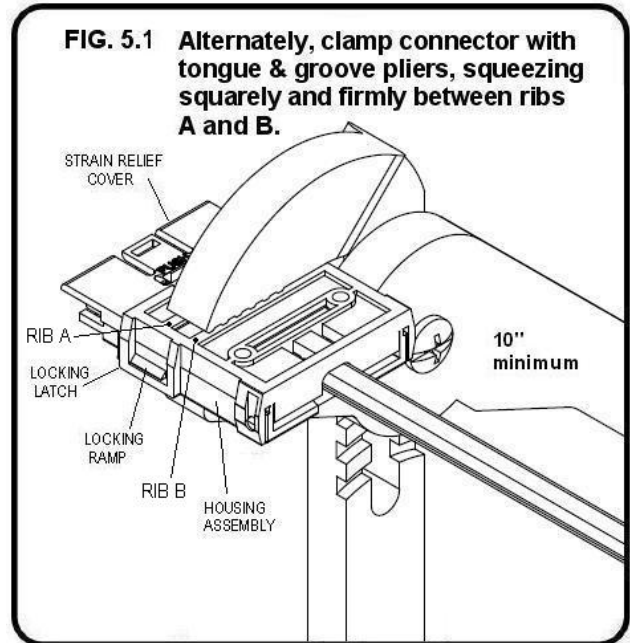
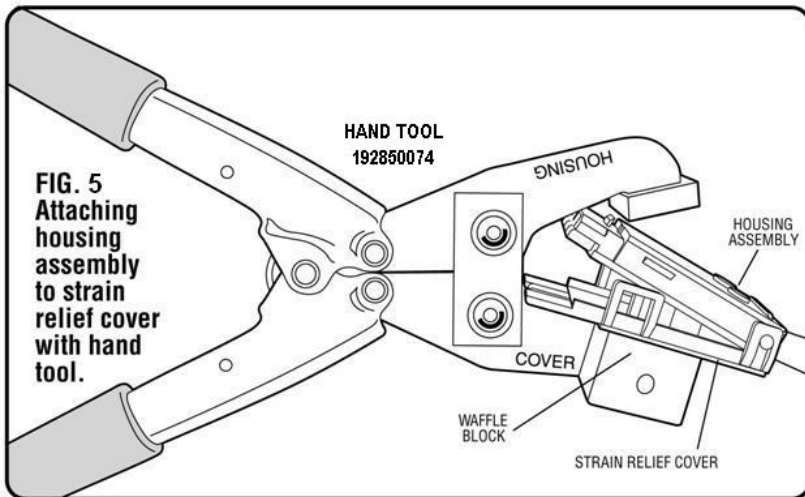
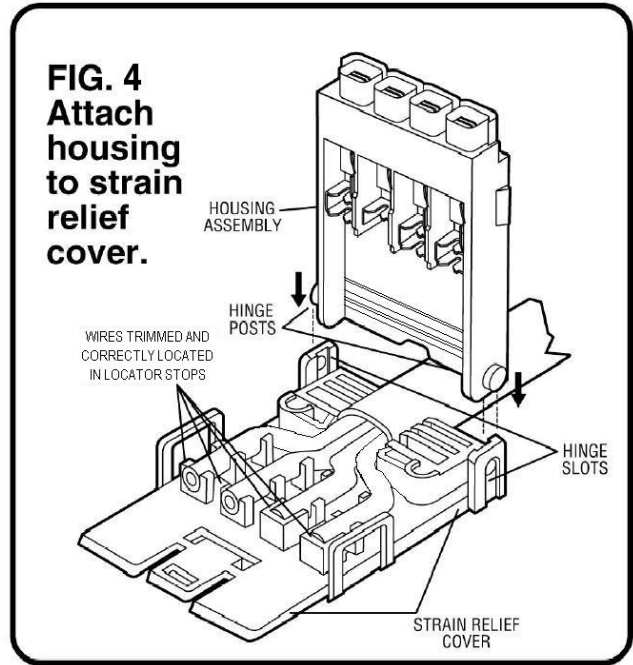
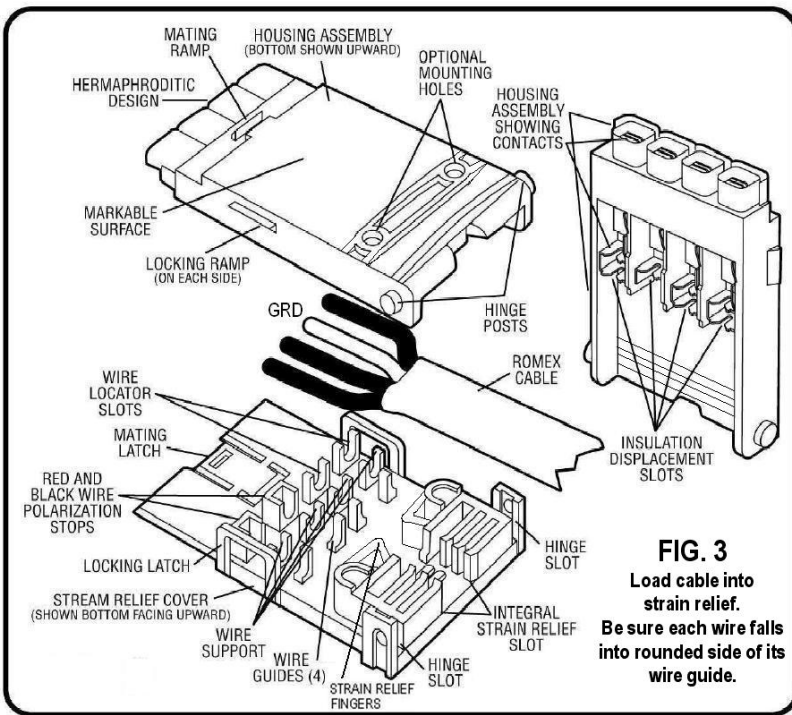
Reference Information

UL File Number: E182087
CSA File Number: LR18689-C53
NEC Article: 550, 551, and 545
HUD Section: 3280.801
Current: 20A
Voltage: 600V

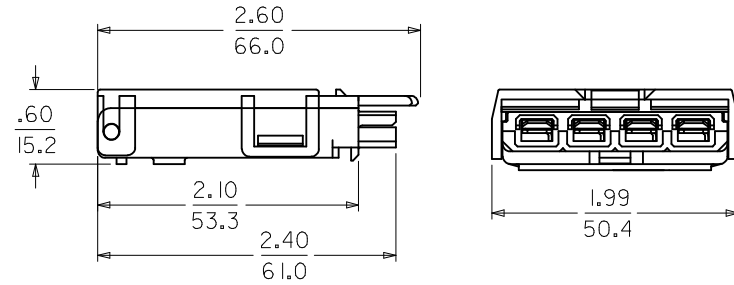


Installation Procedure:

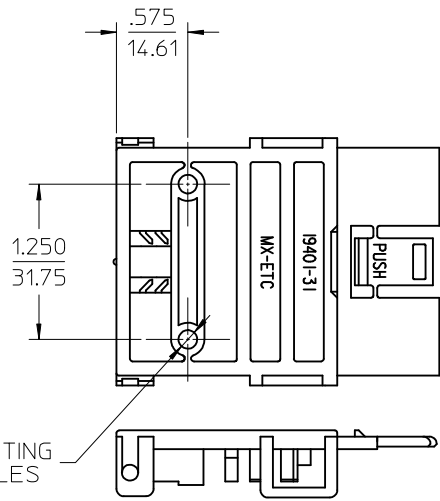
- Carefully strip and prepare the wires to the configuration as shown in **Figure 1** using helpful hints shown in photographs of **Figure 2**.
- Hold the clear strain-relief cover with bottom facing upward as shown in **Figure 3**.
- Lay wires into locator slots, making sure the red and black wires are placed into locator slots with the polarization stop as shown in **Figure 3**. If cable is flat, squeeze into round shape to fit.
- Press the cable sheath into the integral strain relief slot as shown in **Figure 3**. Trimming of center wires and possibly others will be necessary. Wires must not extend beyond the stops as shown in Figure 4!
- While holding the strain relief cover, position the housing's hinge posts into the hinge slots and press down until both lock into place as shown in **Figure 4**.
- Close the strain relief cover and housing by hand. Place the connector assembly into Molex tool (preferred) as shown in **Figure 5**. Squeeze the tool until the connector bottoms out and the locking latches engage on both sides. OR alternately, squeeze the top and bottom closed with tongue and groove pliers as shown in **Figure 5.1**. Pliers must be a minimum of 10" long. Squeeze firmly on both sides, squarely across the connector between ribs A and B (labeled in Figure 5.1) to ensure wires seat completely into slots.
- Inspect the connector to ensure the wires have been properly engaged into the housing assembly contacts. A properly terminated wire is fully seated into its proper slots with no significant bow of the cover. If the wires extend past the insulation stops, the wires must be re-terminated with a NEW CONNECTOR. Once the cover has been closed the connector cannot be re-used. Failure to comply with this procedure may result in the failure of the connector.
- Mating and un-mating the completed connector is illustrated in **Figure 6**.



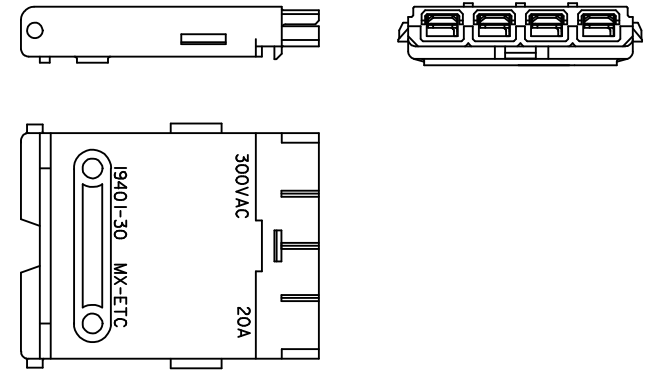
10	9	8	7	6	5	4	3	2	19401
MATERIAL NO.	ENGINEERING P/N								
194011000	COC-2								



ASSEMBLED VIEW



STRAIN RELIEF COVER, CLEAR
194013110



HOUSING ASSEMBLY 194012010, CONTAINING HOUSING, NATURAL, 194013010

NOTES:

- PARTS ARE PACKAGED 50 UNITS PER CONTAINER.
- REF: UL FILE NO. E182087, CSA FILE NO. LR18689.
- PARTS ARE ROHS COMPLIANT.

CHG HSG&CVR P/N'S EC NO: WNAZ009-0564 DRAWN: THRODAHL 2009/05/22 CHKD: JMACNEIL 2009/05/22 APPR: JMACNEIL 2009/05/22	QUALITY SYMBOLS ▽=0 ▽=0	GENERAL TOLERANCES (UNLESS SPECIFIED)		DIMENSION STYLE IN/MM		SCALE 1:1	DESIGN UNITS INCH	THIRD ANGLE PROJECTION			
		4 PLACES ± --- ± ---	mm INCH	DRAWN BY DAY	DATE 1997/09/03	TITLE CUSTOMER DRAWING COC-2 SC CONNECTOR ASSEMBLY 14-12AWG SOLID 3/C+GRD					
		3 PLACES ± --- ± .005		CHECKED BY RWD	DATE 1997/09/03	MOLEX INCORPORATED					
		2 PLACES ± 0.13 ± .01		APPROVED BY RWD	DATE 1997/09/03	MATERIAL NO. SEE CHART		DOCUMENT NO. SD-19401-1000	SHEET NO. 1 OF 1		
		1 PLACE ± 0.25 ± ---		ANGULAR ± ---°		THIS DRAWING CONTAINS INFORMATION THAT IS PROPRIETARY TO MOLEX INCORPORATED AND SHOULD NOT BE USED WITHOUT WRITTEN PERMISSION					
DRAFT WHERE APPLICABLE MUST REMAIN WITHIN DIMENSIONS											