

## SUMMARY

### # Wires

Low	10
High	0
Coax	0
Triax	0
Quad	0
Fiber	0
Fluidic	0



*Image is for illustrative purpose only*

### Download

[Request a quote](#)

[Catalog](#)

Series	P
Termination type	Female solder
IP rating	50
Cable Ø	0.00 - 0.00 mm
Matching parts	PAG.M1.0TL.AC39N
Status	
Alternative part	

## TECHNICAL DETAILS

### Mechanics

Shell Style/Model	PL*:
Keying	1 key (alpha=0; Plug: male contact; Receptacle: female contact)
Housing Material	PEI (Polyetherimide), black
Cable Fixing	∅ 0 - 0 mm
Variant	N : Black front nut

### Performance

Configuration	1P.M10 : 10 Low Voltage
Insulator	
Rated Current	3 Amps

### Specifications

Contact Type:	Solder
Max. Matings:	2000
Contact Dia.:	0.5 mm (0.0201in)
Bucket Dia.:	0.45 mm (0.018in)
Max. Solid Conductor:	0.09 mm <sup>2</sup> (AWG 28)
Max. Stranded Conductor:	0.09 mm <sup>2</sup> (AWG 28)

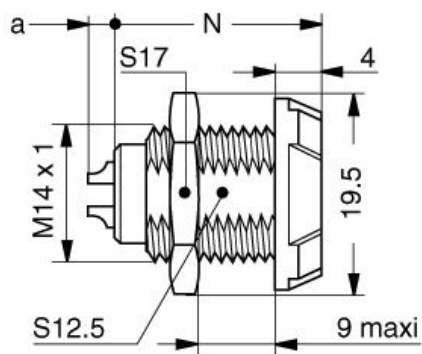
R (max): 8.5 mOhm  
 Test voltage (kV rms) Contact-contact: 0.85  
 Air clearance min. (mm) or Creepage distance min. (mm): 0.45

## Others

F ret (min): 50 N  
 F ret (max): 150 N  
 IP Rating: 50

# DRAWINGS

## Draws



## Dimensions

	A	L	N
mm.	19.5	25	20.5
in.	0,77	0,98	0,81

# RECOMMENDED BY LEMO

## Tools

None

## Cables

CMN.10.T22.068QGC			
-------------------	--	--	--