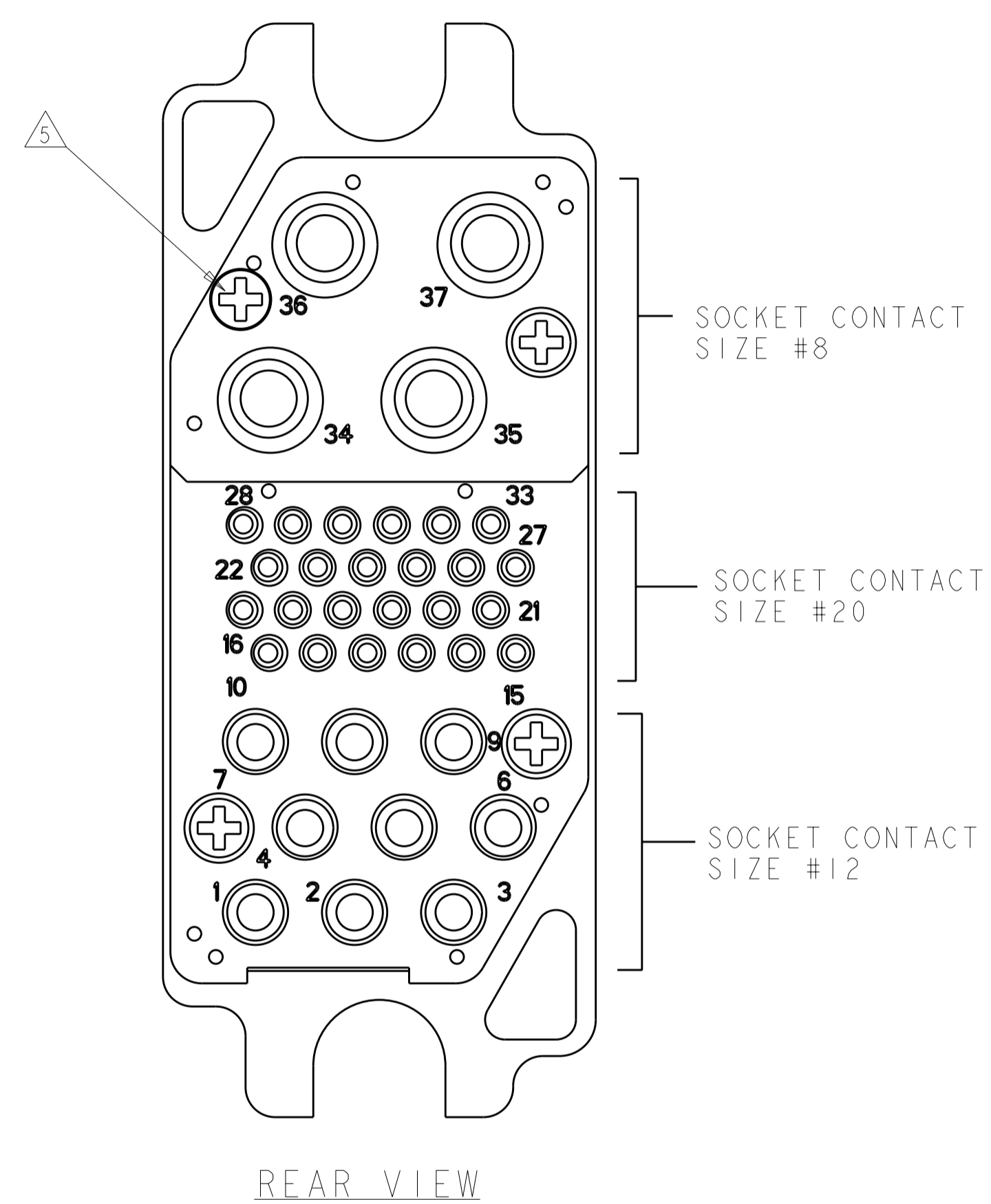
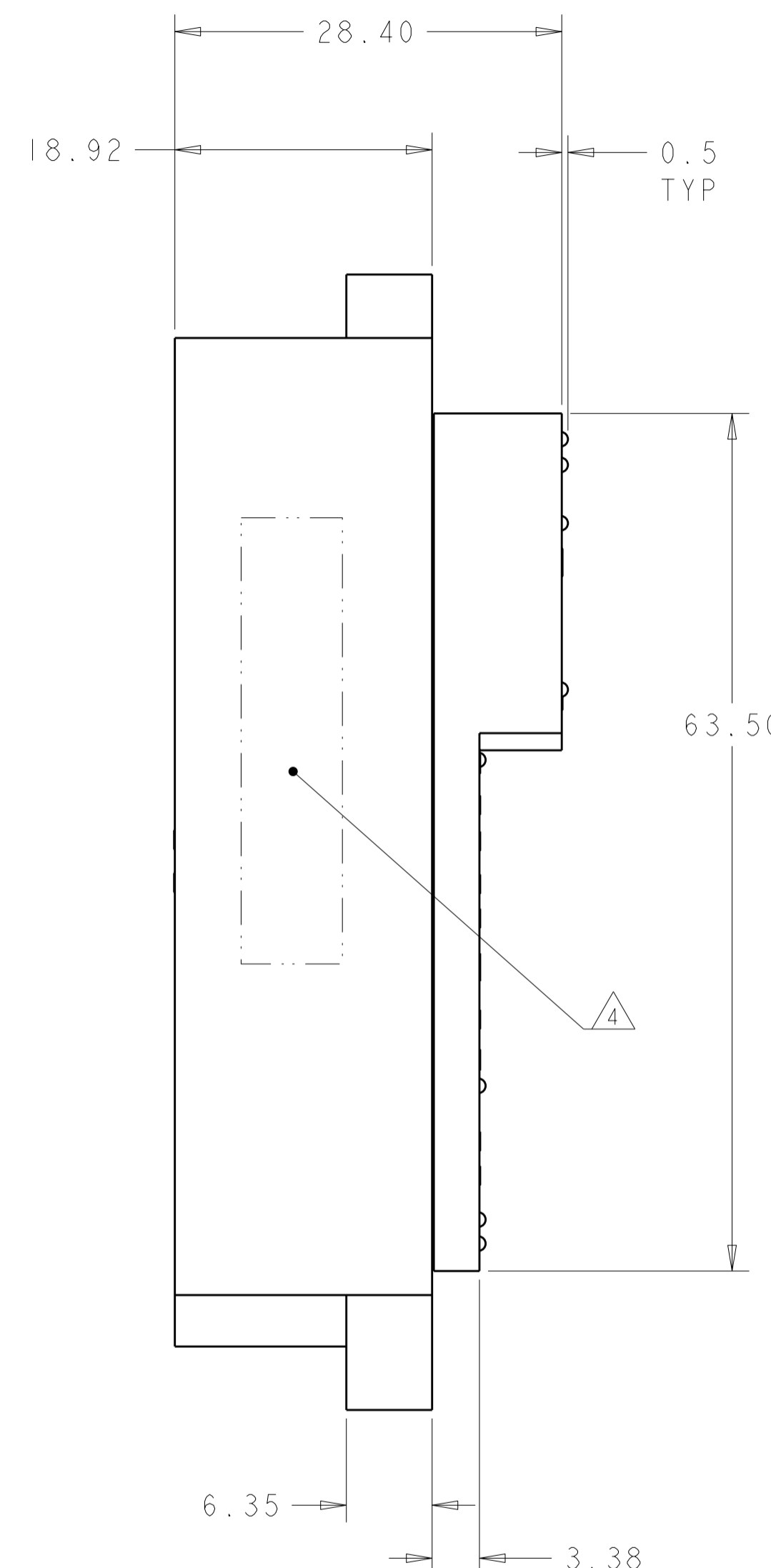
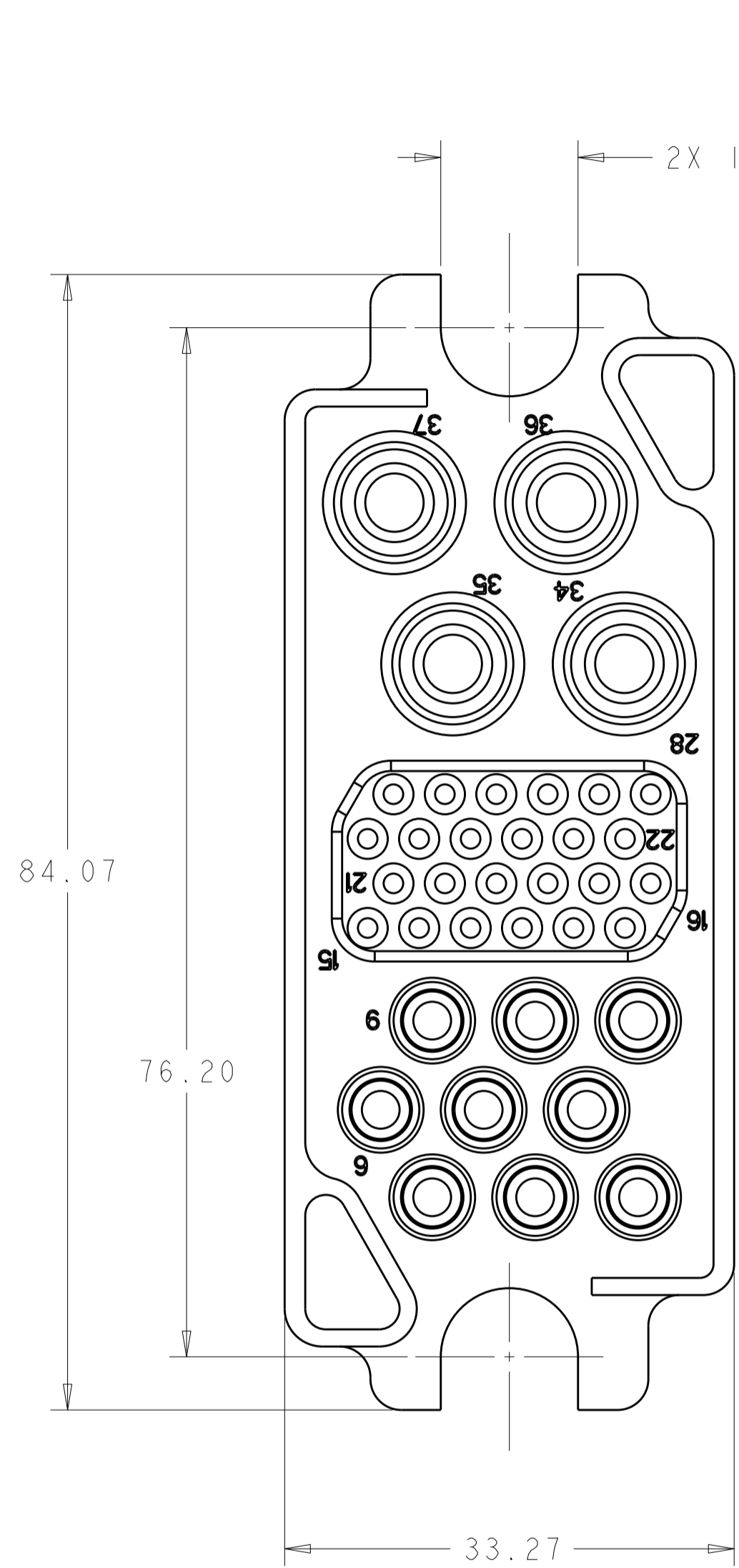


THIS DRAWING IS UNPUBLISHED. RELEASED FOR PUBLICATION 20
 © COPYRIGHT 20 BY TYCO ELECTRONICS CORPORATION. ALL RIGHTS RESERVED.

LOC		DIST		REVISIONS			
P	LTR	DESCRIPTION	DATE	DWN	APVD		
	C	REV PER ECO-09-008289	06APR2009	RG	DO		



REAR VIEW

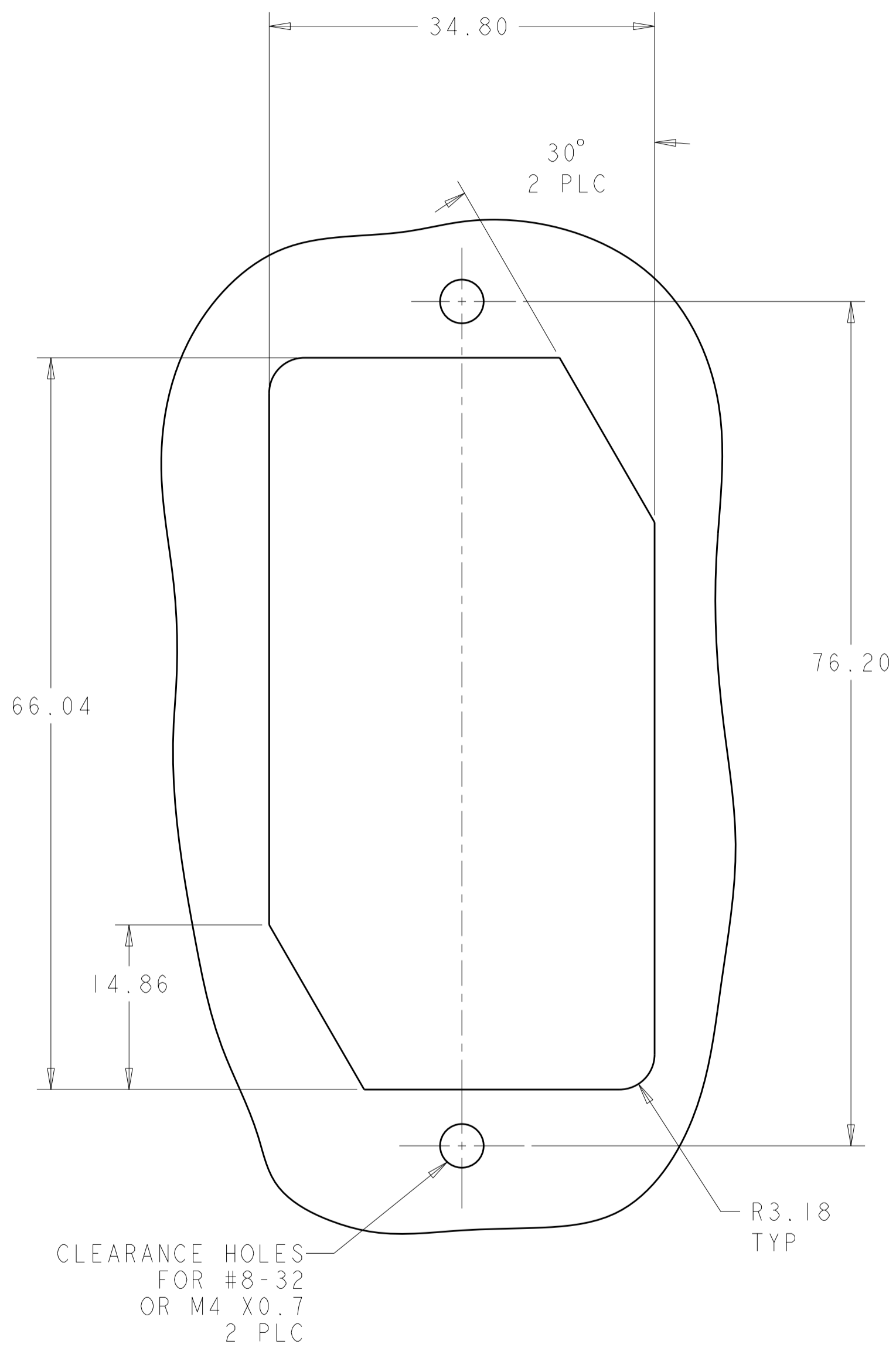
AS SHOWN	6651463-1
DESCRIPTION	PART NUMBER

<small>THIS DRAWING IS A CONTROLLED DOCUMENT FOR TYCO ELECTRONICS CORPORATION. IT IS SUBJECT TO CHANGE AND THE CONTROLLING ENGINEERING ORGANIZATION SHOULD BE CONTACTED FOR THE LATEST REVISION.</small>		DWN R. GRZYBOWSKI 10OCT06 CHK S. FLICKINGER 10OCT06 APVD S. FLICKINGER 10OCT06	tyco Tyco Electronics Harrisburg, PA 17105-3608
DIMENSIONS: MM 	TOLERANCES UNLESS OTHERWISE SPECIFIED: 0 PLC ± 1 PLC ± 2 PLC ±.02 3 PLC ±.010 4 PLC ± ANGLES ±.5 FINISH	PRODUCT SPEC APPLICATION SPEC WEIGHT CUSTOMER DRAWING	NAME SOCKET HOUSING W/ SCREW MOUNT 75 AMP, MIDDLE DRAWER SIZE CAGE CODE DRAWING NO RESTRICTED TO A200779 C-6651463 -
		SCALE 3:1	SHEET 1 OF 2 REV C

ELCON 75A DRAWER

THIS DRAWING IS UNPUBLISHED. RELEASED FOR PUBLICATION 20
 © COPYRIGHT 20 BY TYCO ELECTRONICS CORPORATION. ALL RIGHTS RESERVED.

LOC	DIST	REVISIONS					
GP	00	P	LTR	DESCRIPTION	DATE	DWN	APVD
		-		SEE SHEET 1			



1. PART NUMBER CHANGES AND OR DESIGN CHANGES AFFECTING THE INTERCHANGEABILITY REQUIRE PRIOR TYCO APPROVAL AND AUTHORIZATION BY REVISION TO THIS DRAWING.

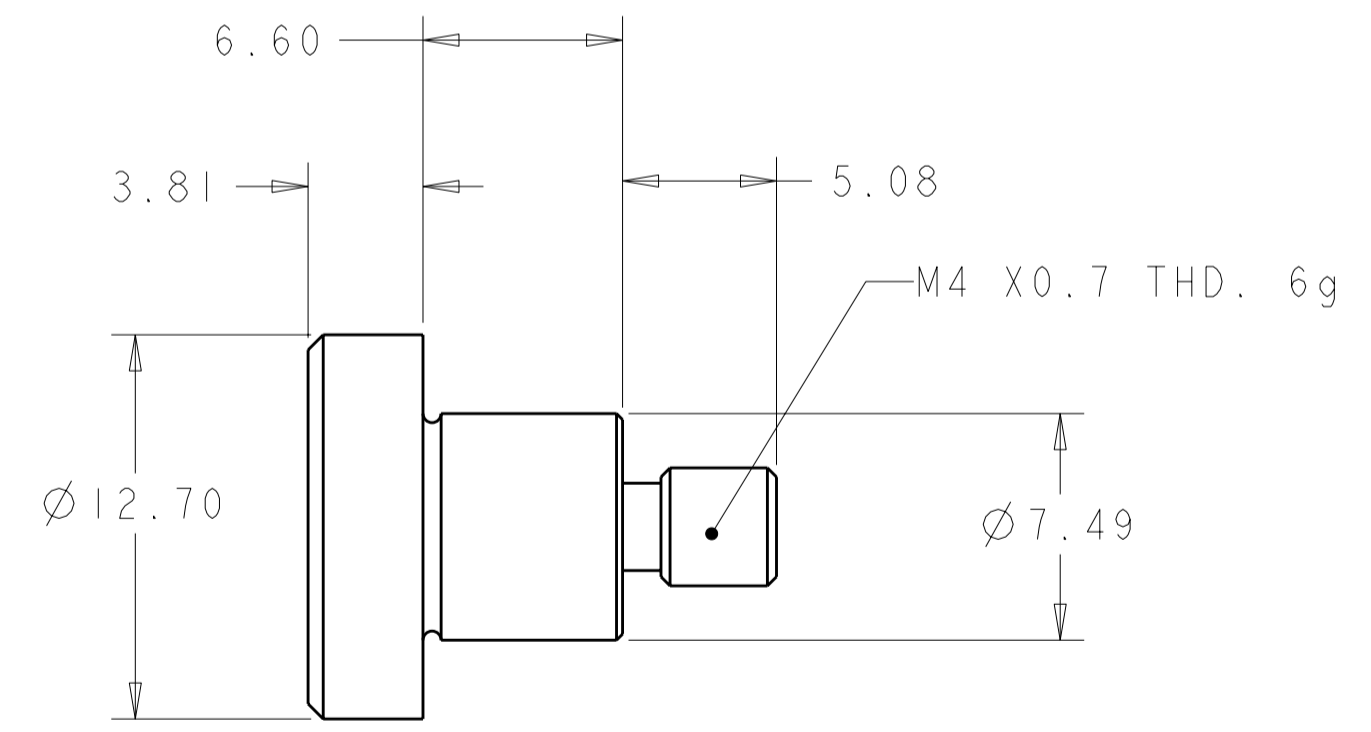
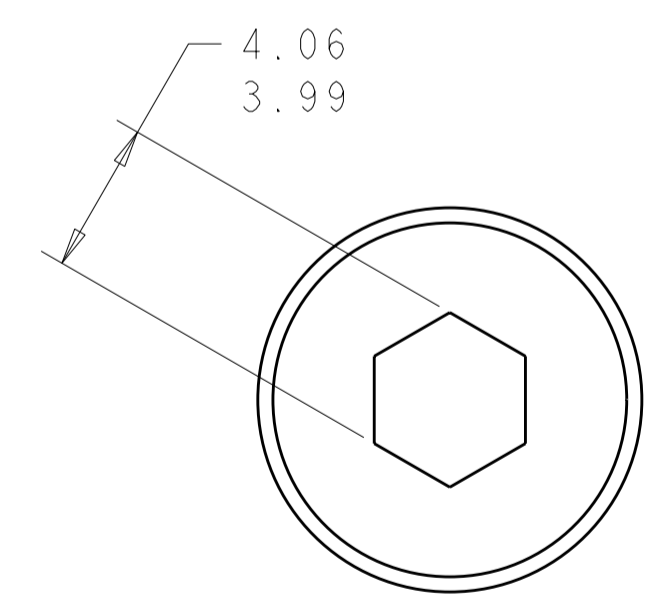
2. MATERIAL:
 INSULATOR: THERMOPLASTIC, GLASS REINFORCED, FLAMMABILITY RATED, COLOR: BLACK
 RETENTION CLIP: BERYLLIUM COPPER OR STAINLESS STEEL

3. RECOMMENDED MOUNTING HARDWARE SHOWN FOR REFERENCE ONLY. PARTS TO BE ORDERED SEPERATELY.
 SHOULDER SCREW, #8-32: 1650402-1
 SHOULDER SCREW, M4 X 0.7: 1650589-1

4. ITEMS PROVIDED TO THIS SPECIFICATION TO BE PERMANENTLY IDENTIFIED PER THE FOLLOWING IDENTIFIER:

YEAR 1 WEEK 1
 TYCO PART NUMBER XXXXXXXX-X DATE CODE (e.g. 0216) XXXX

5. REMOVAL OF SCREWS HOLDING THE ASSEMBLY TOGETHER AND SUBSEQUENT RE-ASSEMBLE WILL DEGRADE THE PLASTIC HOUSING AND GREATLY REDUCE THE BURST STRENGTH OF THE CONNECTOR.



SHOULDER SCREW - FLOAT MOUNT 3
 SCALE 4:1

SUGGESTED PANEL CUTOUT
 AS VIEWED FROM CONNECTOR MOUNTING SIDE

ELCON 75A DRAWER

<small>THIS DRAWING IS A CONTROLLED DOCUMENT FOR TYCO ELECTRONICS CORPORATION. IT IS SUBJECT TO CHANGE AND THE CONTROLLING ENGINEERING ORGANIZATION SHOULD BE CONTACTED FOR THE LATEST REVISION.</small>		DWN R.GRZYBOWSKI 10OCT06 CHK S.FLICKINGER 10OCT06 APVD S.FLICKINGER 10OCT06	tyco Tyco Electronics Harrisburg, PA 17105-3608
DIMENSIONS: MM 	TOLERANCES UNLESS OTHERWISE SPECIFIED: 0 PLC ± 1 PLC ±.02 2 PLC ±.02 3 PLC ±.010 4 PLC ± ANGLES ±.5 FINISH	PRODUCT SPEC APPLICATION SPEC WEIGHT	NAME SOCKET HOUSING W/ SCREW MOUNT 75 AMP, MIDDLE DRAWER SIZE CAGE CODE DRAWING NO A200779 C-6651463 RESTRICTED TO
MATERIAL		CUSTOMER DRAWING	SCALE 3:1 SHEET 2 OF 2 REV C