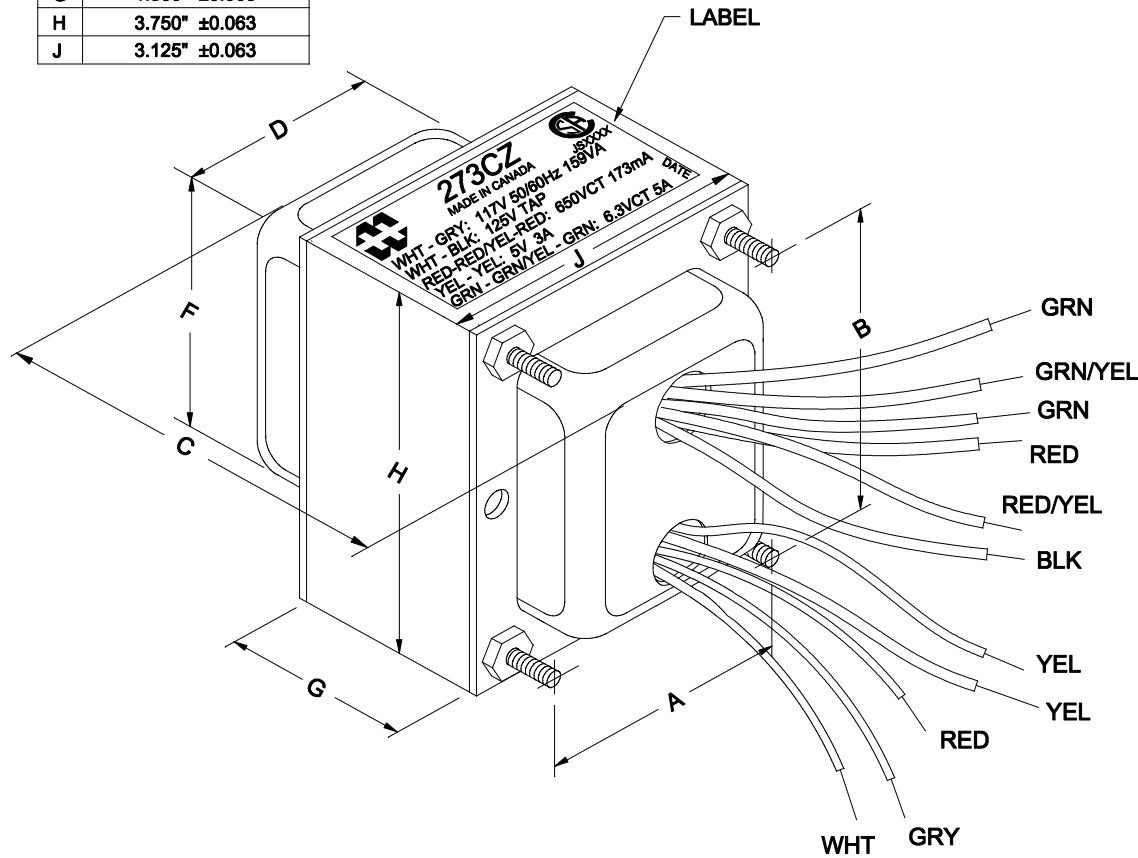
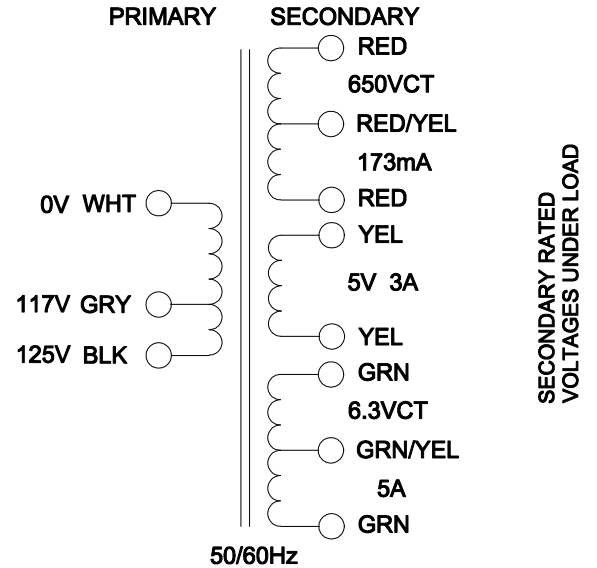


DIMENSIONS:	
A	2.500" ±0.063
B	3.125" ±0.063
C	3.810" ±0.125
D	2.060" ±0.063
F	2.685" ±0.063
G	1.560" ±0.063
H	3.750" ±0.063
J	3.125" ±0.063



NOTE: ALL LEADS 6" OUT MIN. STRIPPED 0.5"



ELECTRICAL DATA:			
TESTS	CONDITIONS	ACCEPTANCE CRITERIA	
Iex	@ 125V, 60Hz, WHT - BLK	169.2mA	Max.
Sec. N.L.V	@ 125V, 60Hz, WHT - BLK		
	RED - RED =	688.6V	±2%
	RED - RED/YEL = RED/YEL - RED =	344.3V	±2%
	YEL - YEL =	5.482V	±2%
	GRN - GRN/YEL = GRN/YEL - GRN =	3.289V	±2%
	GRN - GRN =	6.579V	±2%
DCR	@ 20°C, WHT - BLK =	2.147 Ω	±20%
	@ 20°C, RED - RED =	111.2 Ω	±20%
	@ 20°C, YEL - YEL =	0.051 Ω	±20%
	@ 20°C, GRN - GRN =	0.041 Ω	±20%
HIPOT	PRIMARY - SECONDARY	2500V, 60Hz, 1 SEC	

REV.#	REVISION	DATE	HAMMOND ELECTRONIC DIVISION	
0	RELEASED.	C.I. 11/28/12	52 RANKIN PLACE, WATERLOO, ONTARIO, N2J 3Z5	
			PH # (519) 886-6181	DWG. NO. 273CZ
			FAX # (519) 886-9540	
		DWG. BY: C. ILIE	CHK'D BY:	TITLE: POWER TRANSFORMER
		DATE: 11/28/12	APP'D. BY:	
			DIMENSIONS: IN(X) MM( )	