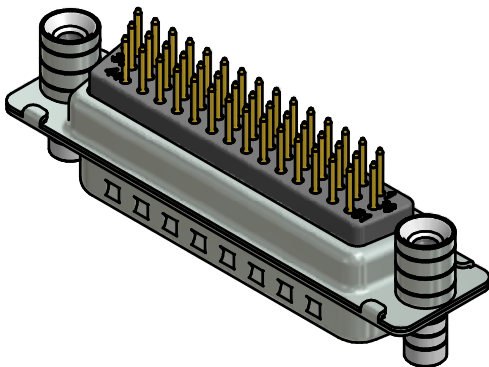
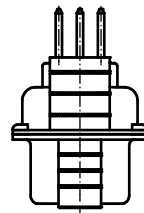
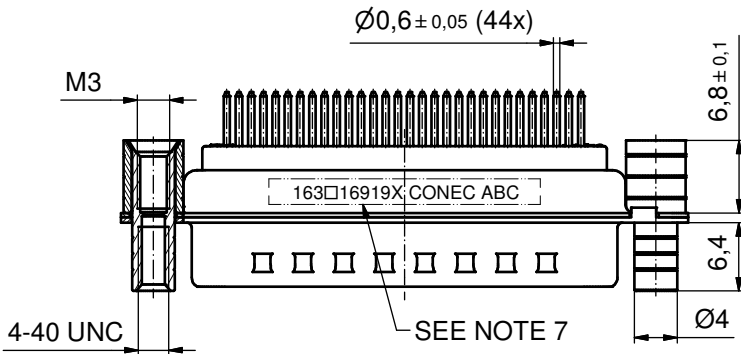
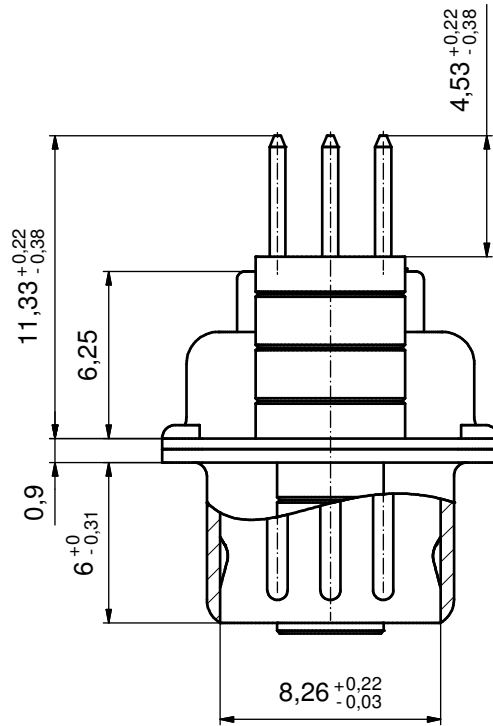
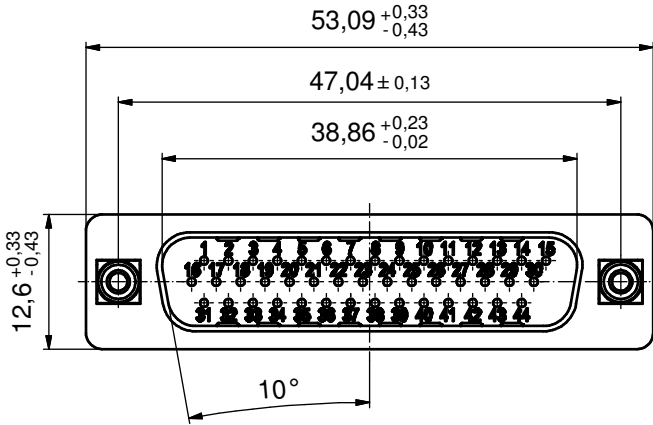


P.C.B. HOLE DRILLINGS
(P.C.B. TOP SIDE)



NOTES:

- METALSHELLS: STEEL; min. 315µin TIN over 40-80µin NICKEL
- INSULATORS: PBT GF UL 94 V-0, BLACK
- CONTACTS: COPPER ALLOY; PLATING (SEE PART NO):
 PLEASE ADD A for GOLD FLASH over NICKEL (PREFERRED TYPE)
 PLEASE ADD B for 20µin HARD GOLD over min. 50µin NICKEL
 PLEASE ADD C for 30µin HARD GOLD over min. 50µin NICKEL
- THREADED REAR SPACERS / FRONT THREADED LOCKS:
COPPER ALLOY; 200µin TIN over 80µin NICKEL
- SLEEVES: COPPER ALLOY; min. 200µin TIN over 80µin NICKEL
- MAXIMUM TORQUE VALUE FOR THREAD: 6 in.LB
- CONNECTOR IS PART MARKED: 163□16919X CONEC ABC

Directive 2002/95/EC RoHS compliant

THIS DRAWING MAY NOT BE COPIED OR REPRODUCED IN ANY WAY, AND MAY NOT BE PASSED ON TO A THIRD PARTY WITHOUT WRITTEN PERMISSION. OWNERSHIP AND COPYRIGHT OF CONEC GmbH		tolerance		dim. in mm	scale: 2:1 (5:1)			
		material:			SEE NOTES			
		DO NOT ALTER CAD DRAWING BY HAND		date	name	title:		
		drawn	21.10.13	Henneboel	D-SUB HD Male			
appd.	21.10.13	Koch	44pos. SOLDER PIN STRAIGHT					
		norm	with threaded rear spacer and front threaded lock					
		d-old	dwg no:					
a	Original	CONEC®		16K1A3326		DIN-A3		
rev.	description	date	name	part no: 163□16919X (see note 7)		sh: 1		