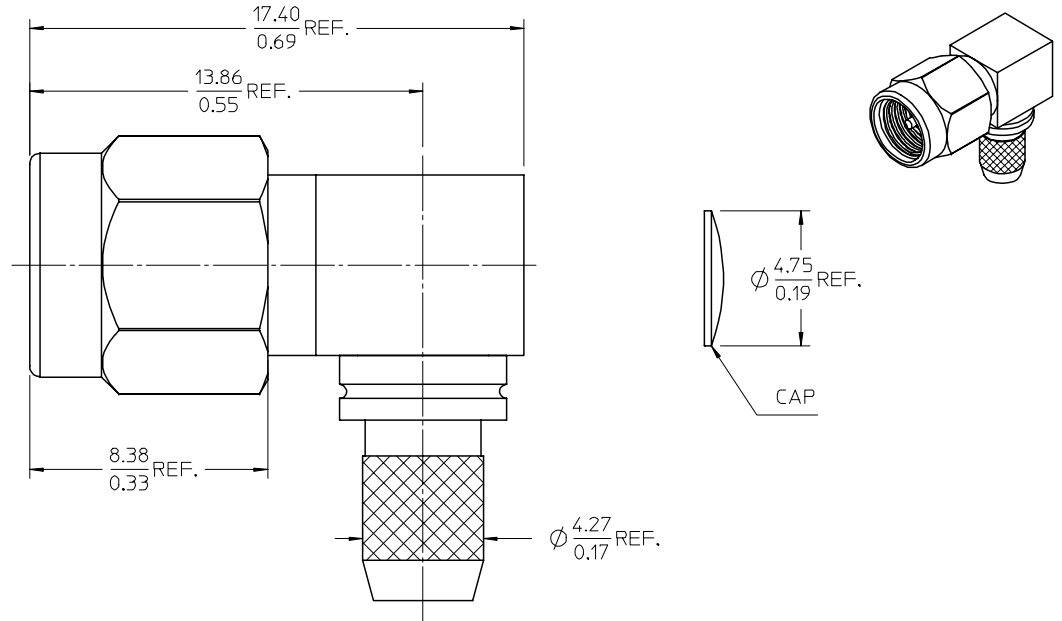


MATERIALS AND FINISHES:
 BODY, CAP, AND C'NUT ST. STEEL
 PER ASTM-582, PASSIVATED.

CRIMP TUBE, BRASS PER ASTM-B16,
 NICKEL PLATED PER QQ-N-290.

SHRINK TUBE PER MIL-DTL-23053/5
 (CLASS I & III)



PART # 73251-0191

ES-89675-1590	CABLE ASSY INSTRUCTIONS
PS-89675-1190	ELECTRO/MECH PERFORMANCE
MIL-STD-348A, FIG. 310-1	INTERFACE
SPECIFICATION	DESCRIPTION

73251-0192	73251-0191 BY TRAY (20 CAV.)
PART NO.	PACKAGING

ADDED P/N: 73251-0192
 EC NO: URF2007-0497
 DRAWN BY: DRWANELIN 2007/06/15
 CHKD: 2007/06/21
 APPR: MHIANG 2007/06/21
 REV: A1

QUALITY SYMBOLS	DESCRIPTION
◻=0	
◻=0	

GENERAL TOLERANCES (UNLESS SPECIFIED)	DIMENSION STYLE
mm INCH	MM/IN
4 PLACES ± --- ± ---	DRAWN BY DATE
3 PLACES ± --- ± ---	MDE 1999/12/03
2 PLACES ± --- ± ---	CHECKED BY DATE
1 PLACE ± --- ± ---	GMH 1999/12/06
ANGULAR ± 2 °	APPROVED BY DATE
	GMH 1999/12/15
DRAFT WHERE APPLICABLE MUST REMAIN WITHIN DIMENSIONS	MATERIAL NO. DOCUMENT NO.
	SEE TABLE SD-73251-019

SCALE	DESIGN UNITS	THIRD ANGLE PROJECTION
	METRIC	
TITLE		
SMA PLUG, RA, 50 OHMS		
RG58,141,303		
SMA-PC/RA		
MOLEX INCORPORATED		
SHEET NO.		1 OF 1

THIS DRAWING CONTAINS INFORMATION THAT IS PROPRIETARY TO MOLEX INCORPORATED AND SHOULD NOT BE USED WITHOUT WRITTEN PERMISSION	
---	--