

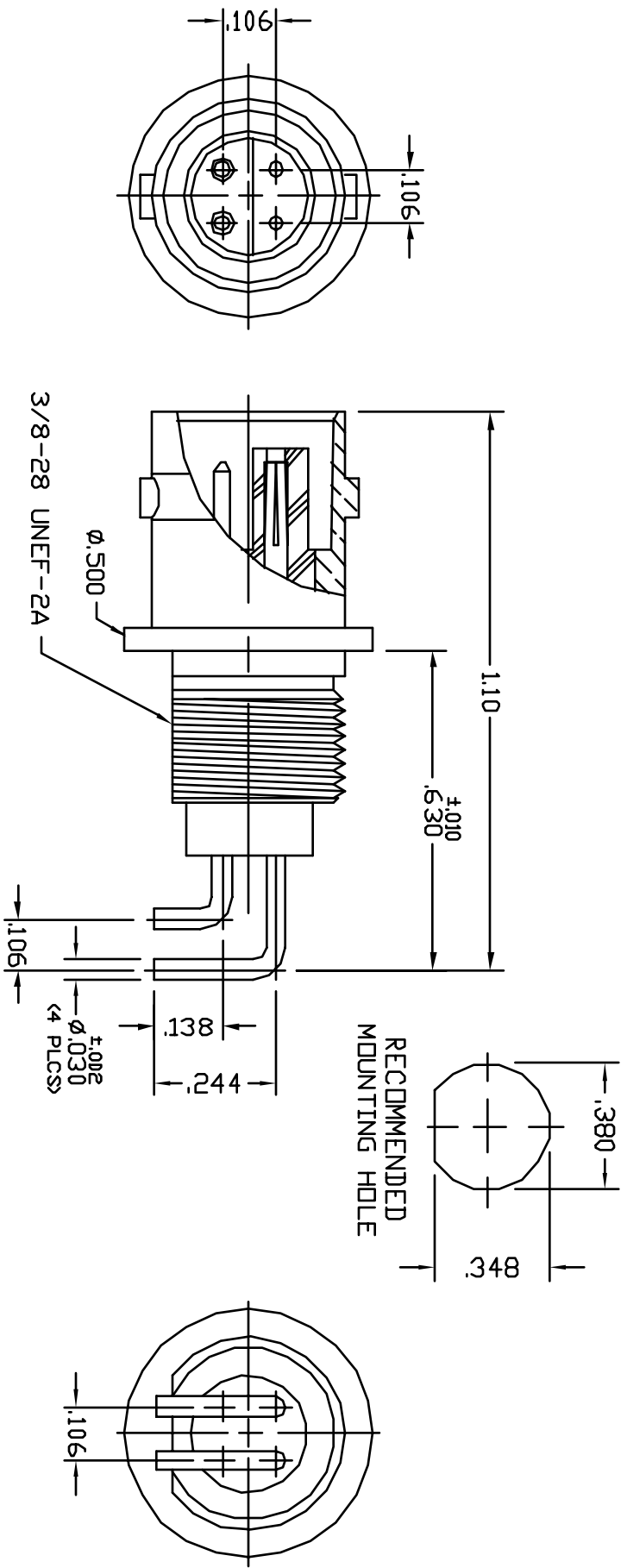
This document is the property of Berg Electronics. The design and specifications disclosed herein are proprietary and shall not be reproduced, copied or used for manufacture or sale of devices without expressed written authorization.

PART NO. 21JR123-1

MATERIAL BODY: BRASS PER ASTM B 16
 M CONTACT: BRASS PER ASTM B 16
 F CONTACT: BERYLLIUM COPPER PER ASTM B 196
 INSULATOR: PTFE FLUOROCARBON, ASTM-D1710

FINISH: BODY: PROPRIETARY BRIGHT NICKEL (IP23)
 CONTACTS: GOLD PLATE PER MIL-G-45204

IMPEDANCE: N/A
 FREQUENCY RANGE: N/A
 VOLTAGE RATING: 350 VRMS
 INSULATION RESISTANCE: 5000 MEGOHMS
 FORCE TO ENGAGE/DISENGAGE
 LONGITUDINAL: 5 LB'S MAX
 TORQUE: 3 1/2 IN-LB'S



COVER DRAWING

APPROVED		DRAWN BY: B THOMMEN		DATE: 11-3-95		TITLE: BNC QUADRAX JACK	
D GOULD	11-3-95	SCALE: 1:3		CAD FILE: 7559		RECEPTACLE	
A		TOLERANCES (EXCEPT AS NOTED)		FSCM NO. 24931		PART NO. 21JR123-1	
A1		DIM: .XXX ±.020		FSCM NO. 24931		SHEET 1 OF 1	
D GOULD		ANGLES: ±1'		FSCM NO. 24931		SHEET 1 OF 1	
REMOVE MTG HARDWARE		FINC.: .005 TR		FSCM NO. 24931		SHEET 1 OF 1	
UPDATE DIMS		SURF.: 64 ✓		FSCM NO. 24931		SHEET 1 OF 1	