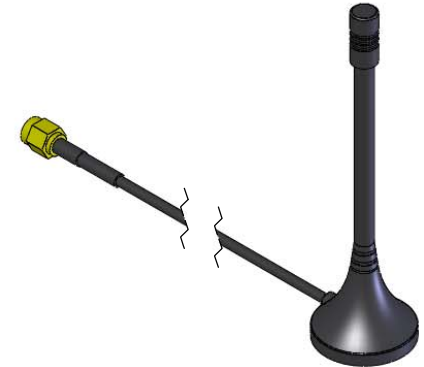
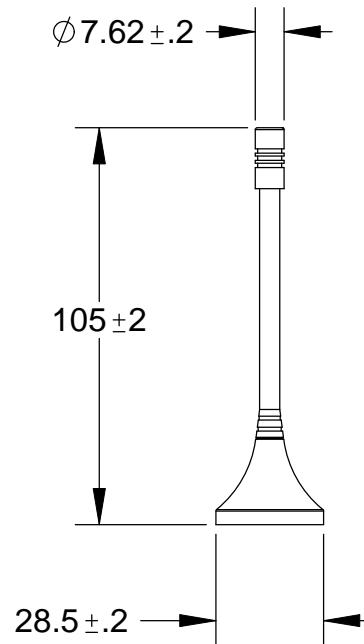
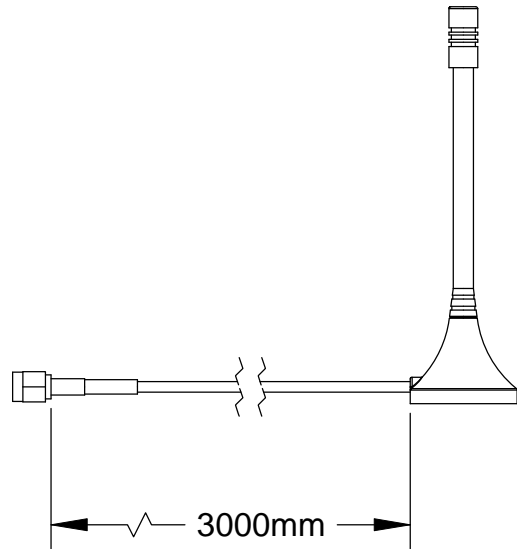


Specifications	
Manufacturer	Boboto
Model	TQC-800/1900-3A
Type	Mag Mount
Frequency	850/1900 MHz
Polarization	Vertical
Gain	3dBi
Impedance	50 Ohms
VSWR	2.0 : 1
Wave	1/4 Wave Dipole
Connector	SMA
Coax Cable	RG174
Housing	ABS/PVC
Color	Black
RoHS Compliant	Yes



ALL DIMENSIONS IN mm



-NOTICE-

This drawing may contain confidential and proprietary information of Multi-Tech Systems Inc.. It is loaned for limited purposes only and remains the property of Multi-Tech Systems Inc.. It may not be reproduced in whole or part without written consent. This drawing is to be returned upon request. Uncontrolled when printed.

Title  
850/1900 MHz Mag Mt Antenna

Drawn Dean Brandt 12/12/08  
Checked  
Approved

Scale	NONE	Sheet	1 of 1
Size	A	Dwg. No.	ANC2-1MMQW 45009707L
Rev.	-		