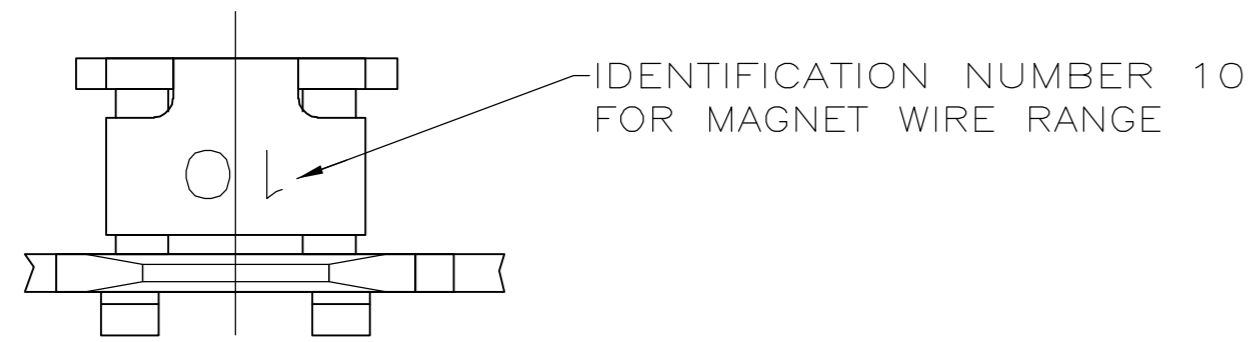
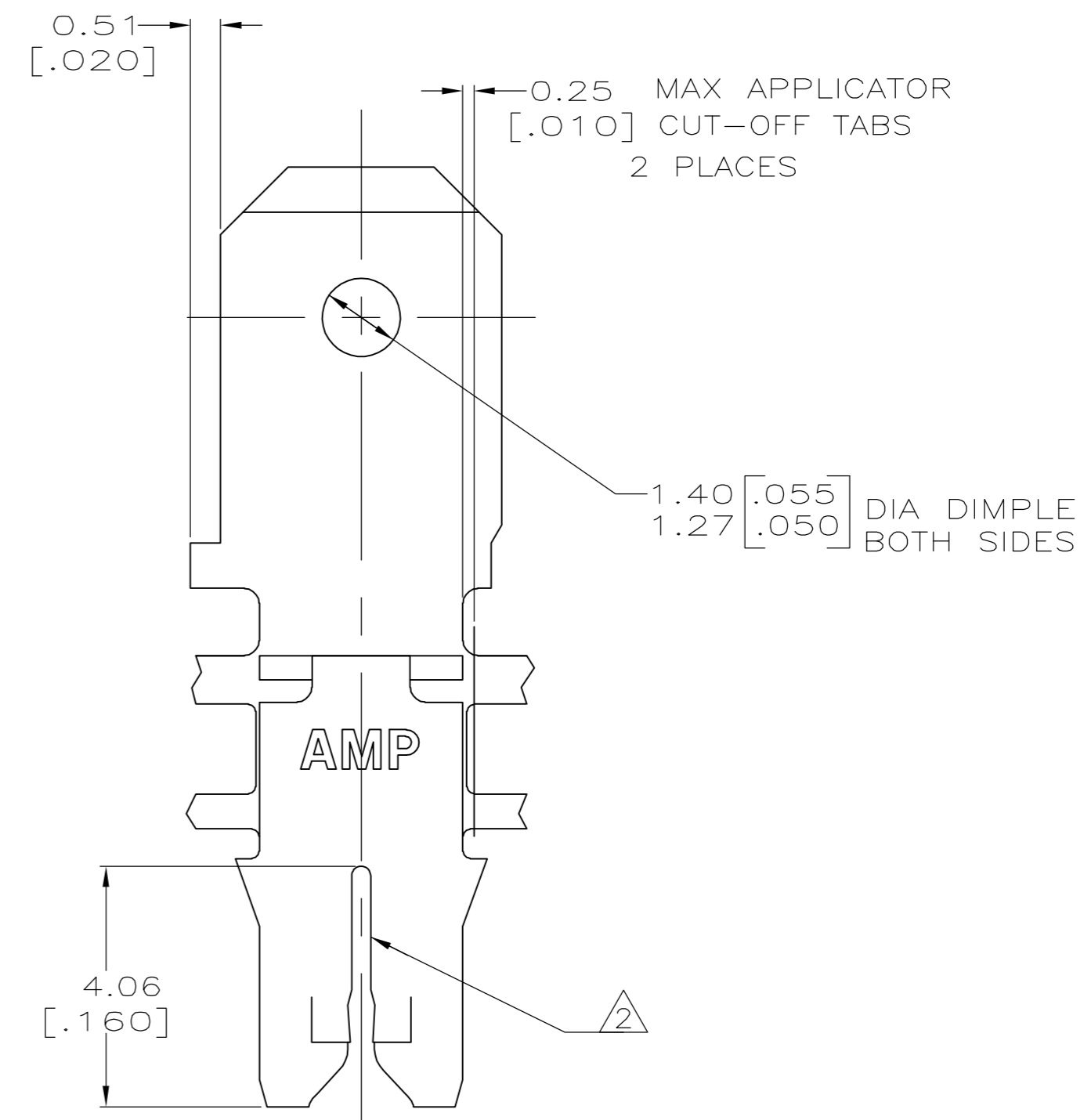
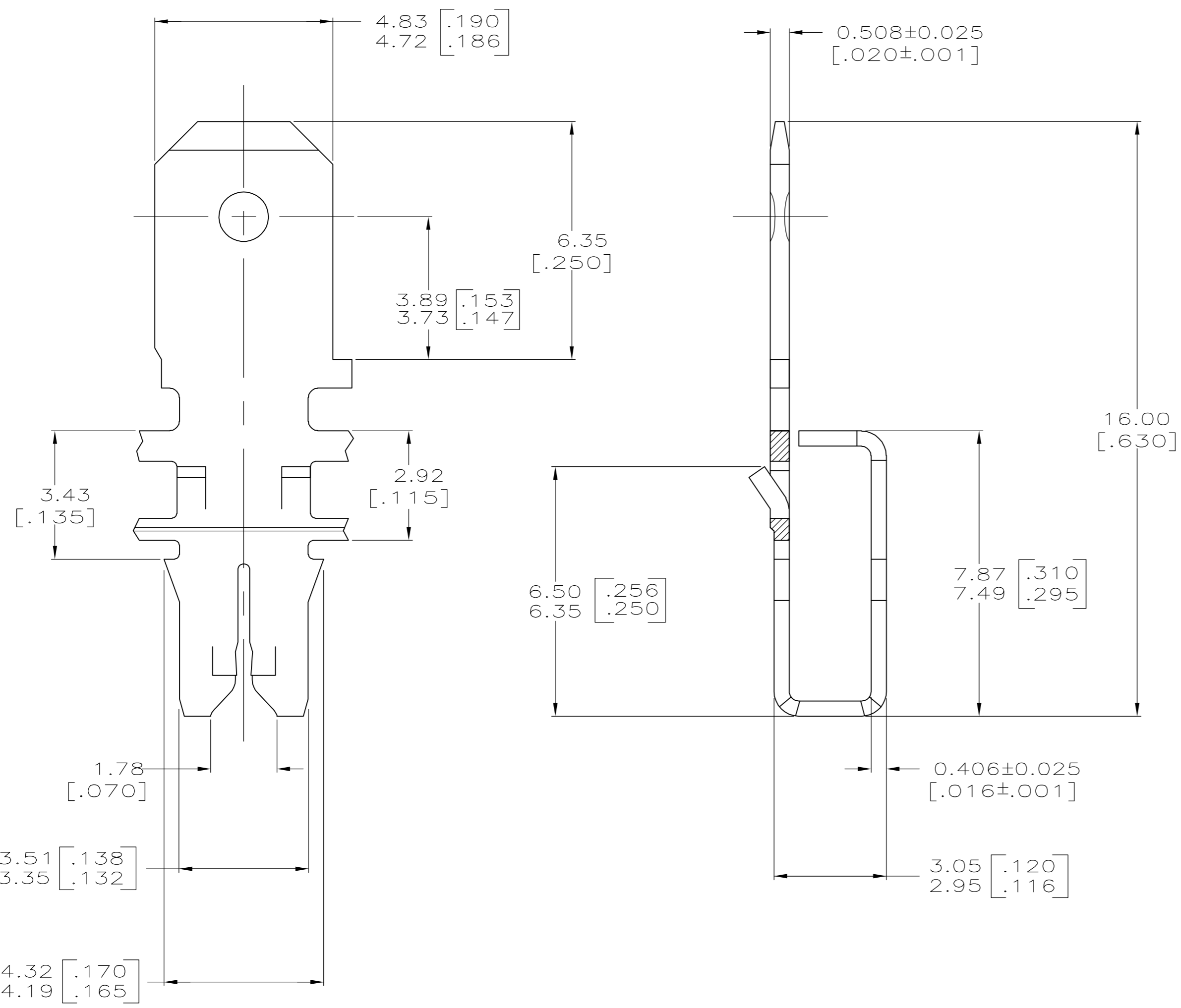


THIS DRAWING IS UNPUBLISHED. RELEASED FOR PUBLICATION  
 © COPYRIGHT BY TYCO ELECTRONICS CORPORATION. ALL RIGHTS RESERVED.

LOC		DIST		REVISIONS			
P	LTR	DESCRIPTION	DATE	DWN	APVD		
AF	50	H	REV PER 0G3A-0730-04	06OCT2004	RF	KR	



1 CONTINUOUS STRIP ON REELS WITH TERMINALS LOCATED ON 5.59±0.08 [.220±.003] CENTERS. SLOT TERMINATES EITHER A SINGLE OR DOUBLE MAGNET WIRE OF THE SAME SIZE AND TYPE. COPPER RANGE: 0.36-0.57mm [#27-#23] AWG.



THIS DRAWING IS A CONTROLLED DOCUMENT.		DWN MICHAEL S. FEHER 6/28/93	<b>tyco</b> Tyco Electronics Corporation Harrisburg, PA 17105-3608	
DIMENSIONS: INCHES		CHK LORI A. MAYER 7/1/93	NAME TERMINAL, TAB, 4.75 [.187] FASTON, MAG-MATE	
TOLERANCES UNLESS OTHERWISE SPECIFIED:		APVD T. SHUTTER 7/1/93	PRODUCT SPEC 108-2012	
0 PLC ± -		APPLICATION SPEC 114-2067		
1 PLC ± -		SIZE A2		
2 PLC ± 0.25 [.010]		CAGE CODE 00779		
3 PLC ± -		DRAWING NO C=63107		
4 PLC ± -		RESTRICTED TO -		
ANGLES ± -		SCALE 10:1		
MATERIAL 4M PRE-MILLED BRASS		WEIGHT -		
FINISH 0.002032 [.000080] MIN TIN		SHEET 1 OF 1		
CUSTOMER DRAWING		REV H		

63107