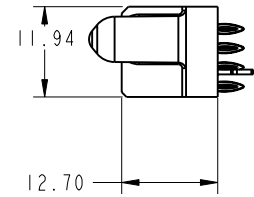
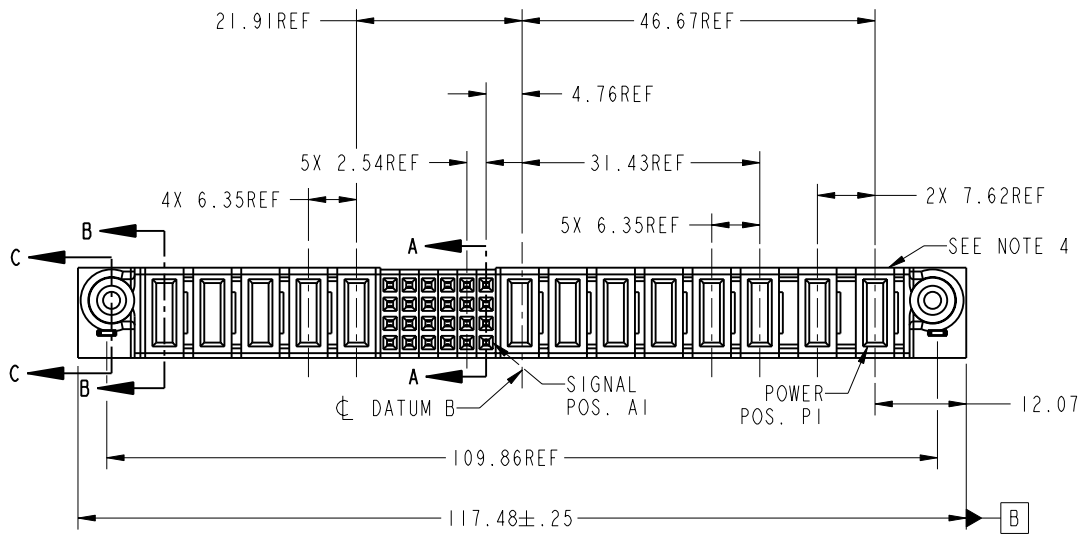


Tous droits strictement réservés. Reproduction ou communication a des tiers interdite sous quelque forme que ce soit sans autorisation écrite du propriétaire. Propriété de c FCI. Droits de reproduction FCI.



All rights strictly reserved. Reproduction or issue to third parties in any form whatever is not permitted without written authority from the proprietor. Property of FCI. Copyright FCI.

PRODUCT NO.	ROWS	POWER					SIGNAL					POWER										
		E2	P13	P12	P11	P10	P9	6	5	4	3	2	1	P8	P7	P6	P5	P4	P3	P2	P1	E1
51940-171-- NOTE: ③	D C B A		PF	PF	PF	PF	PF	F	F	F	F	F	F	F	F	F	F	F	F	F	F	



CODE	DIM "M" MATING LENGTH	CONTACT TYPE
PF	[2.34]	POWER
F	[N/A]	SIGNAL
HA	[N/A]	HOLD-DOWN
PC	[1.07]	POWER

mat'l code				SEE NOTE		tolerances unless otherwise specified		CUSTOMER	
ltr	ecr no.	dr	date	linear	0.X ± 0.3			COPY	
A	DG05-0371	JMG	09/30/05	angles	0.XX ± 0.10			projection	
					0.XXX ± 0.050				
				dr	JM Guo 09/30/05			MM	
				enrg	SLUO 09/30/05			scale	
				chr	BEER FU 09/30/05			1:1	
				oppd	JOSEPH HSIA 09/30/05				
sheet index	revision sheet	A	A	A	A				
		1	2	3	4				

<b>CONFIDENTIAL</b>			
		www.fciconnect.com	
title		2Acp + 6P + 24S + 5P VERTICAL PF RECEPT	
product family		PwrBlade	
size	dwg no	code	
A	51940-171	213	
		sheet 1 of 4	
cage code		22526	

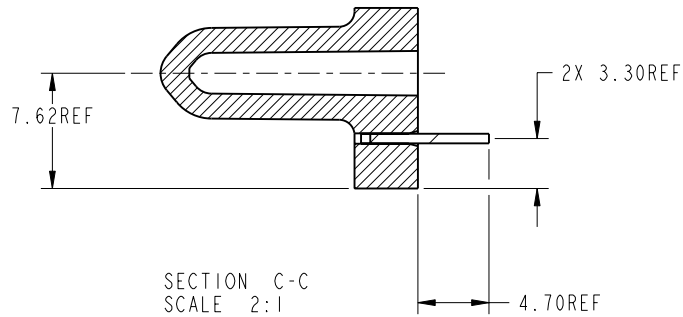
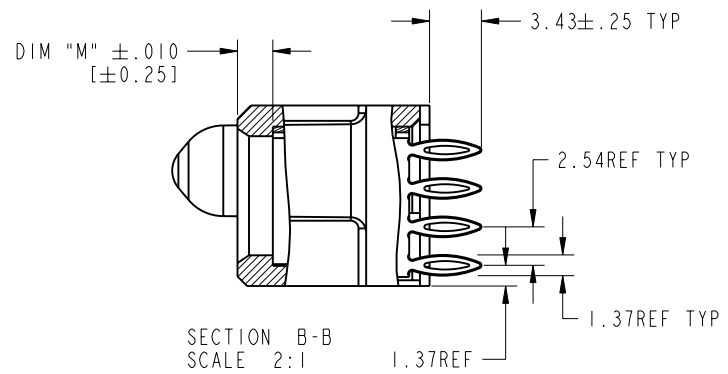
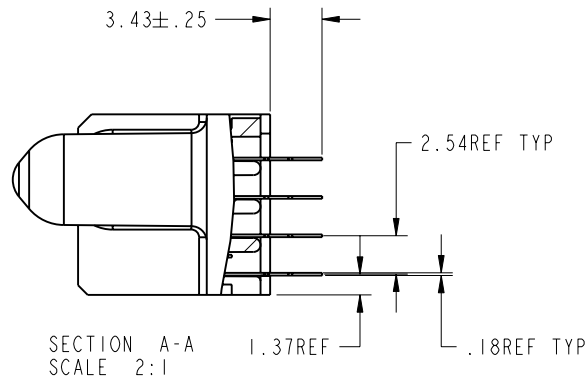
Tous droits strictement reserves. Reproduction ou communication a des tiers interdite sous quelque forme que ce soit sans autorisation ecrite du proprietaire. Propriete de c FCI. Droits de reproduction FCI.

All rights strictly reserved. Reproduction or issue to third parties in any form whatever is not permitted without written authority from the proprietor. Property of FCI. Copyright FCI.



PRODUCT NUMBER

51940-171...  
NOTE: 3



CONFIDENTIAL

mat'l code				SEE NOTE		tolerances unless otherwise specified		CUSTOMER		FCI www.fciconnect.com	
ltr	ecr no.	dr	date	linear	0.X ± 0.3		COPY		projection	title	
A					0.XX ± 0.10		MM			2Acp + 6P + 24S + 5P VERTICAL PF RECEPT	
					angles	0.XXX ± 0.050		scale		product family	
						0° ± 2°		1:1		PwrBlade	
				dr	JM Guo	09/30/05			size	dwg no	code
				engr	SLUO	09/30/05			A	51940-171	213
				chr	BEER FU	09/30/05					sheet
				appd	JOSEPH HSIA	09/30/05					2 of 4
sheet index	revision sheet										

cage code 22526

Pro/E

PDM: Rev:A

STATUS: Released

Printed: Dec 20, 2010

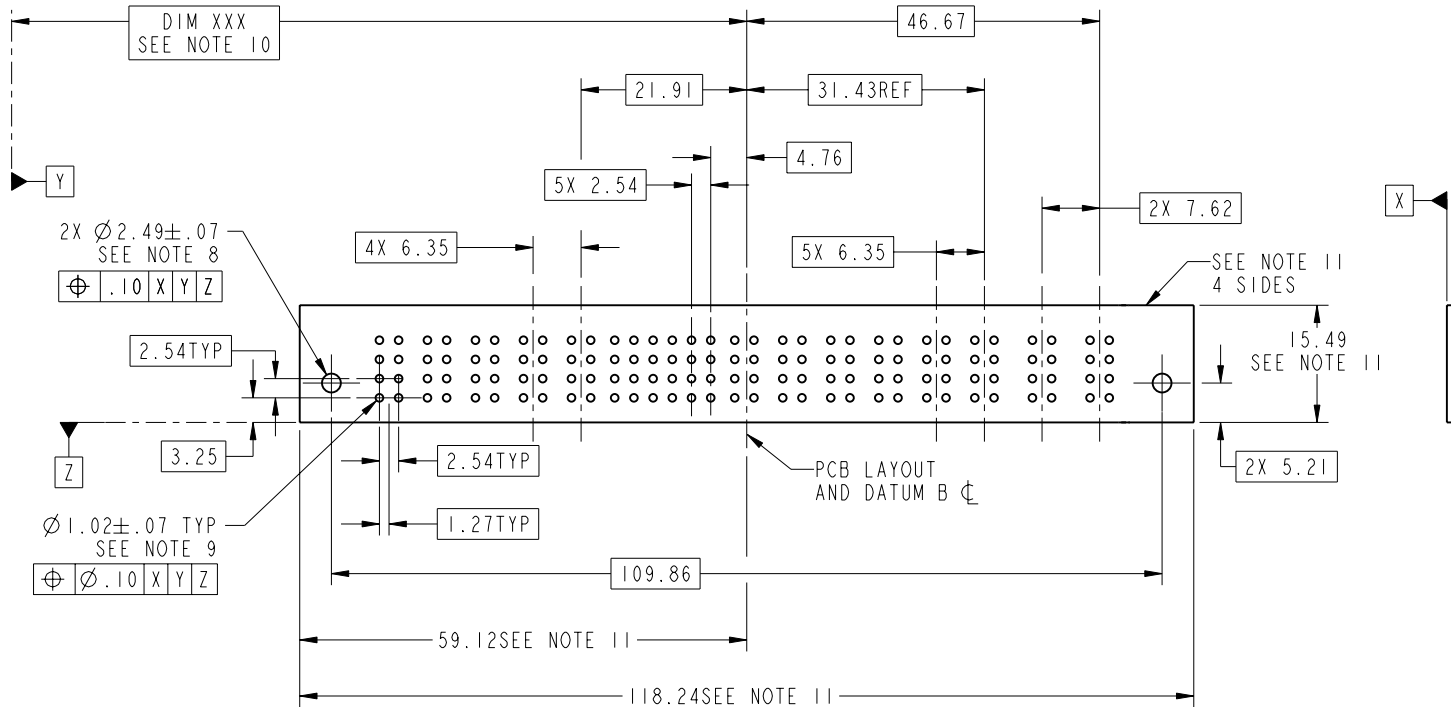
Tous droits strictement reserves. Reproduction ou communication a des tiers interdite sous quelque forme que ce soit sans autorisation ecrite du proprietaire. Propriete de c FCI. Droits de reproduction FCI.



All rights strictly reserved. Reproduction or issue to third parties in any form whatever is not permitted without written authority from the proprietor. Property of FCI. Copyright FCI.

PRODUCT NUMBER

51940-171--  
NOTE: 3



CONFIDENTIAL

mat'l code				SEE NOTE		tolerances unless otherwise specified		CUSTOMER		FCI www.fciconnect.com	
ltr	ecr no.	dr	date	linear	0.X ±0.3		COPY		projection	title	
A					0.XX ±0.10		MM			2Acp + 6P + 24S + 5P VERTICAL PF RECEPT	
					0.XXX ±0.050		←→			product family PwrBlade code	
				angles	0° ±2°		scale		A	size	
				dr	JM Guo	09/30/05	1:1			dwg no	
				engr	SLUO	09/30/05				51940-171	
				chr	BEER FU	09/30/05			sheet		
				appd	JOSEPH HSIA	09/30/05			3 of 4		
sheet index		revision sheet								coge code	
										22526	

Pro/E

coge code 22526

Tous droits strictement réservés. Reproduction ou communication a des tiers interdite sous quelque forme que ce soit sans autorisation écrite du propriétaire. Propriété de c FCI. Droits de reproduction FCI.



All rights strictly reserved. Reproduction or issue to third parties in any form whatever is not permitted without written authority from the proprietor. Property of FCI. Copyright FCI.

**PRODUCT NUMBER**

51940-171\_\_  
NOTE: 3


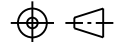

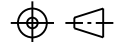
NOTES:

1. DIMENSIONS AND TOLERANCES ARE IN ACCORDANCE WITH ASME Y14.5M, 1994 UNLESS OTHERWISE SPECIFIED.

CONNECTOR NOTES:

- 2 HOUSING MATERIAL: UL 94 V-0 GLASS FILLED  
HIGH-TEMP THERMOPLASTIC  
POWER CONTACT MATERIAL: COPPER ALLOY  
SIGNAL PIN MATERIAL: COPPER ALLOY
  - 3. 51940-171;51940-171LF;51940-171GLF PLATING SPEC. SEE PRINT:10064183
  - 4 MANUFACTURER'S NAME, P/N, AND DATE CODE TO APPEAR ON THIS SURFACE.
  - 5. PRODUCT SPECIFICATION GS-12-149.  
APPLICATION SPECIFICATION BUS-20-067.
  - 6. PACKAGED IN TRAYS.
- PCB NOTES:
- 7. ALL HOLE DIAMETERS ARE FINISHED HOLE SIZE.
  - 8 MOUNTING HOLES, WHERE APPLICABLE, ARE UNPLATED.
  - 9  $\varnothing 1.151 \pm 0.025$  DRILLED HOLES PLATED WITH  
0.008 MIN SnPb OVER 0.03  
TO 0.08 Cu PLATING TO ACHIEVE  
 $\varnothing 1.02 \pm .07$  HOLE.
  - 10 "DIM XXX" TO BE DETERMINED BY THE CUSTOMER.
  - 11 CONNECTOR KEEP-OUT ZONE.

**CONFIDENTIAL**

mat'l code				SEE NOTE		tolerances unless otherwise specified		CUSTOMER		 www.fciconnect.com		
ltr	ecn no.	dr	date	linear	.XX±.01/0.X±0.3		COPY		projection	title		
A					.XXX±.005/0.XX±0.13					2Acp + 6P + 24S + 5P VERTICAL PF RECEPT		
				angles	.XXX±.0020/0.XXX±0.051					product family		
				dr	JM Guo	09/30/05	scale			PwrBlade		code
				engr	SLUO	09/30/05	1:1		A	size	dwg no	213
				chr	BEER FU	09/30/05				51940-171		sheet
				appd	JOSEPH HSIA	09/30/05					4 of 4	
sheet index	revision sheet											

Pro/E

cage code 22526

**PDM: Rev:A**

STATUS: **Released**

Printed: Dec 20, 2010