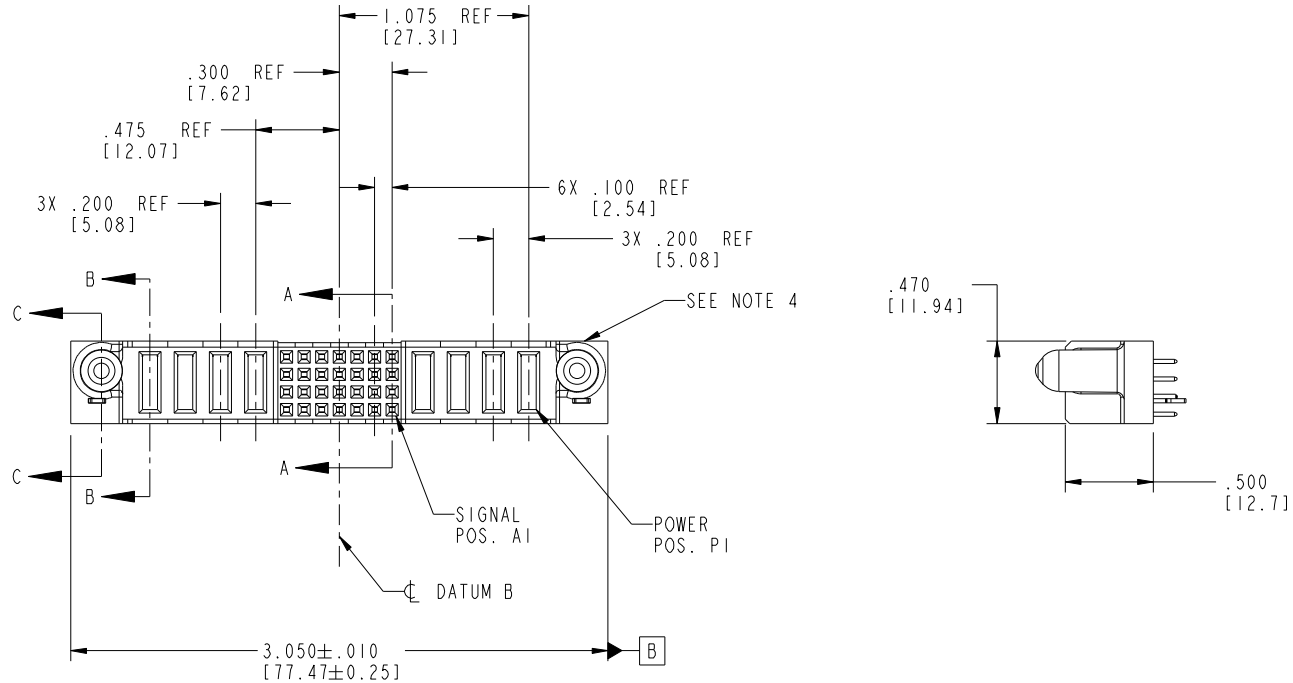


Tous droits strictement reserves. Reproduction ou communication a des tiers interdite sous quelque forme que ce soit sans autorisation ecrite du proprietaire. Propriete de c FCI. Droits de reproduction FCI.



All rights strictly reserved. Reproduction or issue to third parties in any form whatever is not permitted without written authority from the proprietor. Property of FCI. Copyright FCI.

PRODUCT NO.	ROWS	POWER				SIGNAL								POWER					
		E2	P8	P7	P6	P5	7	6	5	4	3	2	1	P4	P3	P2	P1	E1	
51940-038 Note: ③	0 A						E	E	E	E	E	E	E	E	E	E	E	E	E



CODE	DIM "M" MATING LENGTH	CONTACT TYPE
PA	.042 [1.07]	POWER
E	N/A [N/A]	SIGNAL
HA	N/A [N/A]	HOLD-DOWN

mat'l code SEE NOTE 2		tolerances unless otherwise specified		CUSTOMER		 www.fciconnect.com	
ltr	ecn no.	dr	date	linear	.XX±.01/0.X±0.3	COPY	
A	V03-0391	MEM	4/7/03	projection	.XXX±.005/0.XX±0.13	title 4P + 28S + 4P	
B	DG04-0086	LH	11/26/04	angles	.XXX±.002/0.XXX±0.051	VERTICAL SOLDER RECEPT	
C	DG05-0123	SJ	05/24/05		0°±2°	product family PwrBlade code 213	
D	DG08-0272	SH	09/28/08	dr	M.MOSTOLLER 4/7/03	size dwg no 51940-038 sheet 1 of 4	
				enrg	M.MOSTOLLER 4/7/03	scale 1:1	
				chr	H.BREWBAKER 4/7/03	cage code 22526	
				appd	M.MOSTOLLER 4/7/03		
sheet index	revision sheet	D	D	D	D		
		1	2	3	4		

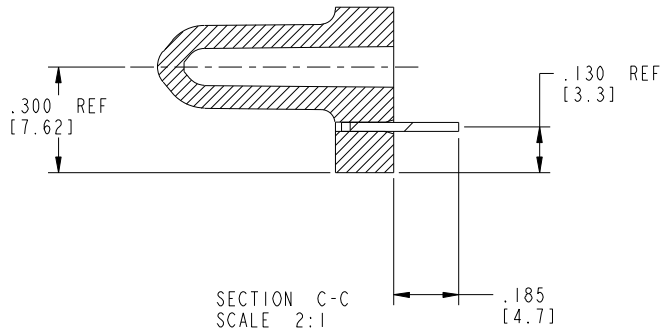
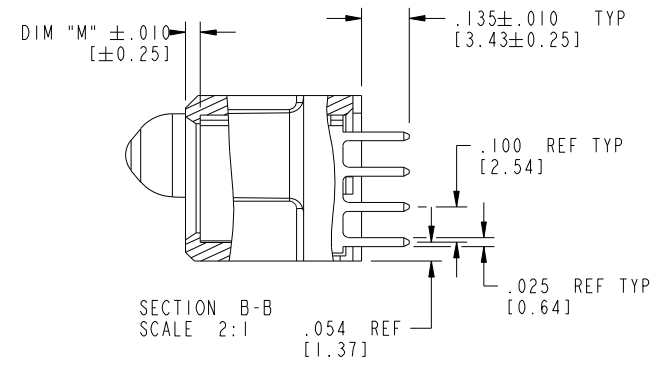
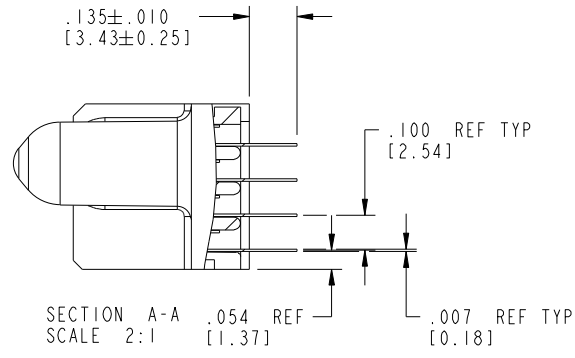
Pro/E

cage code 22526

Tous droits strictement reserves. Reproduction ou communication a des tiers interdite sous quelque forme que ce soit sans autorisation écrite du propriétaire. Propriete de c FCI. Droits de reproduction FCI.

All rights strictly reserved. Reproduction or issue to third parties in any form whatever is not permitted without written authority from the proprietor. Property of FCI. Copyright FCI.

PRODUCT NUMBER
51940-038__
Note: ③



mat'l code		SEE NOTE 2		tolerances unless otherwise specified		CUSTOMER		FCJ	
ltr	ecn no.	dr	date	linear	.XX ± .01 / 0.X ± 0.3	COPY		www.fciconnect.com	
D				projection	.XXX ± .005 / 0.XX ± 0.13	title		4P + 28S + 4P	
				angles	.XXX ± .0020 / 0.XXX ± 0.051	product family		PwrBlade	
				dr	0° ± 2°	size		213	
				enr	M.MOSTOLLER 4/7/03	scale		2 of 4	
				chr	M.MOSTOLLER 4/7/03	INCH/MM		code	
				appd	H.BREWBAKER 4/7/03	1:1		51940-038	
sheet index	revision sheet					A		cage code	
						22526		4	

Pro/E

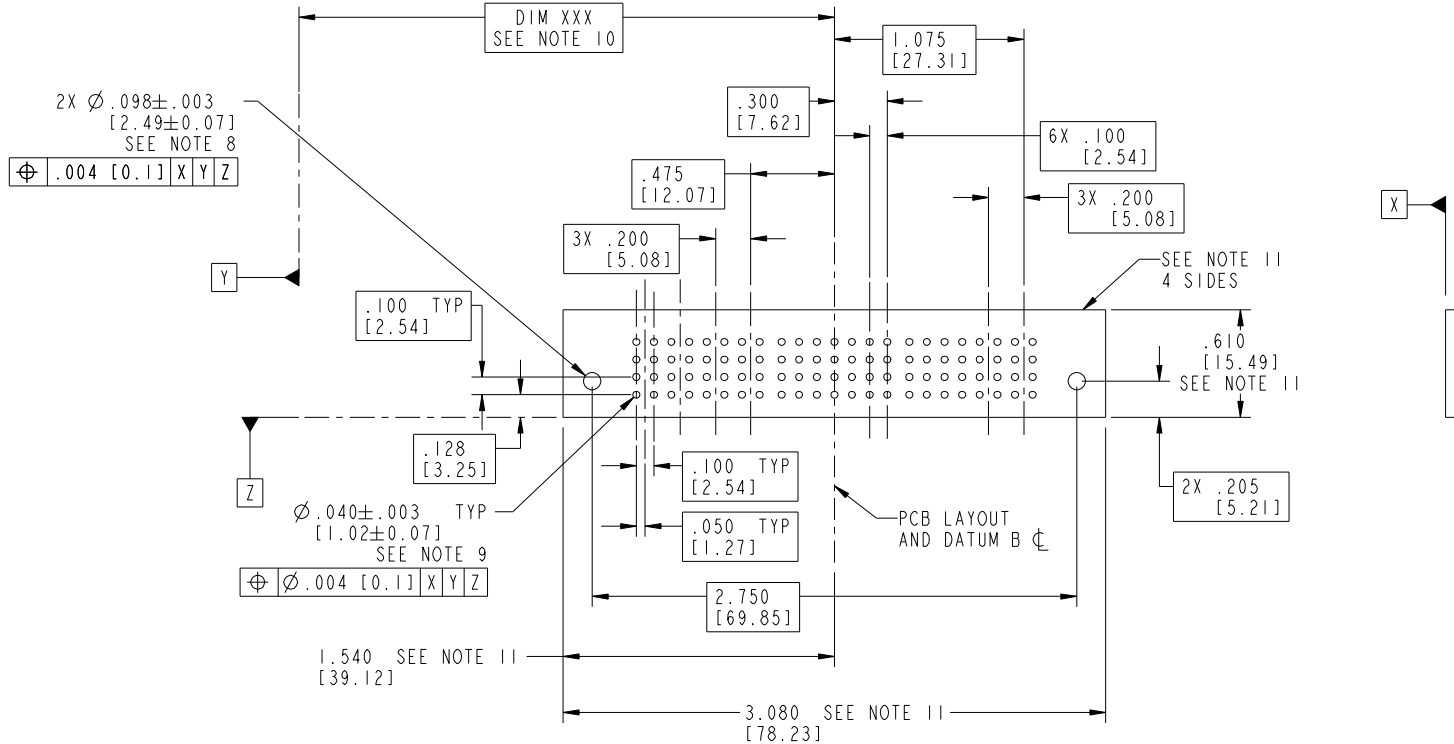
cage code 22526

Tous droits strictement réservés. Reproduction ou communication à des tiers interdite sous quelque forme que ce soit sans autorisation écrite du propriétaire. Propriété de c.FCI. Droits de reproduction FCI.



All rights strictly reserved. Reproduction or issue to third parties in any form whatever is not permitted without written authority from the proprietor. Property of FCI. Copyright FCI.

PRODUCT NUMBER
51940-038__
Note: ③



RECOMMENDED PCB LAYOUT

mat'l code				SEE NOTE 2		tolerances unless otherwise specified		CUSTOMER		 www.fciconnect.com		
ltr	ecr no.	dr	date	linear	.XX±.01/0.X±0.3		COPY		title			
D					.XXX±.005/0.XXX±0.13		projection		4P + 28S + 4P			
				angles	.XXX±.0020/0.XXX±0.051		 INCH/MM		VERTICAL SOLDER RECEPT			
					0°±2°		scale		product family		code	
				dr	M.MOSTOLLER	4/7/03	1:1		PwrBlade		213	
				enr	M.MOSTOLLER	4/7/03			size		sheet	
				chr	H.BREWBAKER	4/7/03			dwg no		3 of 4	
				appd	M.MOSTOLLER	4/7/03			A		51940-038	
sheet index		revision sheet										

cage code 22526

Pro/E

Tous droits strictement reserves. Reproduction ou communication a des tiers interdite sous quelque forme que ce soit sans autorisation écrite du propriétaire. Propriete de c FCI. Droits de reproduction FCI.



All rights strictly reserved. Reproduction or issue to third parties in any form whatever is not permitted without written authority from the proprietor. Property of FCI. Copyright FCI.

PRODUCT NUMBER
51940-038__
Note: ③

NOTES:

1. DIMENSIONS AND TOLERANCES ARE IN ACCORDANCE WITH ASME Y14.5M, 1994 UNLESS OTHERWISE SPECIFIED.

CONNECTOR NOTES:

② HOUSING MATERIAL: UL 94 V-0 GLASS FILLED
HIGH-TEMP THERMOPLASTIC
POWER CONTACT MATERIAL: COPPER ALLOY
SIGNAL PIN MATERIAL: COPPER ALLOY

③ PLATING:
⚠ SEE ITEM 5 & 6 IN PRINT 10064183 FOR PLATING SPEC OF 51940-038 AND 51940-038LF RESPECTIVELY

④ MANUFACTURER'S NAME, P/N, AND DATE CODE TO APPEAR ON THIS SURFACE.

5. PRODUCT SPECIFICATION GS-12-149.
APPLICATION SPECIFICATION BUS-20-067.

6. PACKAGED IN TRAYS.

PCB NOTES:

7. ALL HOLE DIAMETERS ARE FINISHED HOLE SIZE.

⑧ MOUNTING HOLES, WHERE APPLICABLE, ARE UNPLATED.

⑨ $\varnothing .0453 \pm .0010$ [1.151 ± 0.025] DRILLED HOLES PLATED WITH .0003 [0.008] MIN SnPb OVER .001 [0.03] TO .003 [0.08] Cu PLATING TO ACHIEVE $\varnothing .040 \pm .003$ [1.02 ± .07] HOLE.

⑩ "DIM XXX" TO BE DETERMINED BY THE CUSTOMER.

⑪ CONNECTOR KEEP-OUT ZONE.

12. A ⚠ SYMBOL WILL BE NEXT TO ANY DIMENSION, VIEW, OR NOTE WHICH HAS BEEN MODIFIED WITH CURRENT DRAWING VERSION

mat'l code				SEE NOTE 2		tolerances unless otherwise specified		CUSTOMER		www.ficconnect.com	
ltr	ecn no.	dr	date	linear	.XX±.01/0.X±0.3		COPY			title	
D					.XXX±.005/0.XX±0.13		INCH/MM			4P + 28S + 4P	
				angles	.XXX±.002/0.XXX±0.051				product family		
					0° ± 2°		PwrBlade		code		
				dr	M.MOSTOLLER	4/7/03	scale		size		
				enr	M.MOSTOLLER	4/7/03	1:1		dwg no		
				chr	H.BREWBAKER	4/7/03	A		51940-038		
				appd	M.MOSTOLLER	4/7/03			sheet		
sheet index		revision sheet								4 of 4	

cage code 22526

Pro/E