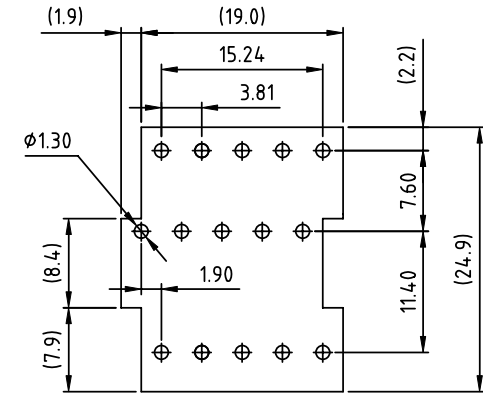
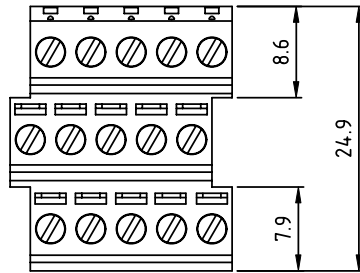
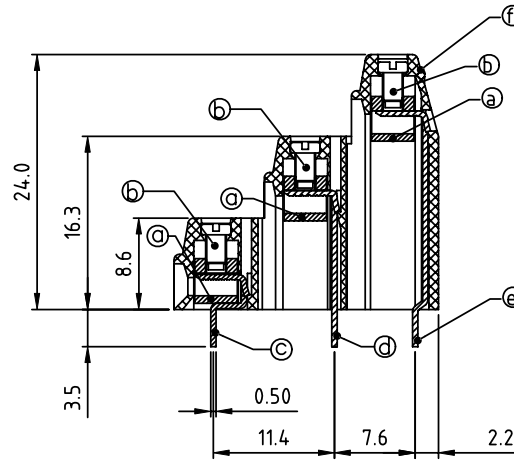
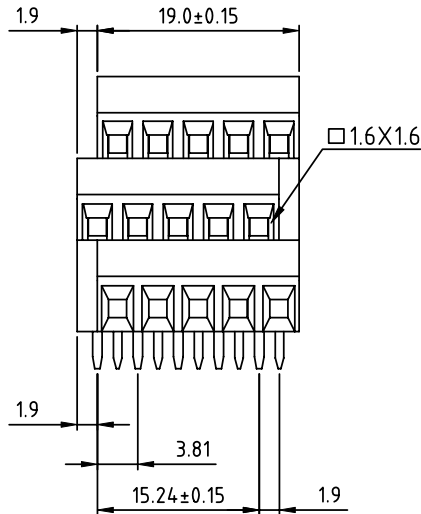


PRODUCT NUMBER	PITCH
YA1521x000J0G	3.81mm



RECOMMENDED P.C.B LAYOUT
TOP VIEW



Material

- Item Ⓐ Clamp: Brass Ni plated
- Item Ⓛ Terminal screw: Steel Zinc plating "-" slot type
- Item Ⓒ Solder pin1: Brass Tin plated (Y0 3.5)
- Item Ⓓ Solder pin2: Brass Tin plated (YP 3.5)
- Item Ⓔ Solder pin3: Brass Tin plated (YA 3.5)
- Item Ⓣ Terminal housing: Thermoplastic (UL94V-0)

Electrical cULus

- Voltage rating: 3000VAC
- Current rating: 10A
- Wire range:
- Solid wire(AWG): 16-24
- Stranded wire(AWG): 16-24
- Torque(Lb-In): 1.7
- Screw: M2
- Wire strip length: 5-6mm
- Withstanding Voltage: 1.3KV
- Operating temperature: -40°C to +115°C
- Soldering temperature: 260°C±5°C/5 Sec
- Safety Approval : cULus

PART NO.: YA 15 2 1 x 0 00J0 G

Solid Block	0	Black (RAL9005)	RoHS compliant (lead<4%)
No. of poles	2	Red (RAL3001/D)	In copper Alloy
15 3x5 POLES	3	Orange(RAL2011/P)	
	4	Yellow(RAL1018/A)	
	5	Green(RAL6018/T)	
	6	Blue (RAL5015/A)	
	8	Grey(RAL7035/D)	
	9	White(RAL1102)	
	C	Green(RAL6018/U)	

mat'l. code		surface ASME Y14.5	tolerance ASME Y14.5	projection	product family	
ltr ecn no dr date		tolerances unless otherwise specified		MM	TERMINAL BLOCK	
		angles	X.±0.5		title	
		X°±1'	X.X±0.3	TERMINAL BLOCK		
			X.XX±0.1	RISING CLAMP,180D WIRE INLET		
		dr	EVIN ZHONG 040714	scale		
		enrg	EVIN ZHONG 040714	dwg no		
		chr	HANKE FENG 040714	sheet 1 of 1		
		appd	SHI JUN 040714	size		
				YA1521x000J0G		
				A4		
				type		
				CUSTOMER Drawing		
sheet index	revision	A				
	sheet	1				