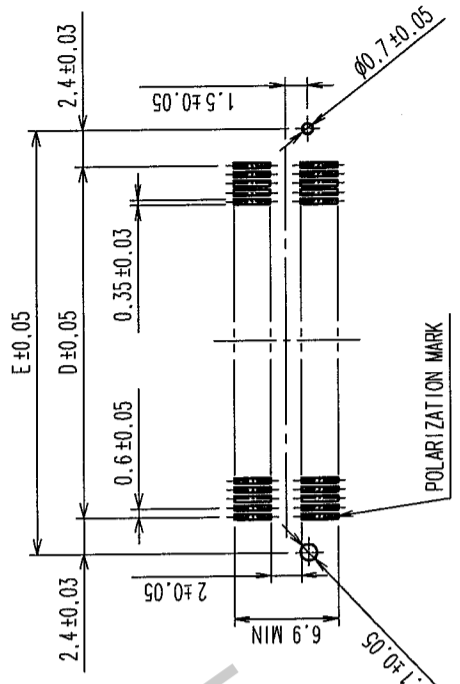


COUNT	DESCRIPTION OF REVISIONS	BY	CHKD	DATE	COUNT	DESCRIPTION OF REVISIONS	BY	CHKD	DATE
3	RE-F-09671	K.N	H.Y	04.04.08					

RECOMMENDED LAND PATTERN DIMENSION OF P.C.B. (MOUNTING SIDE)

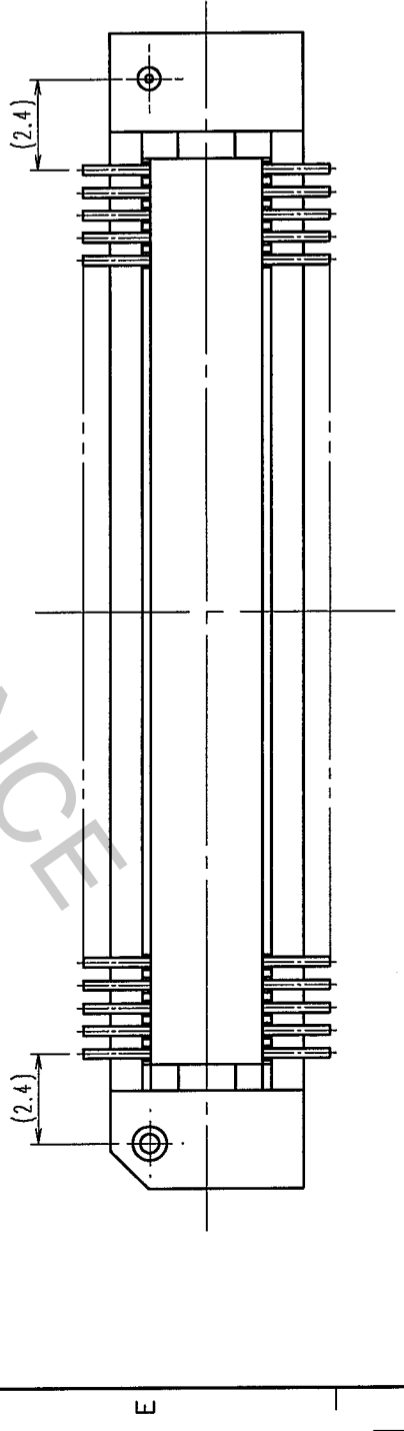
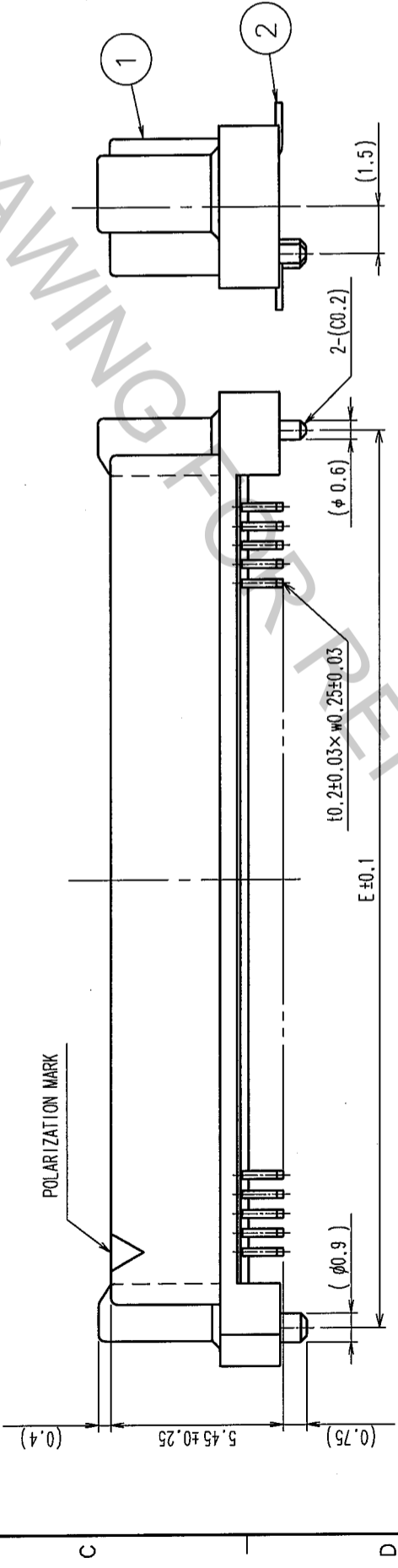
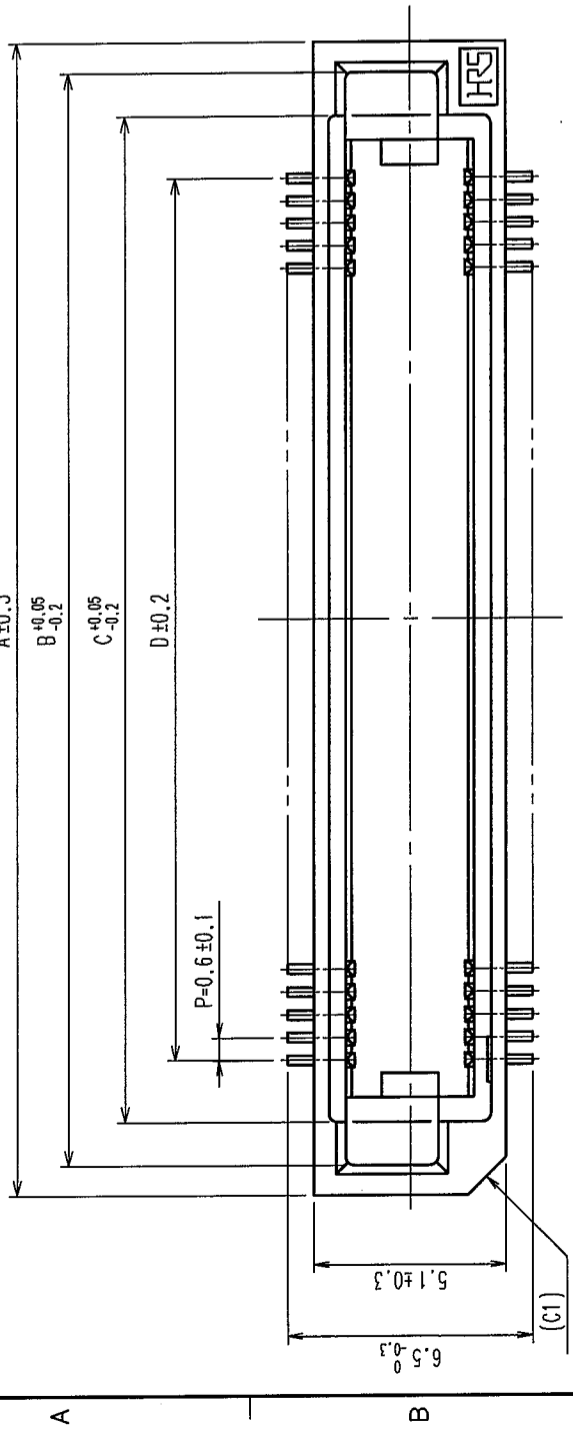


DIMENSION TABLE OF CONNECTOR AND P.C.B. LAND PATTERN.

PART No.	CODE No.	5	A	B	C	D	E
FX8C-60P-SV1(92)	CL578-0521-6-92	60	24.60	23.00	20.70	17.40	22.20
FX8C-80P-SV1(92)	CL578-0523-1-92	80	30.60	29.00	26.70	23.40	28.20
FX8C-100P-SV1(92)	CL578-0525-7-92	100	36.60	35.00	32.70	29.40	34.20
FX8C-120P-SV1(92)	CL578-0526-0-92	120	42.60	41.00	38.70	35.40	40.20
FX8C-140P-SV1(92)	CL578-0527-2-92	140	48.60	47.00	44.70	41.40	46.20

- NOTE 1. LEAD CO-PLANARITY SHALL BE 0.1mm MAX.
 2. EMBOSSED CARRIER TAPE PACKAGING SHALL BE APPLIED FOR THIS PRODUCT.
 SEE NEXT PAGE FOR DETAILS.
 3. FOR MODIFICATION, ETC., PREVENTIVE HOLE FOR SINK MARK MAY BE ADDED ACCORDING TO CIRCUMSTANCES.
 4. THE DIMENSIONS IN PARENTHESES ARE FOR REFERENCE.
 5 NUMBER OF CONTACTS.

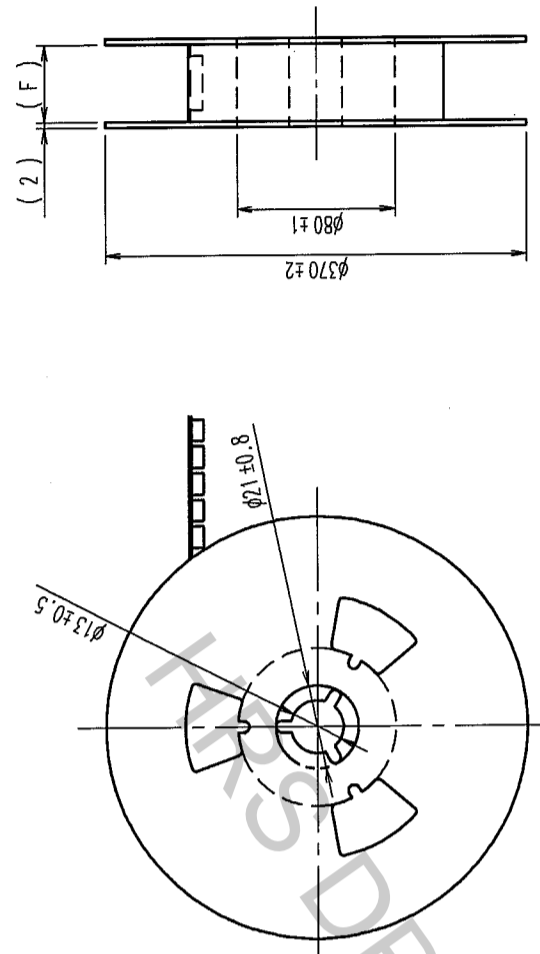
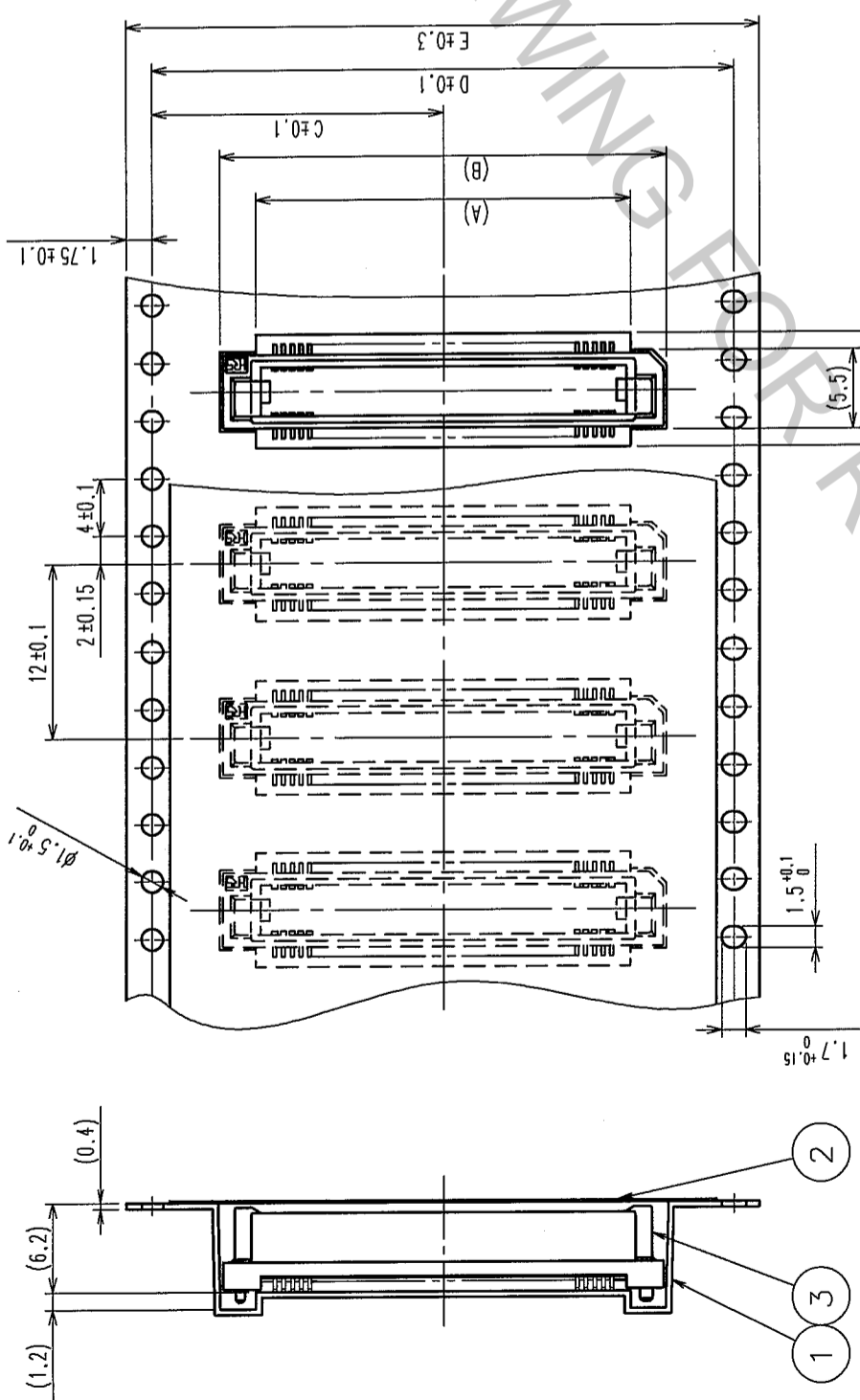
1	PPS	LIGHT BROWN (UL94V-0)	2	PHOSPHOR BRONZE	CONTACT AREA: GOLD 0.1μm min LEAD AREA: TIN-PLATING 1μm min UNDER PLATING: NICKEL 1μm min
NO.	MATERIAL	FINISH, REMARKS	NO.	MATERIAL	FINISH, REMARKS
CODE NO. (OLD) CL					
DESIGNED S. SUZUKI	CHECKED H. OKAWA	APPROVED Y. YOSHIMURA	DESIGNED K. NAKAMURA	CHECKED H. OKAWA	APPROVED Y. YOSHIMURA
03.02.03	03.02.12	03.02.14	03.02.03	03.02.12	03.02.15
DRAWING NO. EDC3-151087-22			PART NO. FX8C-**P-SV1(92)		
SCALE FREE			CODE NO. CL578		
UNITS mm			1/2		



TO	
PCK	

COUNT	DESCRIPTION OF REVISIONS	BY	CHKD	DATE	COUNT	DESCRIPTION OF REVISIONS	BY	CHKD	DATE

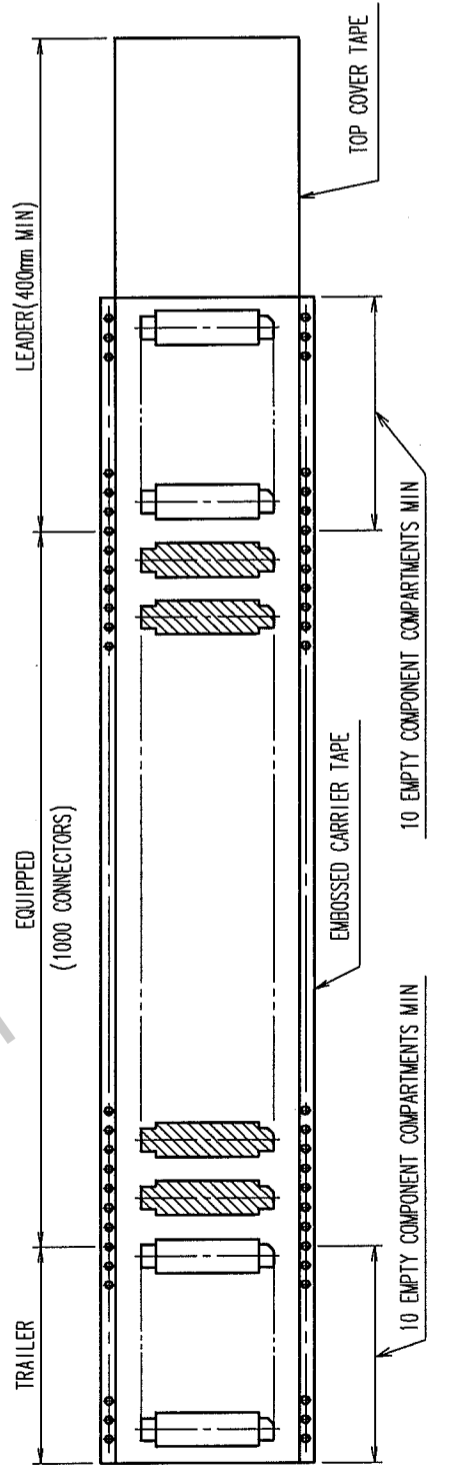
REEL DIMENSION



△ DIMENSION TABLE OF EMBOSSED CARRIER TAPE AND REEL.

PART No.	CODE No.	2	A	B	C	D	E	F
FX8C-60P-SV1(92)	CL578-0521-6-92	60	20	25	20.2	40.4	44	44.4
FX8C-80P-SV1(92)	CL578-0523-1-92	80	26	31	20.2	40.4	44	44.4
FX8C-100P-SV1(92)	CL578-0525-7-92	100	32	37	26.2	52.4	56	56.4
FX8C-120P-SV1(92)	CL578-0526-0-92	120	38	43	26.2	52.4	56	56.4
FX8C-140P-SV1(92)	CL578-0527-2-92	140	44	49	34.2	68.4	72	72.4

NOTE 1 1 REEL : 1000 CONNECTORS
 2 NUMBER OF CONTACTS



2 POLYESTER (TOP COVER TAPE)		3 (CONNECTOR)							
NO.	MATERIAL	FINISH, REMARKS	NO.	MATERIAL	DESIGNED	CHECKED	APPROVED	RELEASED	
1	PS	(EMBOSSED CARRIER TAPE)	3						
CODE NO. (OLD) CL		DRAWN S. SUZUKI		DESIGNED K. NAKAMURA		CHECKED H. OKAWA		APPROVED Y. YOSHIMURA	
SCALE FREE		PART NO. EDC3-151087-22		PART NO. FX8C-**P-SV1(92)		CODE NO. CL578		UNITS ITTT	

TO
PCK