

5

4

3

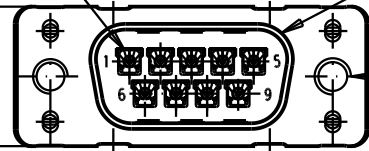
2

1

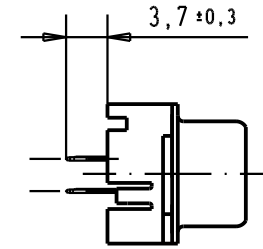
Mating face according to : MIL-C-24308 / DIN 41652 / CECC 75301-802

No. 1 contact

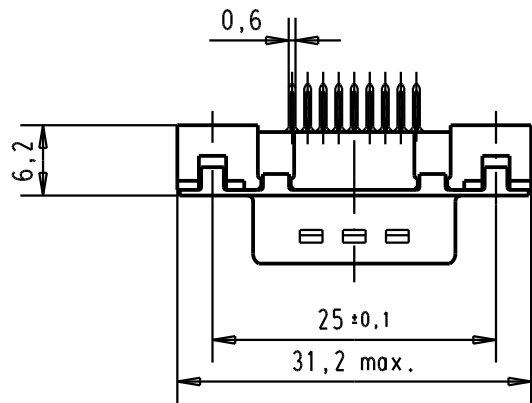
12,5 max.



nut thread



Printed board layout
component side



$4 \times 2,74 = 10,96$

$3 \times 2,74 = 8,22$

2,74

No.1 contact

$\phi 3,1 \pm 0,1$

$\phi 0,1$

2,84

1,42

No.6 contact

2,74

$\phi 1 \pm 0,1$

$\phi 0,05$

25

No.9 contact

| | | | | | | | | |
|----------------|------------|-------------------|-------|----------|------|--|--|--|
| 09 65 121 3701 | M3 | 1 | | | | | | |
| 09 65 121 6701 | M3 | 2 | | | | | | |
| 09 65 121 7701 | M3 | 3 | | | | | | |
| 09 65 121 3702 | 4-40 UNC | 1 | | | | | | |
| 09 65 121 6702 | 4-40 UNC | 2 | 31892 | 22/04/04 | JH | | | |
| 09 65 121 7702 | 4-40 UNC | 3 | 29723 | 05/03/02 | CV | | | |
| Part number | Nut thread | Performance level | Mod. | Dat. | Name | | | |

| | | |
|---------|----------|------|
| | Dat. | Name |
| Detail. | 05/03/02 | CV |
| Insp. | | |
| Stand. | | |



All Dim. in mm
Orig. Size DIN A 4

D-Sub, 9 poles,
male, straight,
with solder pins 3.7,
and nuts.

Maßstab/
Scale

1,5:1

HARTING EURL
F-95972 Paris



TB 09 65 121 X70X

Blatt/ Page

2

Sub.