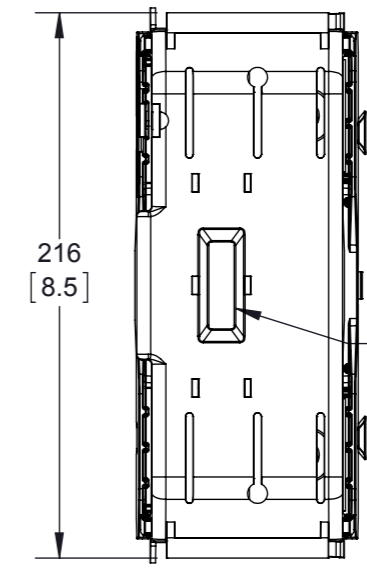
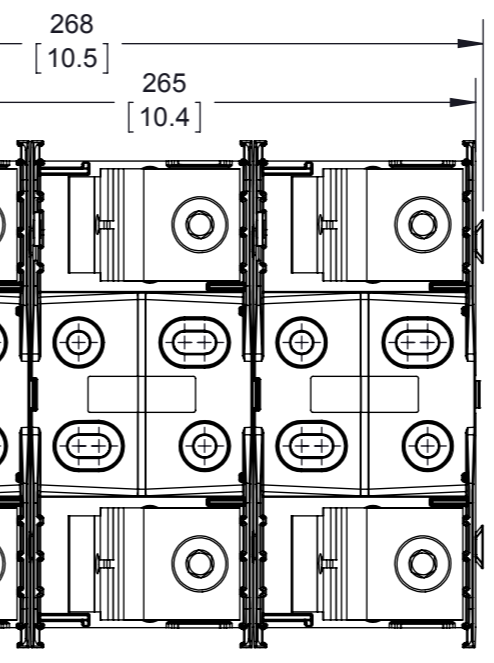
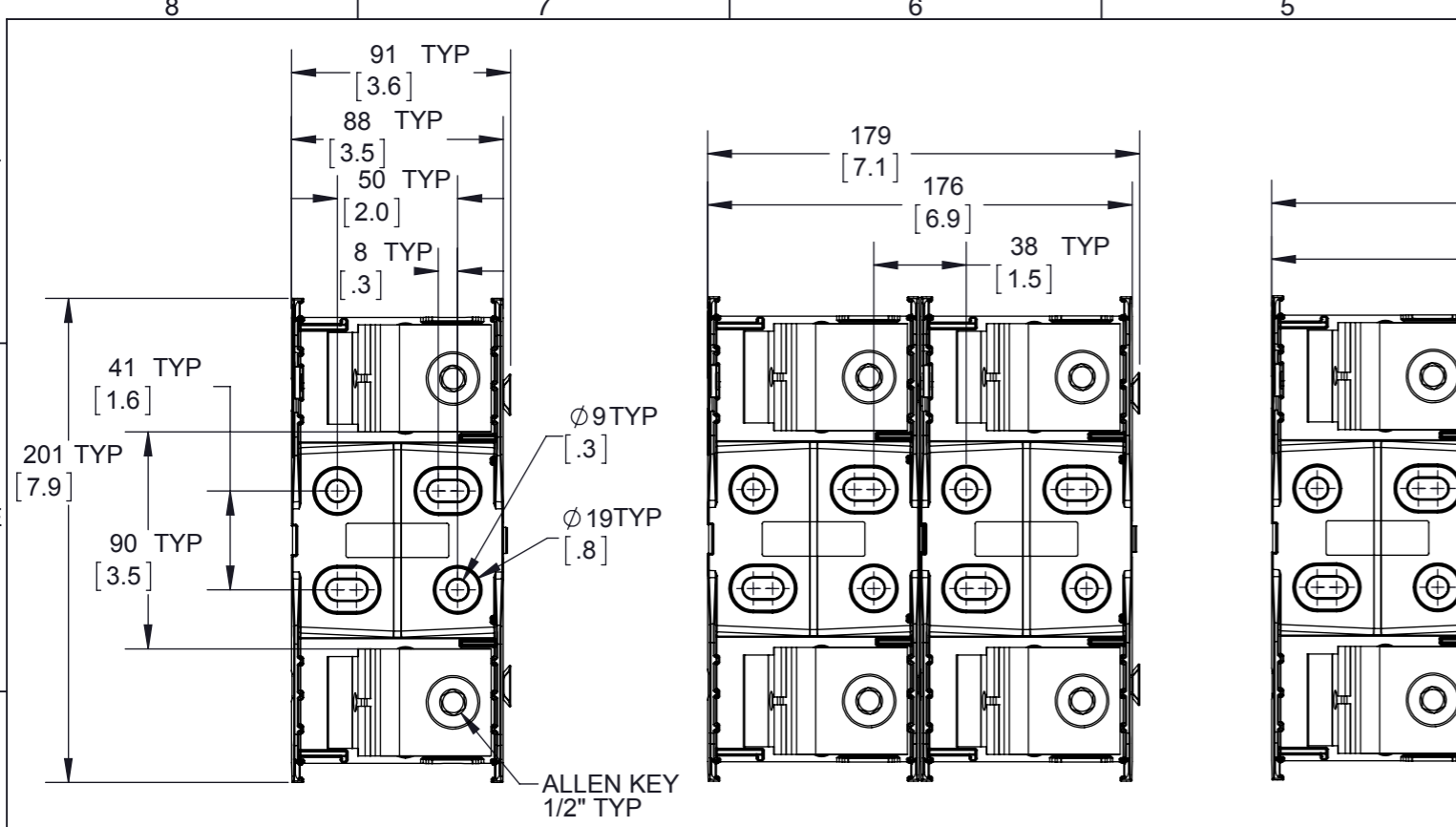
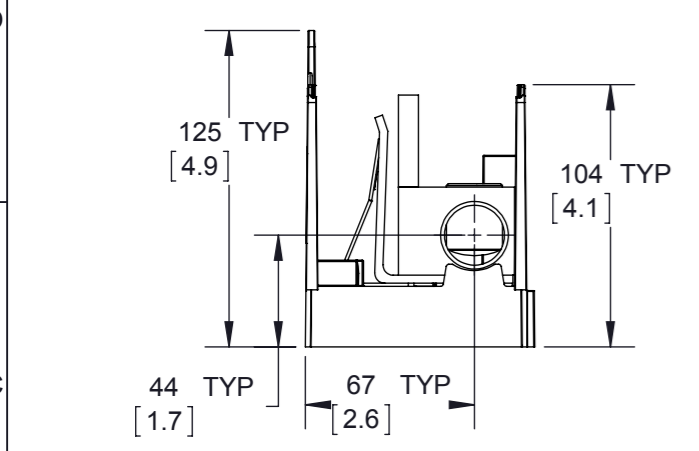


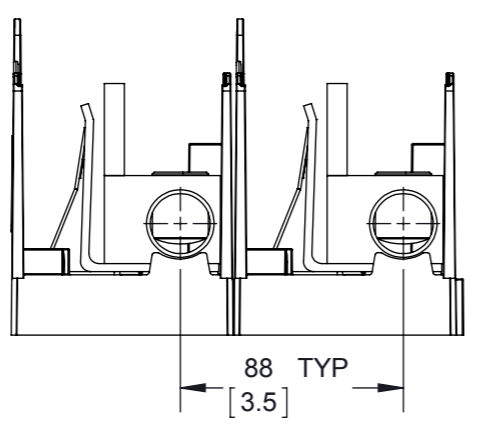
REVISIONS					
REV	ZONE	DESCRIPTION	DATE	ECN	BY
A		INITIAL RELEASE	10/4/13	BU-SB131019	EB
B		ADDED PAGES 3, 4 AND 5	1/20/14		TCB



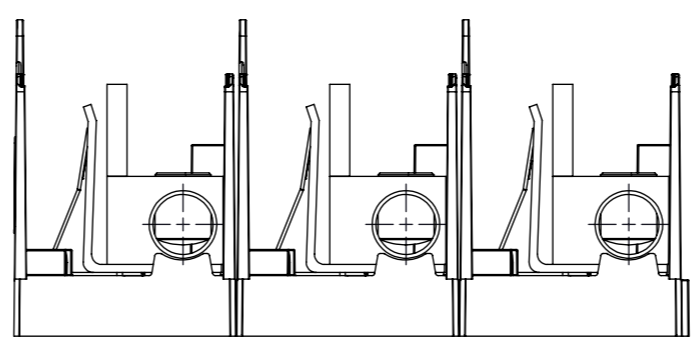
CVR-J-60400-M (COVER NON-INDICATING)  
CVRI-J-60400-M (COVER WITH INDICATION)



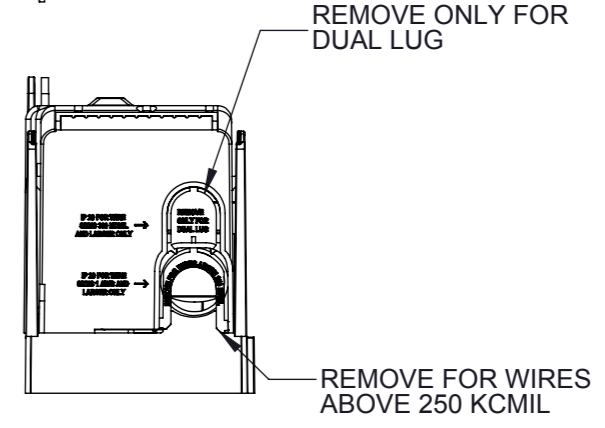
JM60400-1CR



JM60400-2CR

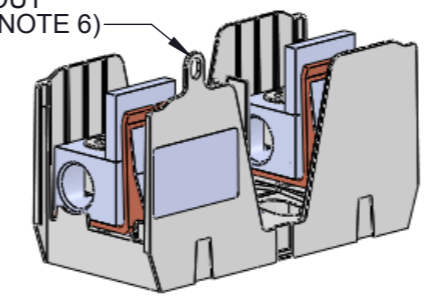


JM60400-3CR

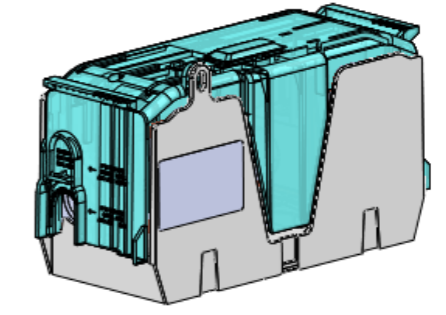


JM60400-1CR (SHOWN WITH COVER)

LOCKOUT-TAGOUT FEATURE (SEE NOTE 6)



3D VIEW FOR JM60400-1CR  
SCALE = NONE



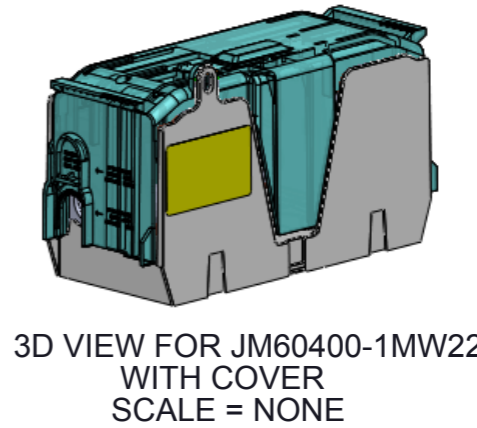
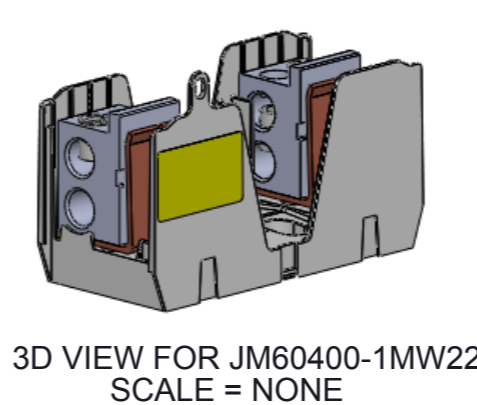
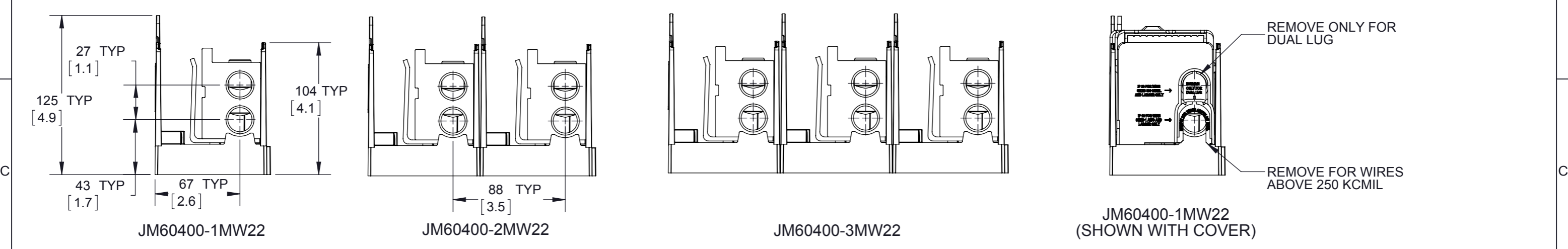
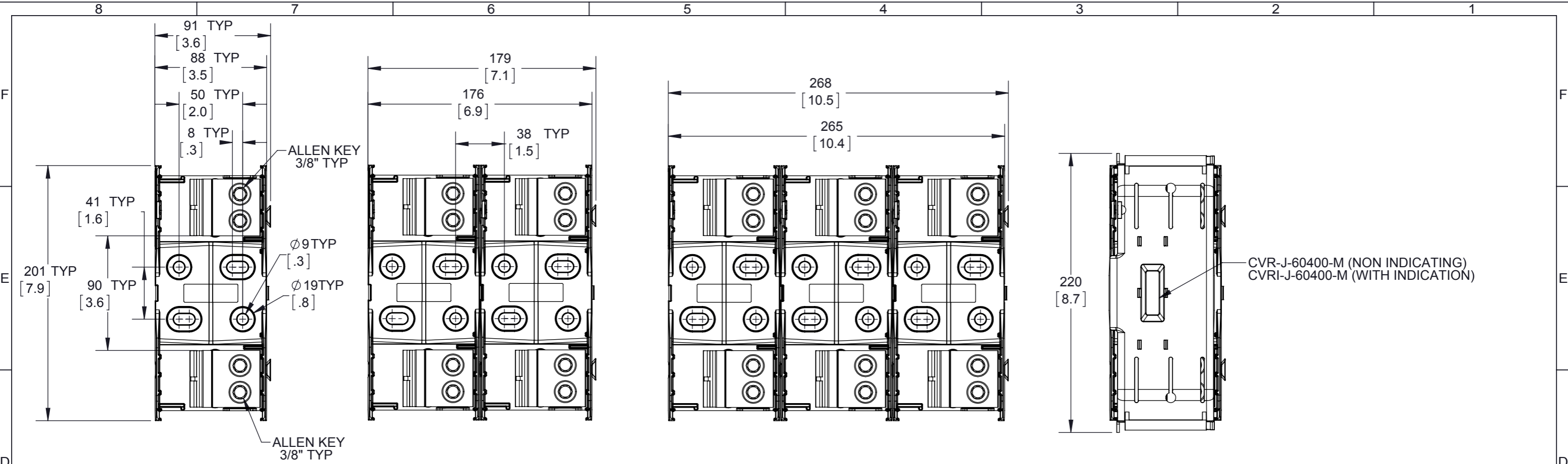
3D VIEW FOR JM60400-1CR  
WITH COVER  
SCALE = NONE

CUSTOMER PRINT

NOTES:

- VOLTAGE RATING: 600V
- AMPERAGE: 400A
- WITHSTAND RATING: 200ka
- WIRE: Cu/Al 75°C / 90°C ONLY
- WIRE RANGE: (1) 600kcmil - 4 AWG Cu/Al  
(2) 3/0 - 4AWG Cu/Al
- USE 4mm DIA. CABLE LOCK OR 1/4" DIA. HASP PADLOCK.

MODEL SOURCE DATA	MODEL VERSION	GENERAL DRAWING PRACTICES IN ACCORDANCE WITH ASME - Y14.100-2004 DIMENSIONS AND TOLERANCES IN ACCORDANCE WITH ASME - Y14.5M-1994	APPROVALS	DATE	
THIS DRAWING IS AN UNCONTROLLED COPY IF PRINTED OR SENT ELECTRONICALLY. DO NOT SCALE DRAWING		UNLESS OTHERWISE SPECIFIED DIMENSIONS ARE IN MILLIMETERS TOLERANCES TO BE ONE PLACE XX ± mm TWO PLACE XX.X ± mm ALL ANGLES XX ± °	ENGINEER	--/------	
CONFIDENTIAL. THE INFORMATION CONTAINED IN THIS DOCUMENT IS THE PROPERTY OF COOPER INDUSTRIES, INC. IT IS NOT FOR PUBLIC DISCLOSURE. POSSESSION OF THE INFORMATION DOES NOT CONVEY ANY RIGHT TO LOAN, SELL, OR DISCLOSE THE INFORMATION. UNAUTHORIZED REPRODUCTION OR USE OF THE INFORMATION IS PROHIBITED. THIS DOCUMENT IS TO BE RETURNED TO COOPER INDUSTRIES, INC. UPON COMPLETION OF THE PURPOSE FOR WHICH IT WAS LOANED OR UPON REQUEST.			DRAWN	--/------	
COPYRIGHT, COOPER INDUSTRIES, INC. THIS IS AN UNPUBLISHED WORK. THE DISCLOSURE OF THIS WORK IS LIMITED TO SELECT PERSONNEL. FURTHER DISSEMINATION OR DISCLOSURE TO THE PUBLIC IS PROHIBITED. THIS UNPUBLISHED WORK IS PROTECTED BY FEDERAL COPYRIGHT LAW AND ALL RIGHTS THEREUNDER ARE RESERVED BY COOPER INDUSTRIES, INC.		SPECIAL CHARACTERISTIC $\diamond (0)$ SIGNIFICANT CHARACTERISTIC $\triangle (0)$	MANUFACTURING ENGINEER	--/------	
		THIRD ANGLE PROJECTION	MATERIAL		TITLE
			FINISH	N/A	600V / 400A CLASS J FUSE BLOCK
					SIZE DWG NO.
					A3 JM60400-SERIES-CP
					SCALE: 1:2
					SHEET 1 OF 5



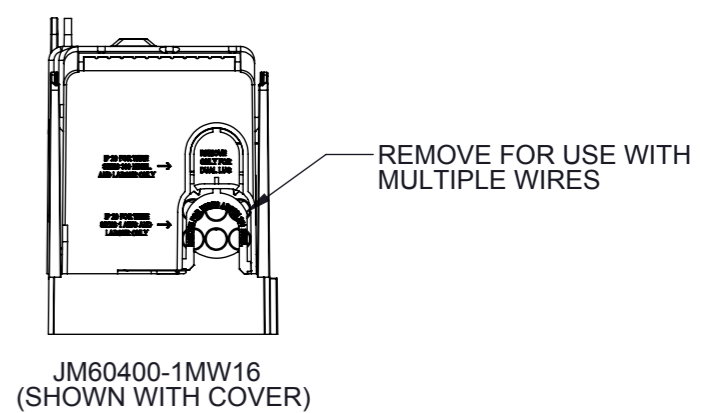
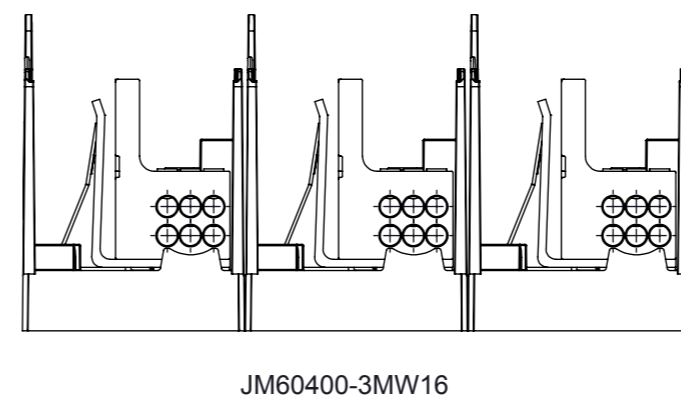
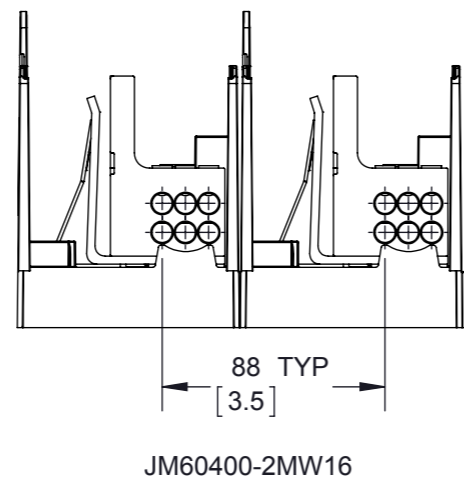
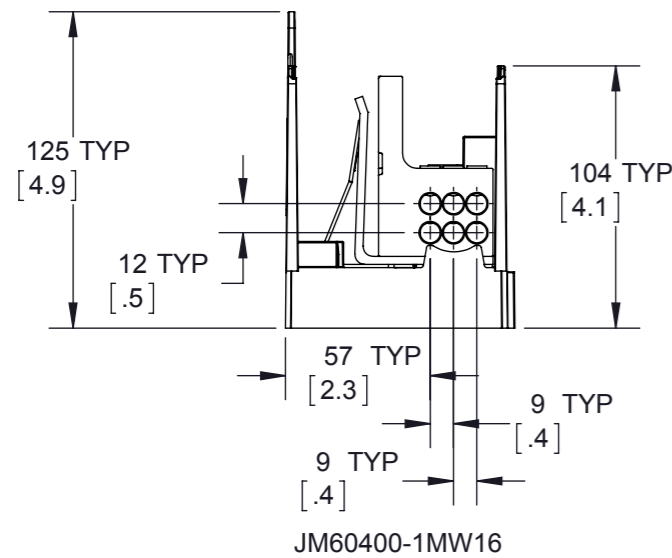
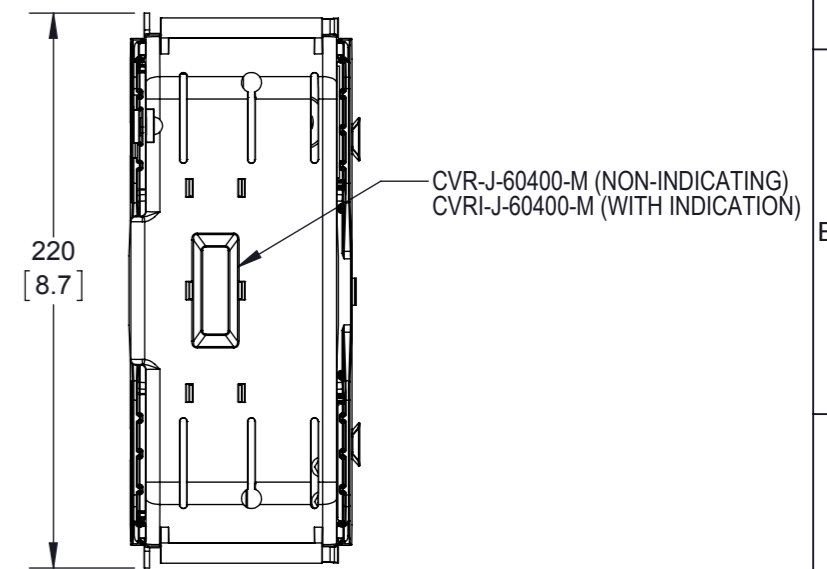
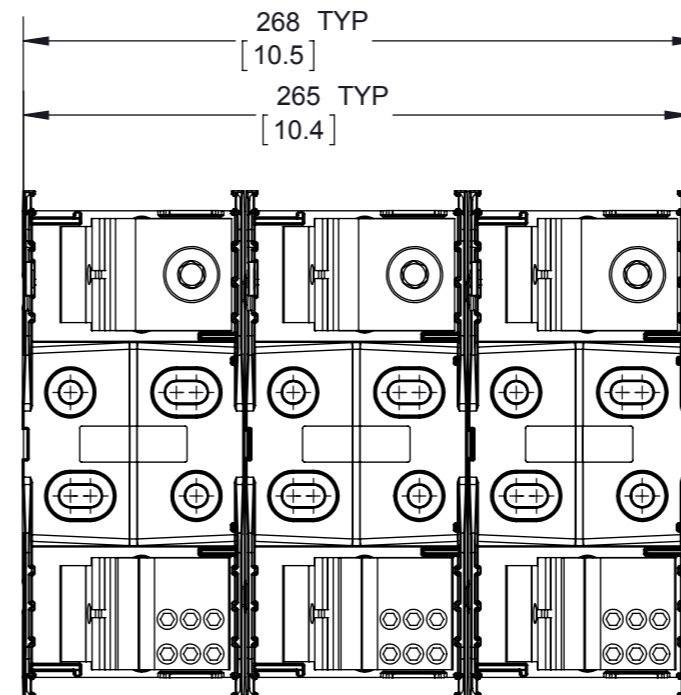
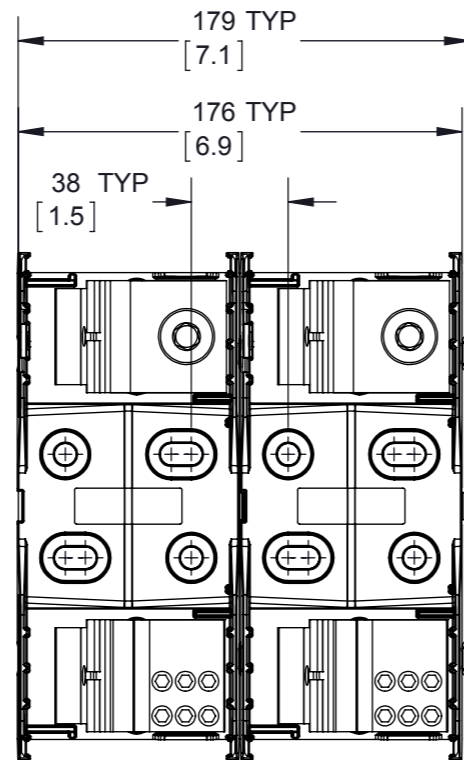
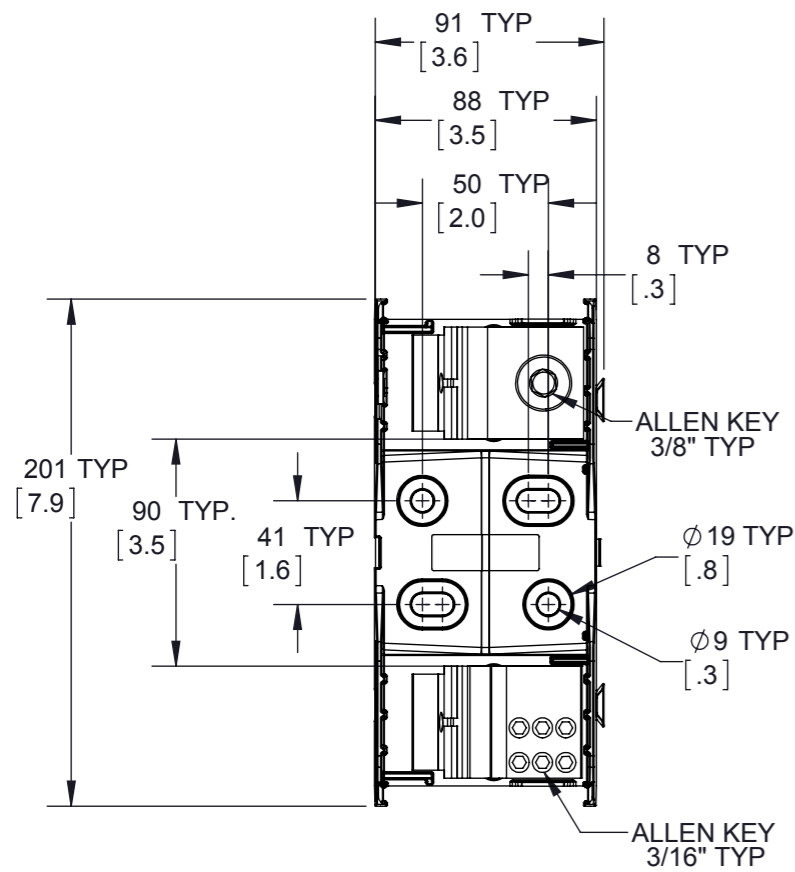
- NOTES:
- VOLTAGE RATING: 600V
  - AMPERAGE: 400A
  - WITHSTAND RATING: 200kA
  - WIRE: Cu/Al 75°C / 90°C ONLY
  - WIRE RANGE: (2) 350kcmil - 6 AWG Cu/Al
  - USE 4mm DIA. CABLE LOCK OR 1/4" DIA. HASP PADLOCK.

CUSTOMER PRINT

**Bussmann**  
by **EATON**

TITLE  
**600V / 400A CLASS J FUSE BLOCK**

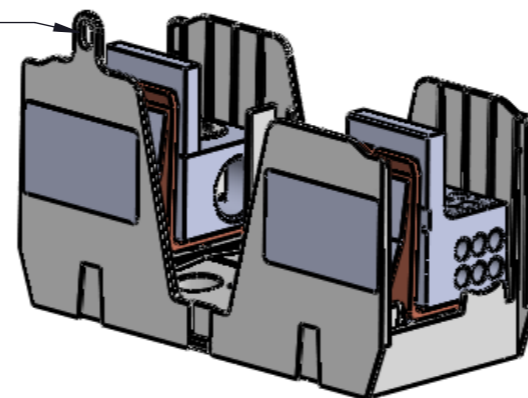
SIZE <b>A3</b>	DWG NO. <b>JM60400-SERIES-CP</b>	REV <b>B</b>
SCALE: 1:2	SHEET 2 OF 5	



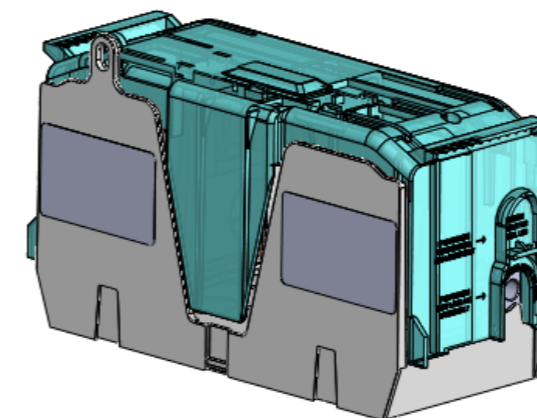
NOTES:

- 13) VOLTAGE RATING: 600V
- 14) AMPERAGE: 400A
- 15) WITHSTAND RATING: 200kA
- 16) WIRE: Cu/Al 75°C
- 17) WIRE RANGE: LINESIDE (1) 600KCMIL - 4 AWG Cu/Al  
LOADSIDE (6) 2 AWG - 14 AWG Cu  
(6) 2 AWG - 8 AWG Al  
(12) 8 AWG - 14 AWG Cu  
(12) 8 AWG Al
- 18) USE 4mm DIA. CABLE LOCK OR 1/4" DIA. HASP PADLOCK.
- 19) SEE PAGE 2 FOR LINESIDE DIMENSIONS.

LOCKOUT-TAGOUT FEATURE (SEE NOTE 18)



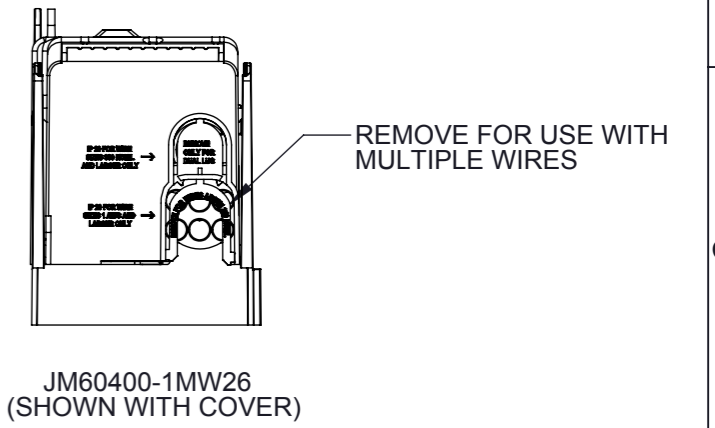
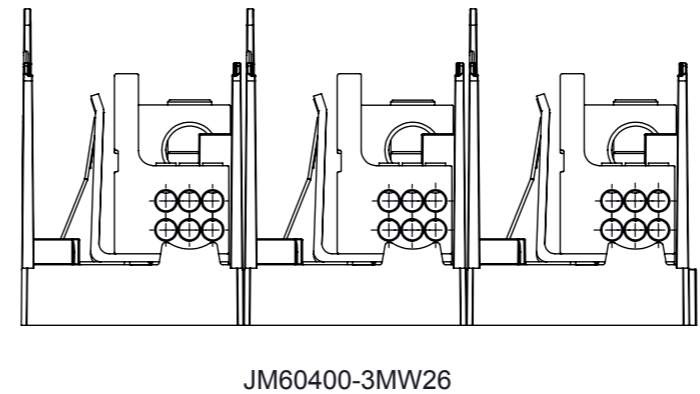
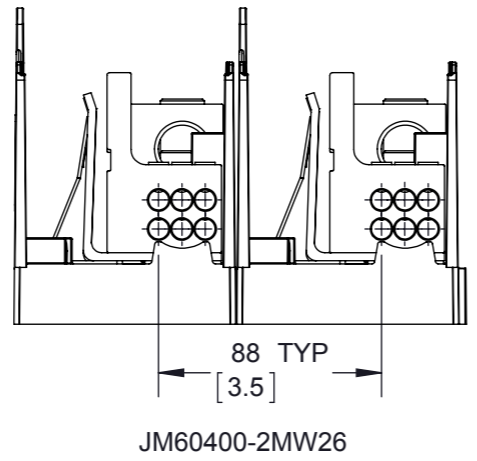
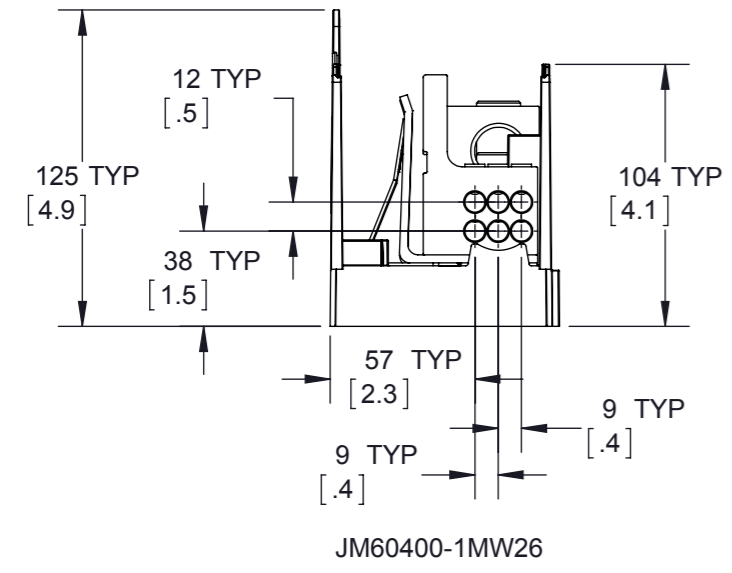
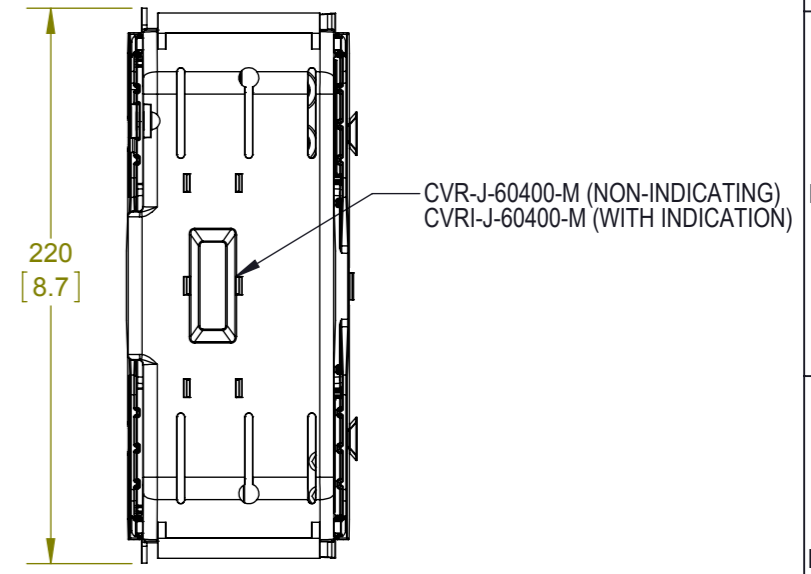
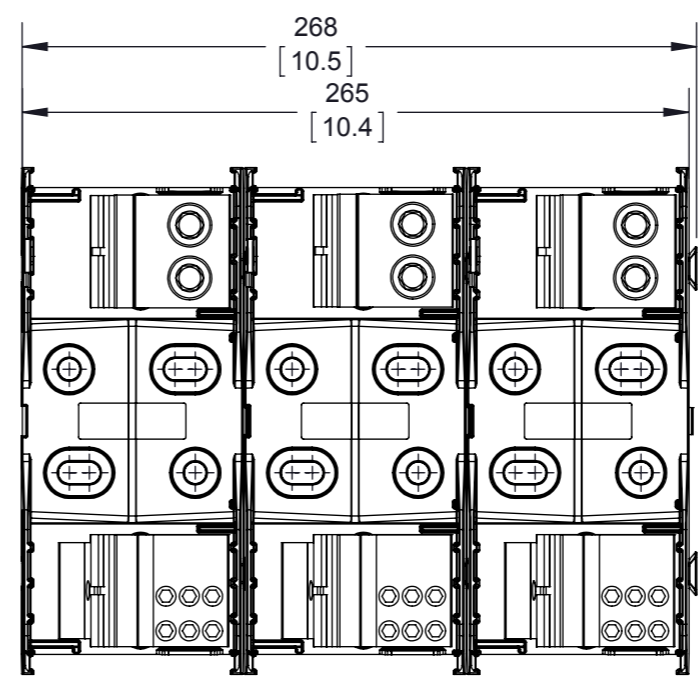
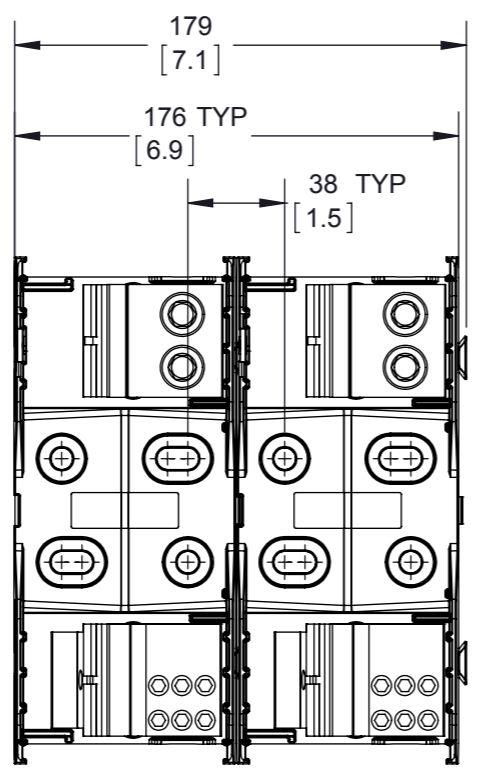
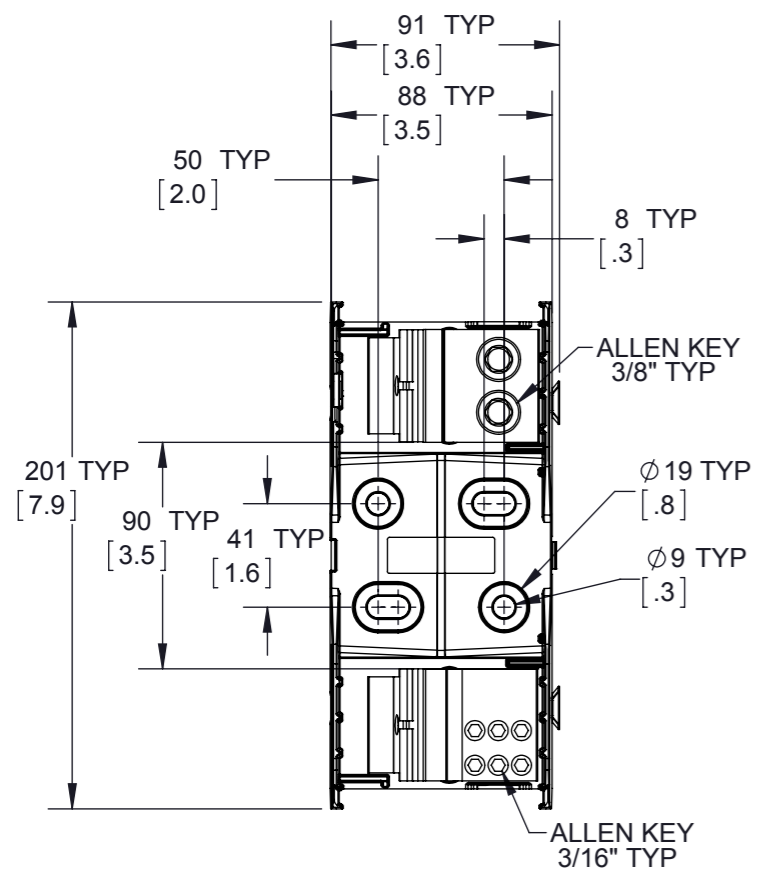
3D VIEW FOR JM60400-1MW16  
SCALE = NONE



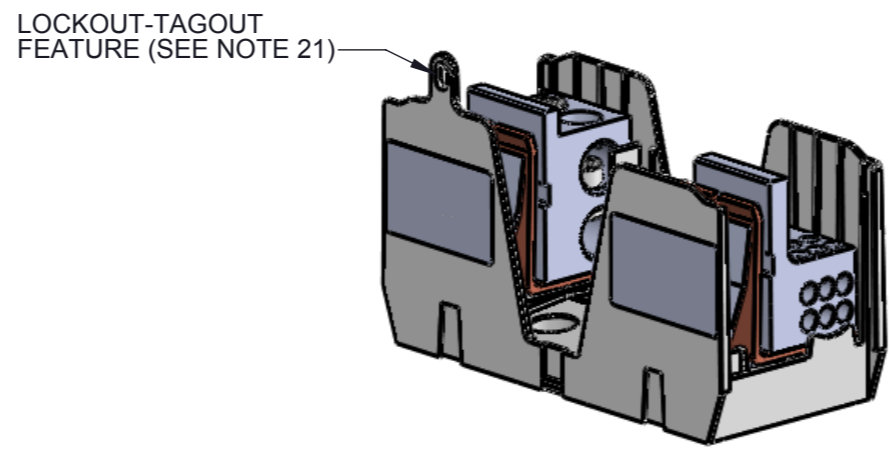
3D VIEW FOR JM60400-1MW16  
(SHOWN WITH COVER)  
SCALE = NONE

CUSTOMER PRINT

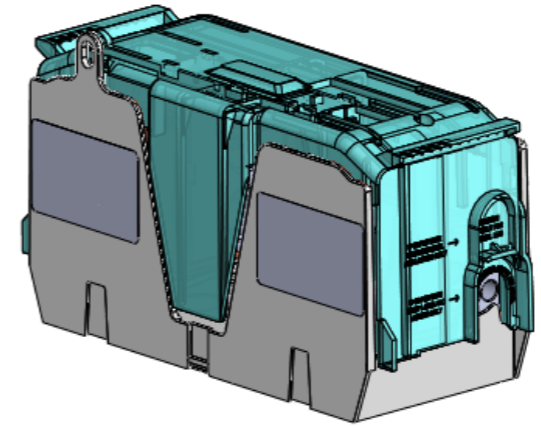
<b>Bussmann</b> by <b>EATON</b>		
TITLE <b>600V / 400A CLASS J FUSE BLOCK</b>		
SIZE <b>A3</b>	DWG NO. <b>JM60400-SERIES-CP</b>	REV <b>B</b>
SCALE: 1 : 3	SHEET 3 OF 5	



- NOTES:
- 16) VOLTAGE RATING: 600V
  - 17) AMPERAGE: 400A
  - 18) WITHSTAND RATING: 200kA
  - 19) WIRE: Cu/Al 75°C
  - 20) WIRE RANGE: LINESIDE (2) 350kcmil - 6 AWG Cu/Al  
LOADSIDE (6) 2 AWG - 14 AWG Cu  
(6) 2 AWG - 8 AWG Al  
(12) 8 AWG - 14 AWG Cu  
(12) 8 AWG Al
  - 21) USE 4mm DIA. CABLE LOCK OR 1/4" DIA. HASP PADLOCK.
  - 22) SEE PAGE 2 FOR LINESIDE DIMENSIONS.



3D VIEW FOR JM60400-1MW26  
SCALE = NONE



3D VIEW FOR JM60400-1MW26  
(SHOWN WITH COVER)  
SCALE = NONE

CUSTOMER PRINT

**Bussmann**  
by **EATON**

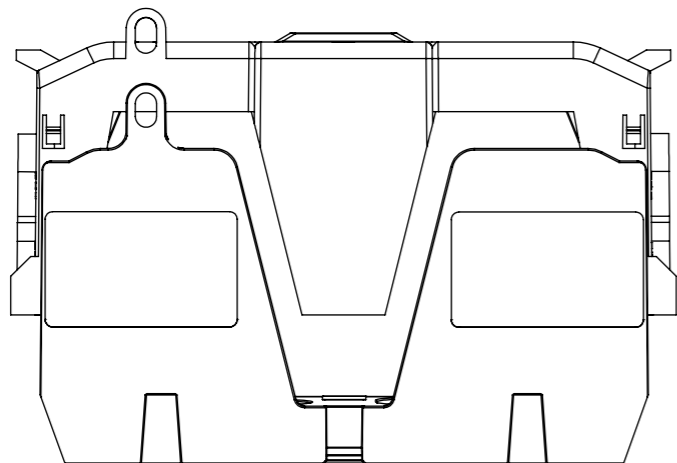
TITLE  
**600V / 400A CLASS J FUSE BLOCK**

SIZE <b>A3</b>	DWG NO. <b>JM60400-SERIES-CP</b>	REV <b>B</b>
SCALE: 1 : 3		SHEET 4 OF 5

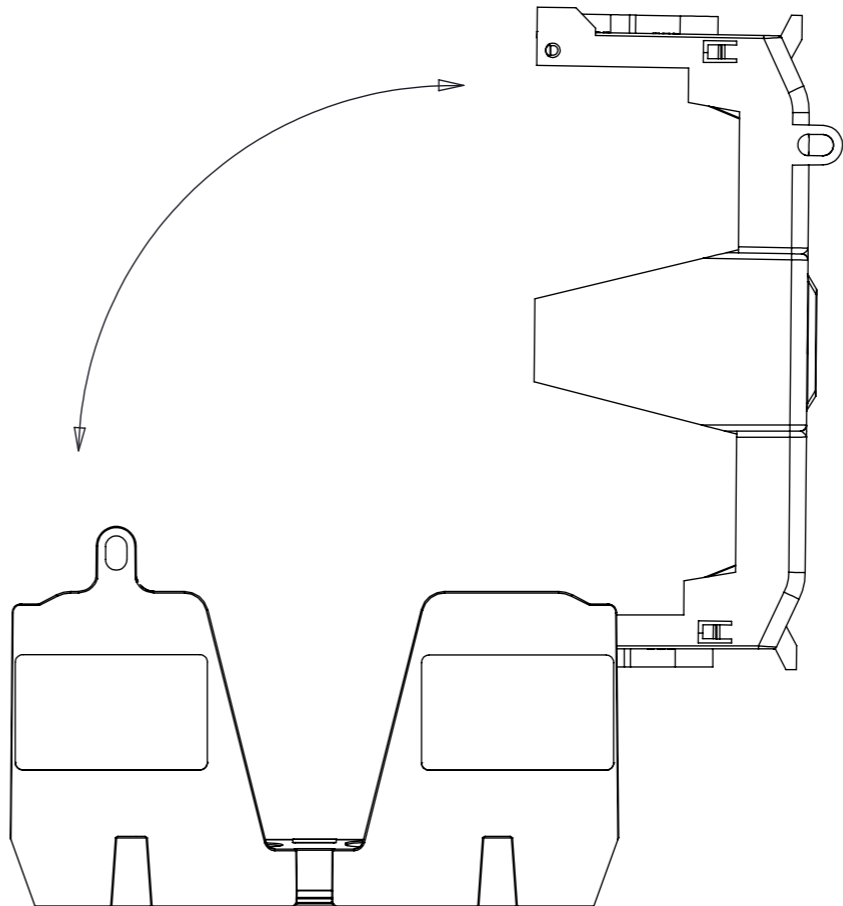
8 7 6 5 4 3 2 1

F  
E  
D  
C  
B  
A

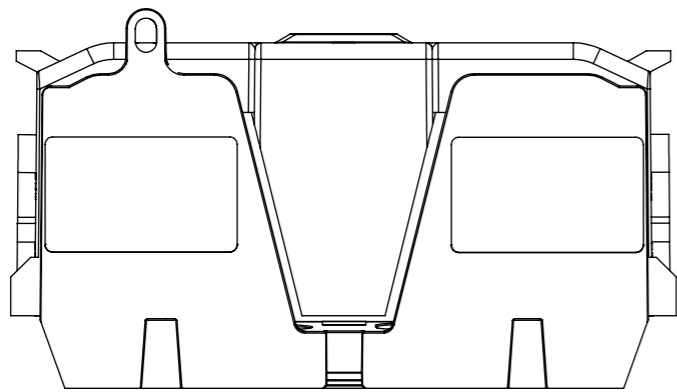
F  
E  
D  
C  
B  
A



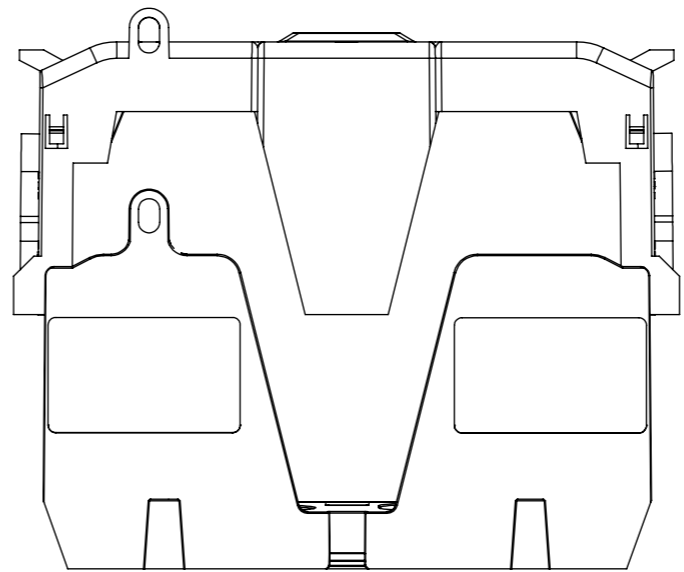
**PUSH DOWN**



**LIFT UP.  
THEN ROTATE COVER.**



**LIFT UP**



CUSTOMER PRINT

**Bussmann**  
by **E.T.N.**

TITLE  
**600V / 400A CLASS J FUSE BLOCK**

SIZE: **A3** DWG NO.: **JM60400-SERIES-CP** REV: **B**

SCALE: 1:2.5 SHEET 5 OF 5

8 7 6 5 4 3 2 1

SLA3\_BUSSMANE\_GEPER\_REV\_A