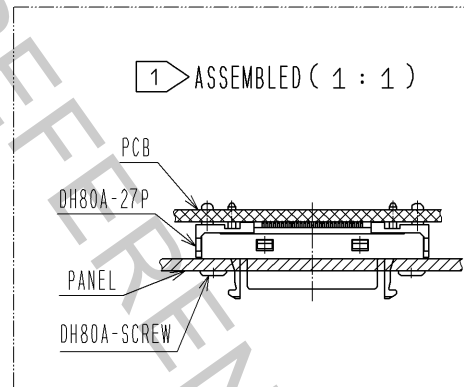


NOTE ① THIS PRODUCT IS ASSEMBLED TO A 'DH80A-**P'
 THE APPLICABLE PANEL THICKNESS IS MAX 1.6mm
 2 THIS PRODUCT IS PACKED IN A BAG. (QUANTITY IN A BAG :200pcs.)



1	STEEL	NICKEL						
NO.	MATERIAL	FINISH	REMARKS	NO.	MATERIAL	FINISH	REMARKS	
UNITS mm		SCALE 4 : 1	COUNT 	DESCRIPTION OF REVISIONS		DESIGNED	CHECKED	DATE
HIROSE ELECTRIC CO., LTD.	APPROVED	: AO. SUZUKI	11. 04. 11	DRAWING NO.		EDC4-127363-00		
	CHECKED	: KN. ICHIKAWA	11. 04. 11	PART NO.		DH80A-SCREW		
	DESIGNED	: MO. SHIMOYAMA	11. 04. 11	CODE NO.		CL244-0059-4-00		
	DRAWN	: MO. SHIMOYAMA	11. 04. 11			1/1		