

4

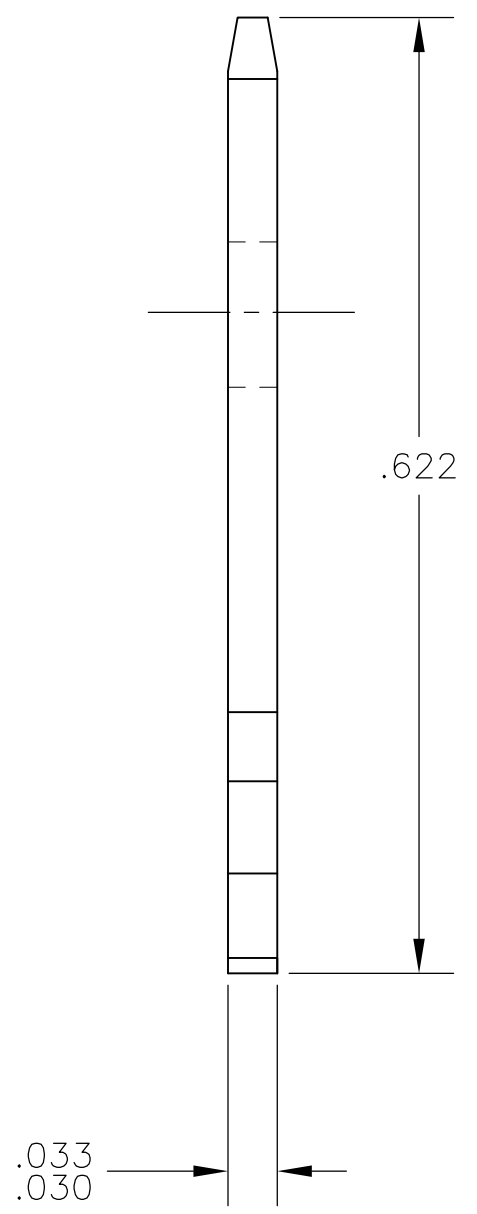
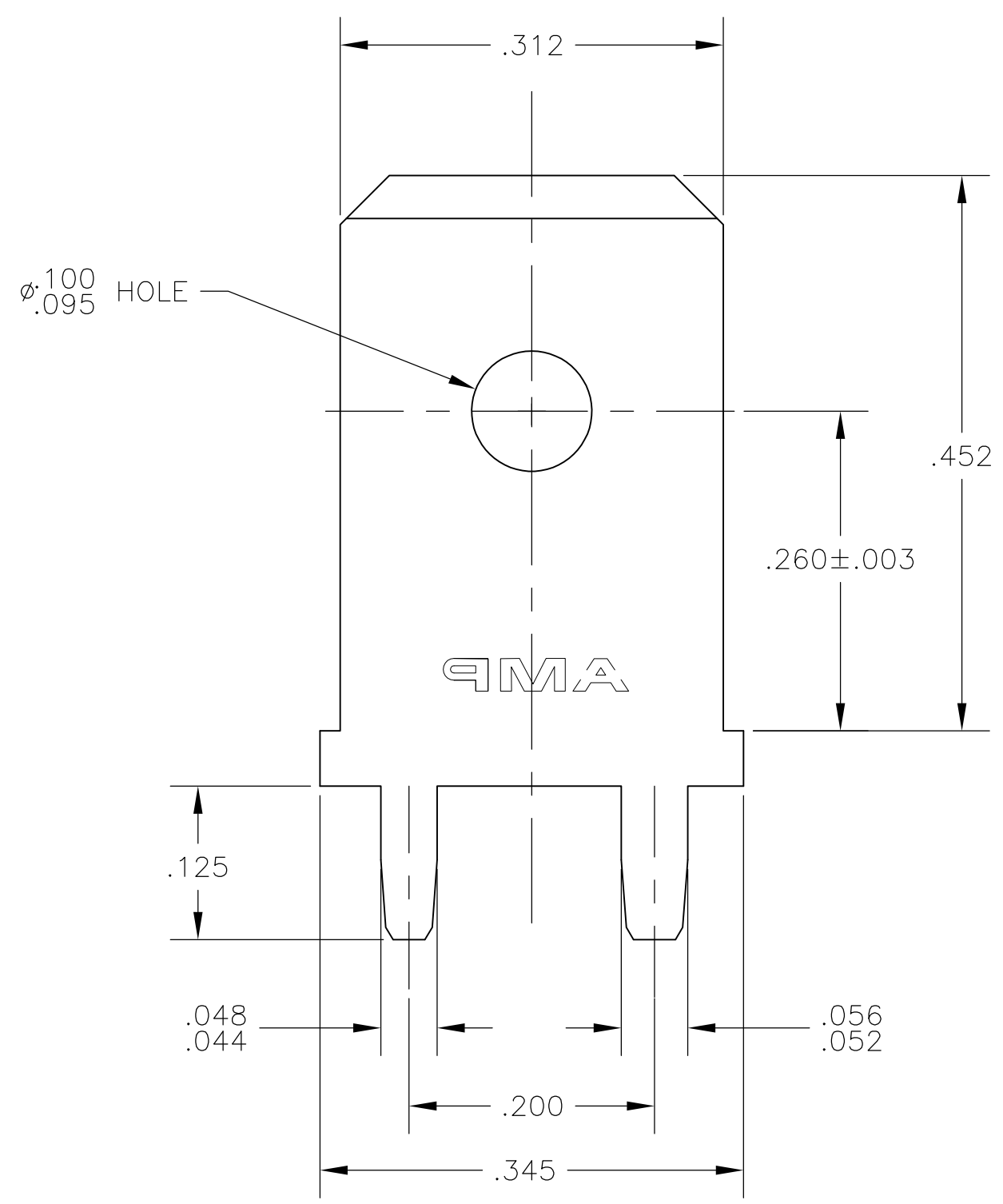
3

2

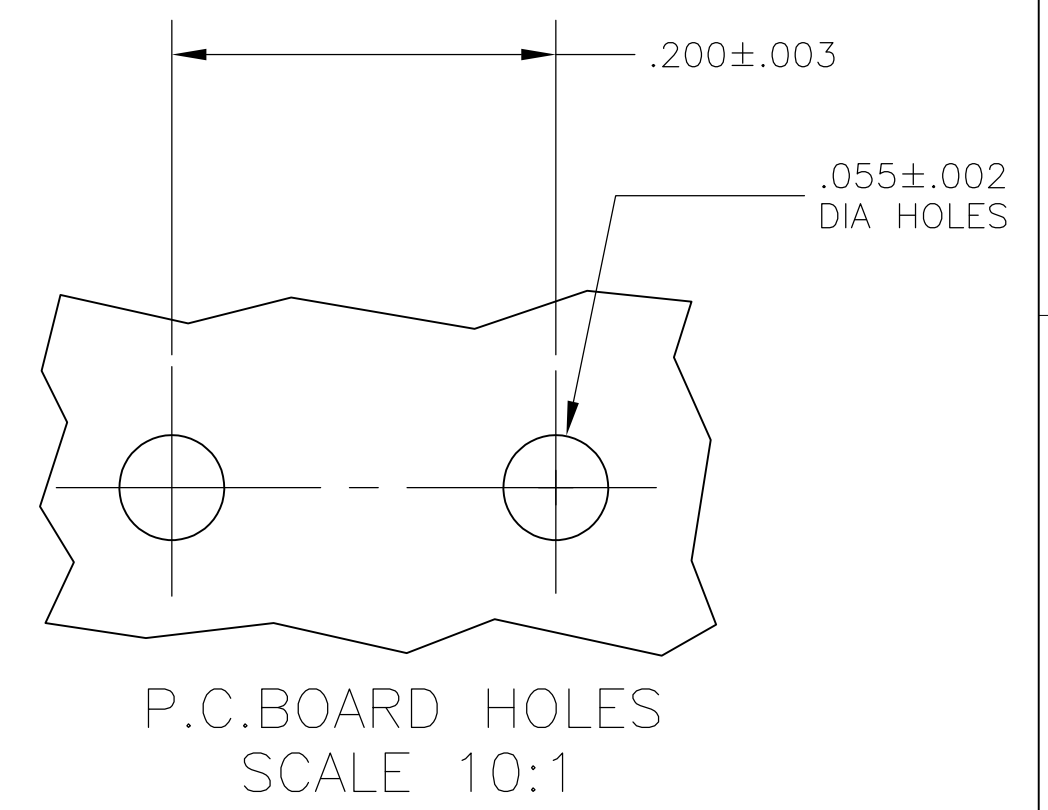
1

THIS DRAWING IS UNPUBLISHED. RELEASED FOR PUBLICATION  
 © COPYRIGHT - By - ALL RIGHTS RESERVED.

LOC	DIST	REVISIONS			
P	LTR	DESCRIPTION	DATE	DWN	APVD
AF	50	E	REVISED PER ECR-13-011489	12DEC2013	KH PD



1 SUPPLIED IN LOOSE PIECE  
 2  $\triangle$  .000150 MIN TIN OVER  
 .000100 MIN THK COPPER.



1217956-1  
 PART NUMBER

THIS DRAWING IS A CONTROLLED DOCUMENT.		DWN	JR RUTH	19MAY03	<b>STE</b> TE Connectivity	
DIMENSIONS: INCHES		CHK	P DESANTIS	19MAY03		
TOLERANCES UNLESS OTHERWISE SPECIFIED:		APVD	P DESANTIS	19MAY03	NAME	
0 PLC $\pm -$		PRODUCT SPEC			TAB, FASTON, PC BOARD, .312 SERIES	
1 PLC $\pm -$		APPLICATION SPEC			RESTRICTED TO	
2 PLC $\pm .010$		SIZE	A3	CAGE CODE	00779	DRAWING NO
3 PLC $\pm -$		WEIGHT		C-1217956		SCALE
4 PLC $\pm -$		CUSTOMER DRAWING		SCALE		8:1
ANGLES $\pm -$		SHEET		1 OF 1		REV
FINISH		TIN OVER COPPER		E		