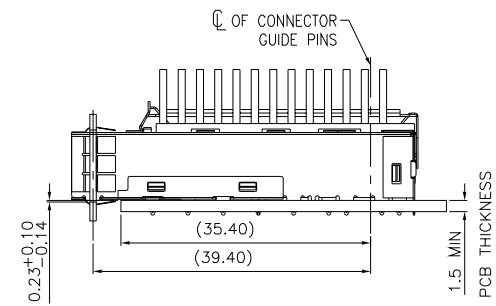
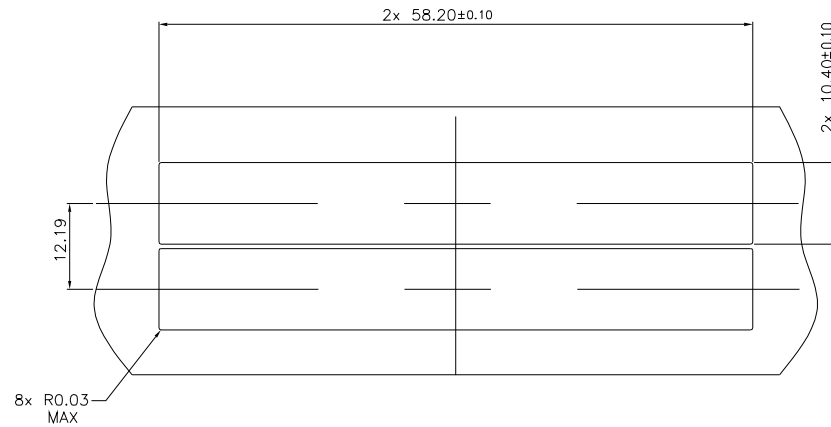


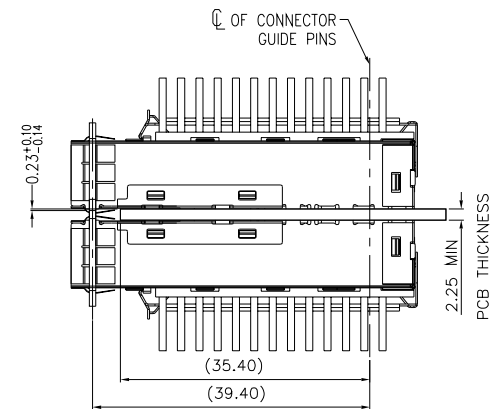
RECOMMENDED BEZEL CUT-OUT SINGLE SIDED APPLICATIONS



MOUNTED ON PC BOARD SHOWN THRU RECOMMENDED BEZEL



RECOMMENDED BEZEL CUT-OUT BELLY TO BELLY APPLICATIONS



MOUNTED BELLY TO BELLY ON PC BOARD SHOWN THRU RECOMMENDED BEZEL

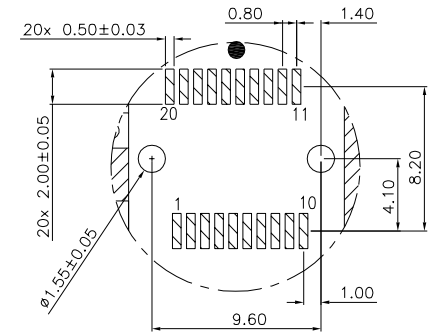
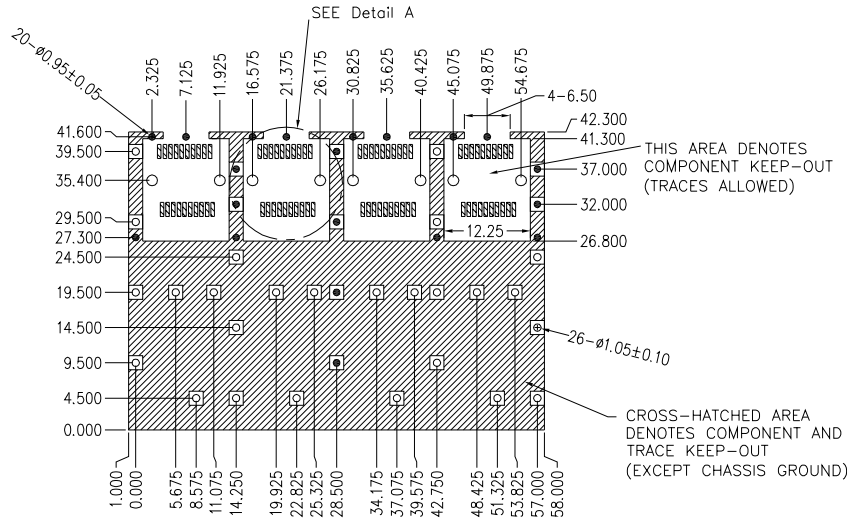


Copyright FCI.

spec ref	RELEASE			dr	Art Lin	2014-01-14	projection 	size A4	scale 1:1						
tolerance std	TOLERANCES UNLESS OTHERWISE SPECIFIED			eng	Zhen Luo	2014-01-14									
ISO406 ISO1101				chr	Collins Lu	2014-01-15									
surface	linear	0.X	±0.25	FCI	title	SFP+ 1X4 CAGE ASSEMBLY EMI SPRING TYPE PRESS FIT WITH HEATSINK	product family	SFP+	ecn no						
ISO1302		0.XX	±0.20							www.fci.com	cat. no.	-	Product-Customer Drw	rel level	Released
		0.XXX	±0.15												
	angular	0°	±0.5°					C							

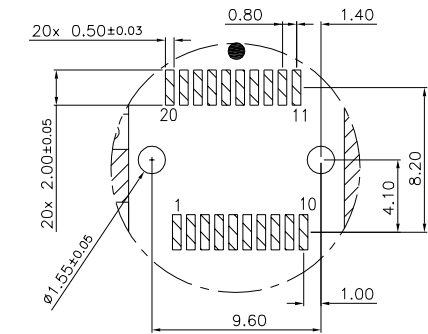
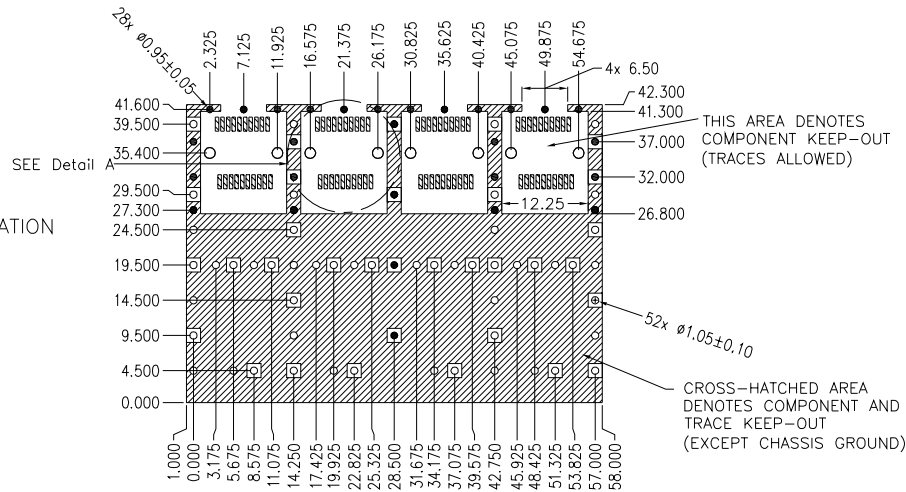
Proj/E File - REV C - 2009-06-09

RECOMMENDED PCB CONFIGURATION
WITH KEEP-OUT AREAS
SINGLE SIDED APPLICATIONS



Detail A
SCALE 2.5:1

RECOMMENDED PCB CONFIGURATION
WITH KEEP-OUT AREAS
BELLY TO BELLY APPLICATIONS



Detail A
SCALE 2.5:1



Copyright FCI.

spec ref	RELEASE			dr	Art Lin	2014-01-14	projection 	size A4	scale 1:1
tolerance std	TOLERANCES UNLESS OTHERWISE SPECIFIED			eng	Zhen Luo	2014-01-14			
ISO406 ISO1101				chr	Collins Lu	2014-01-15			
surface	linear	0.X	±0.25	FCI	title	SFP+ 1X4 CAGE ASSEMBLY EMI SPRING TYPE PRESS FIT WITH HEATSINK	product family	SFP+	ecn no
ISO1302		0.XX	±0.20						
	angular	0°	±0.5°						
									rev
									C
									sheet 3 of 3