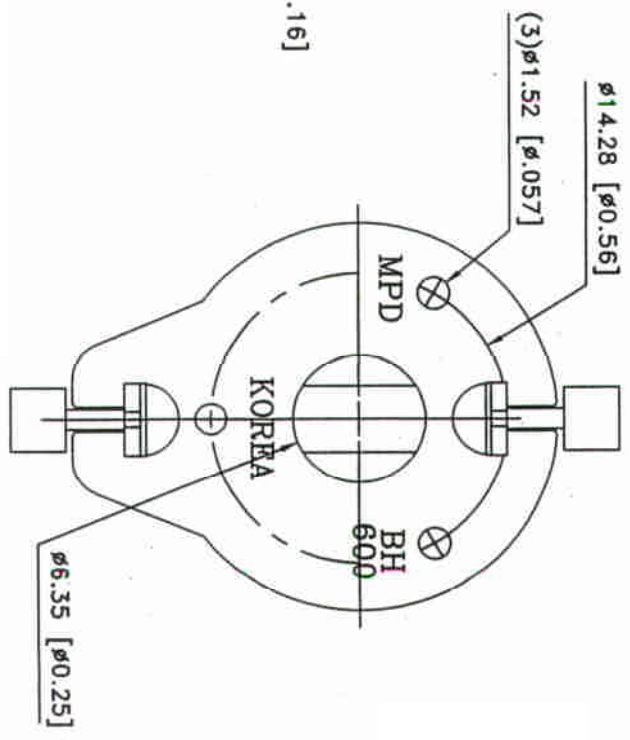
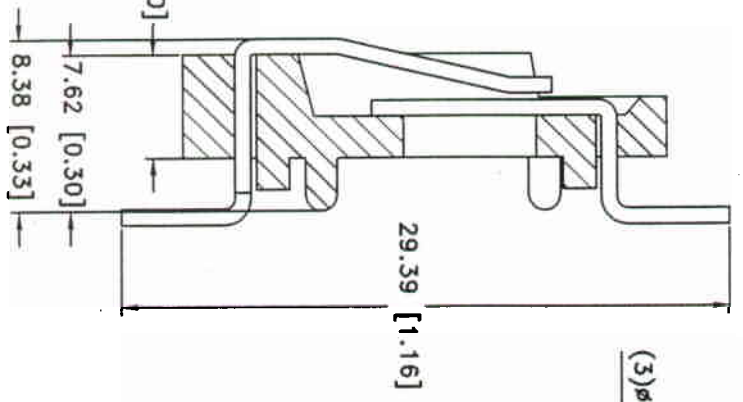
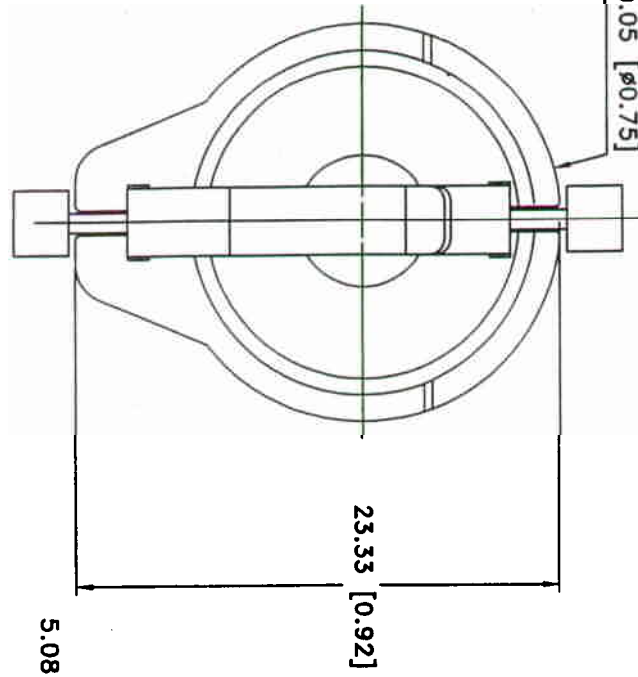
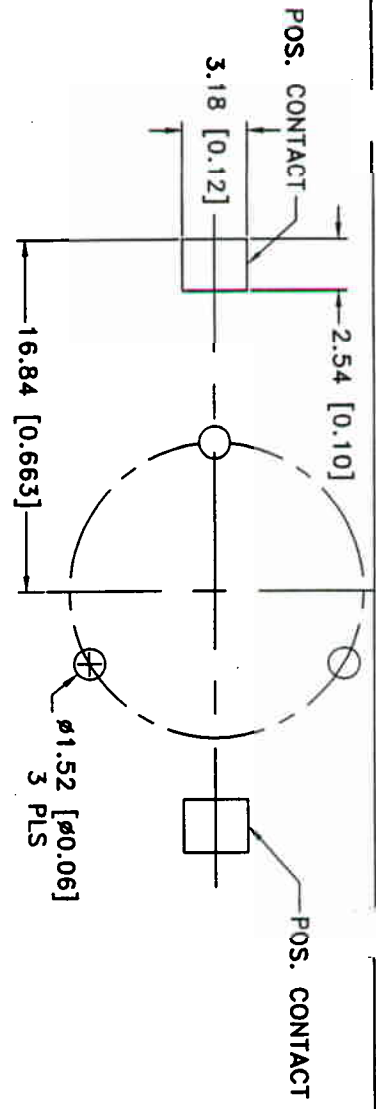



Date	SYM	REVISION	RECORD	AUTH	DR.	CK.



SPECIFICATIONS

- *Holder material—thermoplastic, black PBT
- *Flammability rating—UL94V-0, File No.88499(M)
- *Contacts—302 spring temper stainless steel nickel plated overall
- *Dielectric strength—560volts/mil at 25°C for 5seconds
- *Temperature range— -55° to +180°C
- *Resistance to solvents—Xylene,ethyl,butyl,methyl&propyl alcohol;ethyl acetate,heptane,toluene;refrigerant

Tolerance (Except as noted)		 Memory Protection Devices, Inc 200 Broad Hollow Road, Farmingdale, New York 11735
decimal	±.5 (.020)	
Fractional	±.8 (.030)	Title
Angular	± 3°	BR/CR/DL 1620/1632 COIN BATTERY HOLDER
		Date
		11/03/01
		Drawing Number
		BH600SM
		Scale
		Drawn By B.S.
		Approved By T.B.