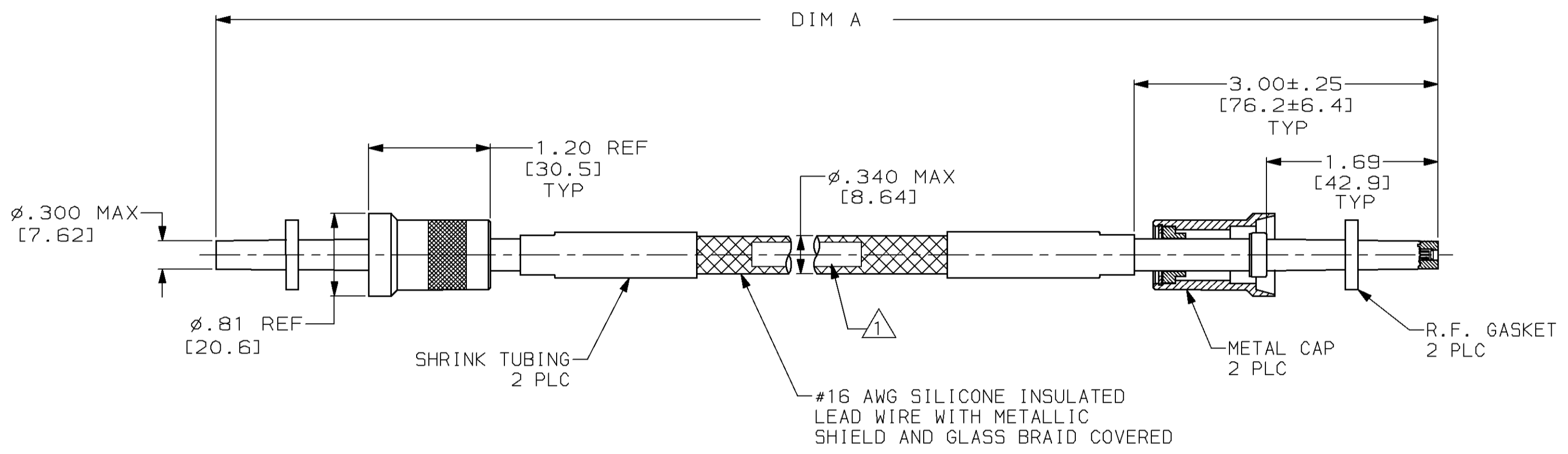


THIS DRAWING IS UNPUBLISHED.
 RELEASED FOR PUBLICATION
 BY AMP INCORPORATED. ALL RIGHTS RESERVED.

LOC	DIST	REVISIONS			
P	LTR	DESCRIPTION	DATE	DWN	APVD
DF	SO	M	REV & REDRAWN; 0600-7293-98	4-98	CT SG



- 1. PART MARKED IN THIS AREA.
- 2. TOLERANCE: UP TO 24.00 [609.6] - ±.12 [±3.0]
24.00 [609.6] AND UP - ±1%
- 3. TO MATE WITH AMP LGH-1L RECEPTACLE WITH 1.69 [42.9] BARREL DEPTH.

OBSOLETE	540.00 [13716.0]	1-830473-5
OBSOLETE	420.00 [10668.0]	1-830473-4
OBSOLETE	10.00 [254.0]	1-830473-3
OBSOLETE	16.00 [406.4]	1-830473-2
	120.00 [3048.0]	1-830473-1
OBSOLETE	180.00 [4572.0]	1-830473-0
	72.00 [1828.8]	830473-9
OBSOLETE	20.00 [508.0]	830473-8
	48.00 [1219.2]	830473-7
OBSOLETE	30.00 [762.0]	830473-6
OBSOLETE	36.00 [914.4]	830473-5
OBSOLETE	50.00 [1270.0]	830473-4
OBSOLETE	24.00 [609.6]	830473-3
OBSOLETE	18.00 [457.2]	830473-2
OBSOLETE	12.00 [304.8]	830473-1
DIM A		PART NUMBER

THIS DRAWING IS A CONTROLLED DOCUMENT.		DWN C. C. THOMAS 4/27/98	AMP Incorporated Harrisburg, PA 17105-3608	
DIMENSIONS: INCHES [mm]		CHK S. GLATFELTER		
TOLERANCES UNLESS OTHERWISE SPECIFIED: 0 PLC ±- 1 PLC ±- 2 PLC ±.03 [0.8] 3 PLC ±- 4 PLC ±- ANGLES ±- FINISH -		PRODUCT SPEC -	APPLICATION SPEC -	NAME -
MATERIAL -		WEIGHT -	SIZE A2	CAGE CODE 00779
		CUSTOMER DRAWING	DRAWING NO 830473	RESTRICTED TO -
		SCALE 1:1	SHEET 1 OF 1	REV M